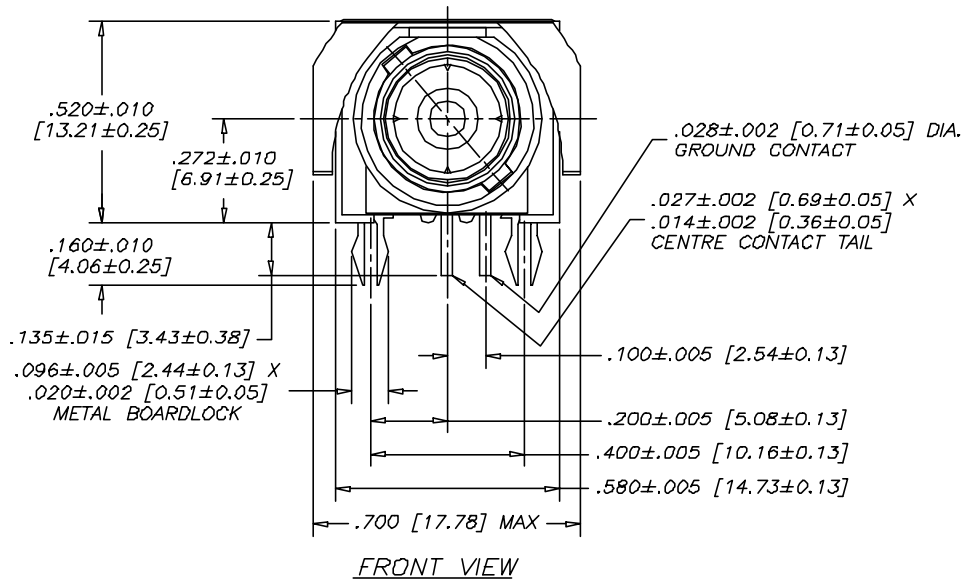
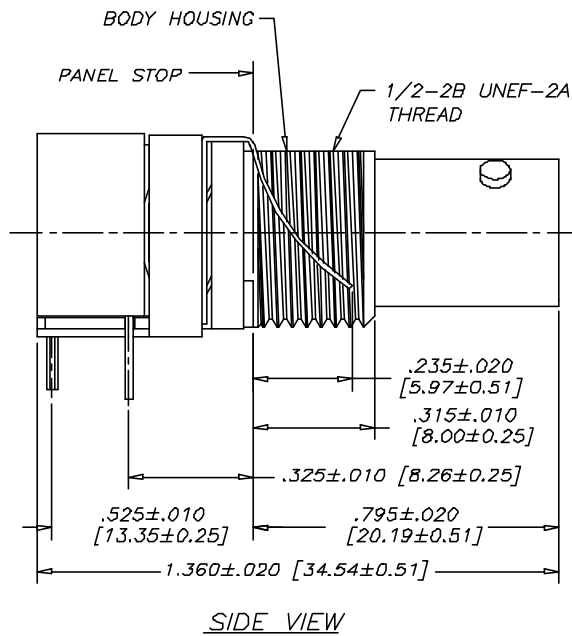


REVISIONS				
SYM	ZONE	EGN, ERN NO.	DATE	APPRD.
H		PRODUCT DRAWING	00/01/26	K.L.

THIS IS A CAD DRAWING. DO NOT MANUALLY REVISE!



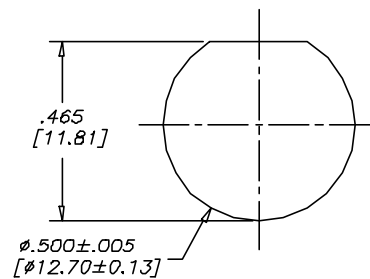
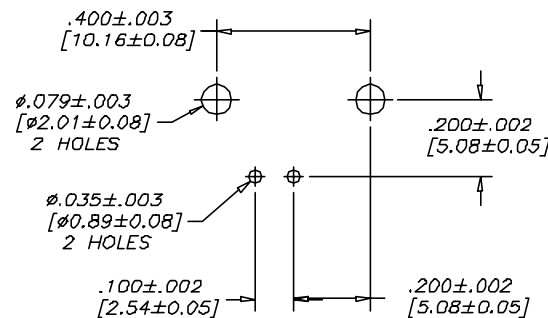
MECHANICAL SPECIFICATION:

- BODY HOUSING : THERMOPLASTIC POLYESTER
- PANEL GROUND SPRING: COPPER ALLOY, TIN PLATED
- CENTER CONTACT : PHOSPHOR BRONZE, 10 MICROINCHES [0.25 MICRONS] GOLD PLATED OVER NICKEL ON MATING AREA AND TIN ON PCB TAILS.
- METAL BODY : HIGH STRENGTH ZINC DIECAST NICKEL PLATED

ELECTRICAL SPECIFICATION: (TYPICAL 10,000 pF)

CAPACITANCE	10000 pF ± 15%
DIELECTRIC WITHSTANDING VOLTAGE	1000 VDC 500 V RMS
WORKING VOLTAGE	200 VDC
IMPEDANCE (SEE PART NUMBER)	50 OR 75 OHM NOMINAL
OPERATING TEMPERATURE	-20°C TO +85°C

NOTE: BOARDLOCKS ARE ELECTRICALLY CONNECTED TO THE METAL BODY.



AMPHENOL PART NO.	IMPEDANCE
456-117	50 OHM
456-717	75 OHM

DRAWN I.ESSAJEE	DATE 02/08/26
CHECKED	
DESIGNED F.BRIONES	02/08/26
APPROVED	
INDUSTRIAL ENG. APPRD.	
ENGINEERING RELEASE NO.	
REF.	
DIMENSIONS ARE IN INCHES[mm]	CODE IDENT. NO. 03554

Amphenol Canada Corp.

TITLE 456 SERIES CAPACITIVELY DECOUPLED B.N.C. CONNECTOR, RIGHT ANGLE (10,000 pF)

DWG	DRAWING NO. P-456-X17	REV. H
SCALE	N.T.S.	SHEET 1 OF 1

THIS DOCUMENT CONTAINS PROPRIETARY INFORMATION AND SUCH INFORMATION MAY NOT BE DISCLOSED TO OTHERS FOR ANY PURPOSE OR USED FOR MANUFACTURING PURPOSES WITHOUT WRITTEN PERMISSION FROM AMPHENOL CANADA CORP.