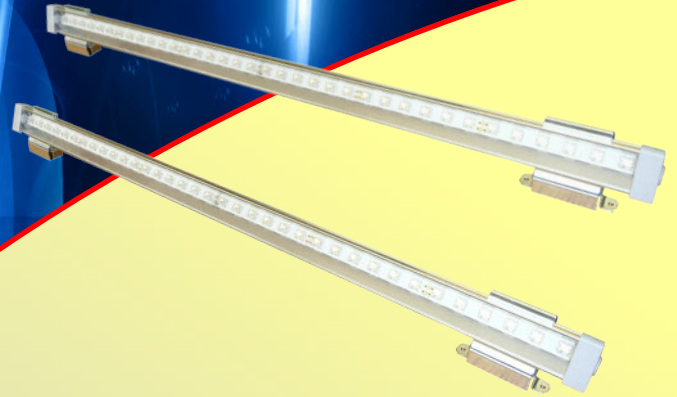


OMC

The UK's LED experts since 1984



Multi-angle LED Tube Light

Compact, low voltage LED lighting fixtures with a slim profile and multi-angle mounting brackets. The advanced lens-reflector combination provides extremely bright and uniform illumination with a power consumption of less than 2.9W per foot, and each fixture has a life expectancy of 50,000 hours. Can be used as a long life, low energy alternative to fluorescent sources in applications such as vending machines, freezers and refrigerators, CNC machinery, corridor illumination, food cabinets as well as for architectural and point-of-sale lighting.



- Very low power consumption
- Ultra bright, uniform illumination
- Easy to install, range of fixings
- Adjustable multi-angle design
- Slim, high quality metallic housing
- Low voltage, 24V DC operation
- Safe - no glass, gases or filaments
- Dimmable using OMC's dimming units
- RoHS Compliant

- Vending machine illumination
- Point-of-sale display lighting
- Lighting for buses and trains
- Shelf and cabinet lighting
- Architectural lighting
- Refrigerators and freezers
- Refrigerated vehicles
- Machinery lighting
- Food cabinet illumination
- Office and factory task lighting



OMC (UK) Ltd
Candela House
Cardrew Industrial Estate
Redruth, Cornwall, TR15 1SS, UK
T: +44 (0) 1209 215424
F: +44 (0) 1209 215197
Email: omc-sales@omc-uk.com
Website: www.omc-uk.com

Typical electro-optical and mechanical specifications

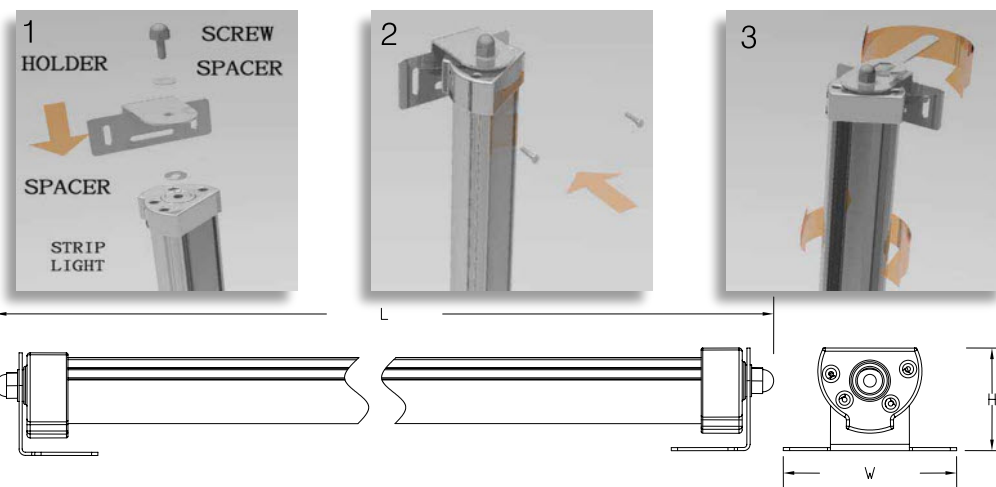
(Conditions: $V_{in} = 24VDC$, $T_a = 25^{\circ}C$)

Available lengths	1 foot, 2 foot, 3 foot, 4 foot, 5 foot									
Tube width	33mm									
Tube height	27mm									
Beam angle $2\theta_{1/2}$	80°									
Maximum Input Voltage	24V DC									
Type	1 foot	2 foot	3 foot	4 foot	5 foot					
Power consumption	2.88W	5.76W	8.64W	11.52W	14.4W					
Length (mm)	320	620	920	1220	1520					
Forward current	120mA	240mA	360mA	480mA	600mA					
Colour	Daylight	Warm	Daylight	Warm	Daylight	Warm	Daylight	Warm	Daylight	Warm
CCT (K)	6500	3500	6500	3500	6500	3500	6500	3500	6500	3500
Illuminance at 0.5m (lux)	500	450	700	700	700	700	800	700	800	700

Note: Fixing brackets not included in above dimensions.

(Specifications subject to change without notice.)

Fixing Method A:



1) Screw the bracket to the side of the LED tube as shown. Repeat at the opposite end.

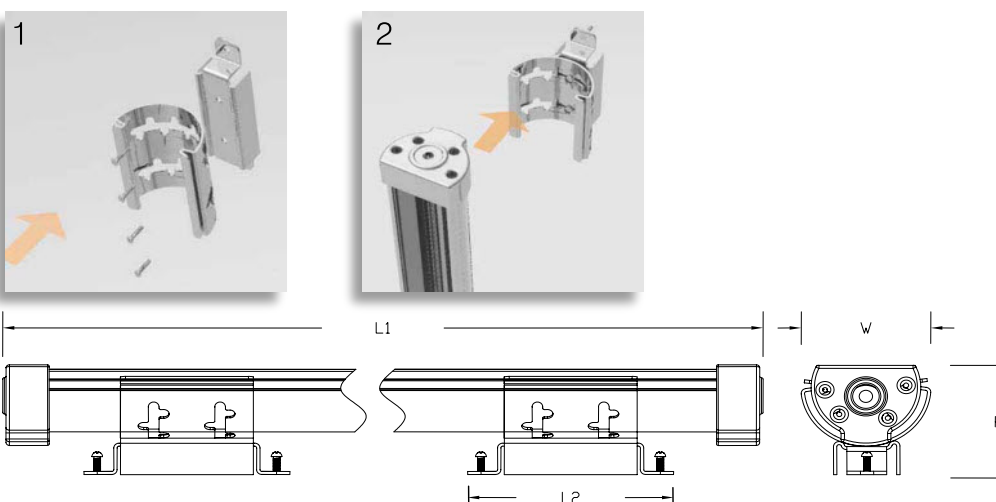
2) Screw bracket to installation surface at both ends.

3) Adjust to the desired angle and tighten the screw at each end.

Overall dimensions when using this fixing method:

L = Original length + 17mm
H = 32.3mm
W = 55mm

Fixing Method B:



1) Screw the lower bracket to the installation surface and affix the U-clip at the desired angle using the screws provided. Adjacent screw holes correspond to 30° increments in tube tilt. Repeat for other bracket.

2) Push the tube firmly onto the U-clips until it snaps into place.

Overall dimensions when using this fixing method:

L1 = Original length
L2 = 62mm
H = 32.3mm
W = 39mm

Application notes: This product requires a regulated power supply with an output of 24V DC. Do not allow voltages greater than 24V DC to be applied to this product. Please de-rate input voltage if used in ambient temperatures exceeding 25°C to ensure optimal long term performance. A derating curve is available on request.