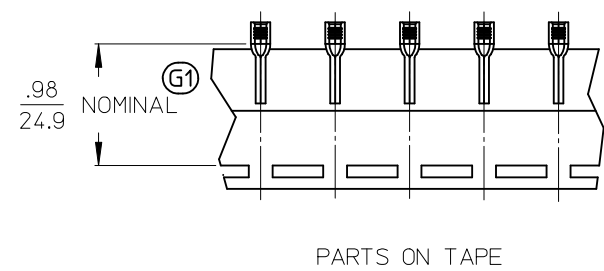
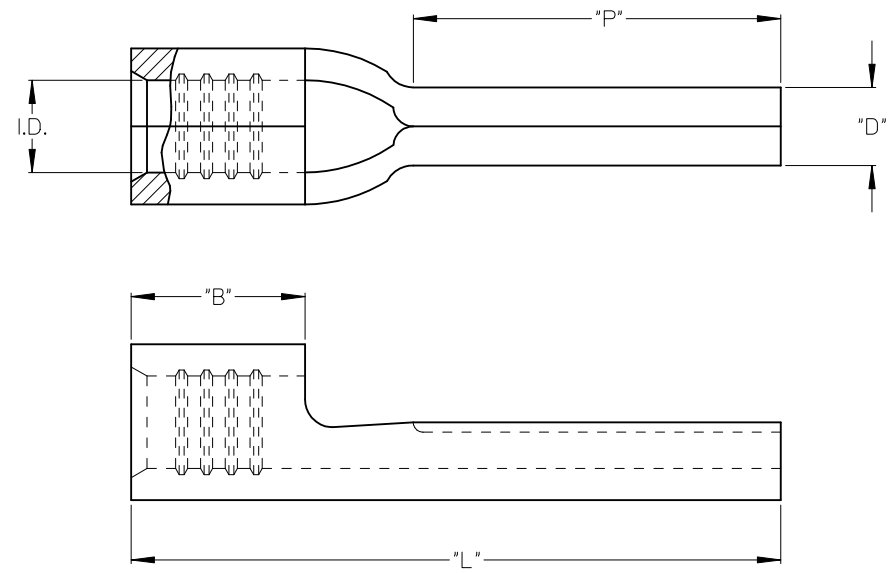
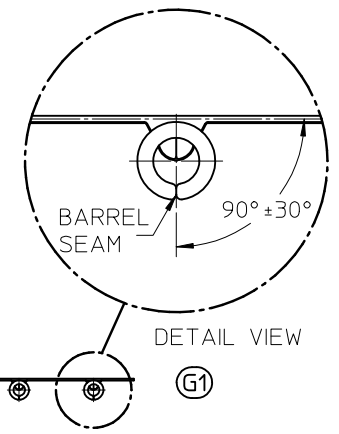


10	9	8	7	6	5	4	3	2	1
MATERIAL NO. LOOSE PIECE	ENGINEERING NO. LOOSE PIECE	MATERIAL NO. TAPE MOUNTED	ENGINEERING NO. TAPE MOUNTED	AWG	"I.D." MIN	"B" MIN	"L" MAX	"P" MIN	"D" ± $\frac{.01}{0.3}$
192110003	WP-1218	192110004	WP-1218T	22-18	.058/1.47	.165/ 4.19	.68/ 17.3	.35/ 8.9	.078/ 1.98
192110005	WP-1614	192110006	WP-1614T	16-14	.081/2.06	.165/ 4.19	.68/ 17.3	.35/ 8.9	.078/ 1.98
192110001	WP-1210	192110002	WP-1210T	12-10	.128/3.25	.230/ 5.84	.82/ 20.8	.41/ 10.4	.107/ 2.72

G1

G1 G1 G1 G1



SALES DRAWING

- NOTES:
1. MATERIAL: COPPER
 2. FINISH: ELECTRO-TIN PLATING
 3. PARTS ARE ROHS COMPLIANT.

G1

CORRECTED, ROT SPEC EC NO: G1 DRW: MATHRODAHL 2009/01/16 CHKD: JMACNEIL 2010/03/01 APPR:	DESCRIPTION REV	QUALITY SYMBOLS	GENERAL TOLERANCES (UNLESS SPECIFIED)	DIMENSION STYLE IN/MM	SCALE	DESIGN UNITS INCH	THIRD ANGLE PROJECTION																																																																																		
		$\nabla=0$ $\nabla=0$	<table border="1"> <thead> <tr> <th></th> <th>mm</th> <th>INCH</th> </tr> </thead> <tbody> <tr> <td>4 PLACES</td> <td>± ---</td> <td>± ---</td> </tr> <tr> <td>3 PLACES</td> <td>± ---</td> <td>± ---</td> </tr> <tr> <td>2 PLACES</td> <td>± ---</td> <td>± ---</td> </tr> <tr> <td>1 PLACE</td> <td>± ---</td> <td>± ---</td> </tr> </tbody> </table>		mm	INCH	4 PLACES	± ---	± ---	3 PLACES	± ---	± ---	2 PLACES	± ---	± ---	1 PLACE	± ---	± ---	<table border="1"> <thead> <tr> <th>mm</th> <th>INCH</th> </tr> </thead> <tbody> <tr> <td>± .01</td> <td>± .0005</td> </tr> <tr> <td>± .02</td> <td>± .0008</td> </tr> <tr> <td>± .05</td> <td>± .0020</td> </tr> <tr> <td>± .10</td> <td>± .0040</td> </tr> <tr> <td>± .15</td> <td>± .0060</td> </tr> <tr> <td>± .20</td> <td>± .0080</td> </tr> <tr> <td>± .30</td> <td>± .0120</td> </tr> <tr> <td>± .50</td> <td>± .0200</td> </tr> <tr> <td>± 1.00</td> <td>± .0400</td> </tr> <tr> <td>± 1.50</td> <td>± .0600</td> </tr> <tr> <td>± 2.00</td> <td>± .0800</td> </tr> <tr> <td>± 3.00</td> <td>± .1200</td> </tr> <tr> <td>± 4.00</td> <td>± .1600</td> </tr> <tr> <td>± 6.00</td> <td>± .2400</td> </tr> <tr> <td>± 8.00</td> <td>± .3200</td> </tr> <tr> <td>± 10.00</td> <td>± .4000</td> </tr> <tr> <td>± 15.00</td> <td>± .6000</td> </tr> <tr> <td>± 20.00</td> <td>± .8000</td> </tr> <tr> <td>± 30.00</td> <td>± 1.2000</td> </tr> <tr> <td>± 40.00</td> <td>± 1.6000</td> </tr> <tr> <td>± 50.00</td> <td>± 2.0000</td> </tr> <tr> <td>± 60.00</td> <td>± 2.4000</td> </tr> <tr> <td>± 80.00</td> <td>± 3.2000</td> </tr> <tr> <td>± 100.00</td> <td>± 4.0000</td> </tr> </tbody> </table>	mm	INCH	± .01	± .0005	± .02	± .0008	± .05	± .0020	± .10	± .0040	± .15	± .0060	± .20	± .0080	± .30	± .0120	± .50	± .0200	± 1.00	± .0400	± 1.50	± .0600	± 2.00	± .0800	± 3.00	± .1200	± 4.00	± .1600	± 6.00	± .2400	± 8.00	± .3200	± 10.00	± .4000	± 15.00	± .6000	± 20.00	± .8000	± 30.00	± 1.2000	± 40.00	± 1.6000	± 50.00	± 2.0000	± 60.00	± 2.4000	± 80.00	± 3.2000	± 100.00	± 4.0000	<table border="1"> <thead> <tr> <th>DRAWN BY</th> <th>DATE</th> </tr> </thead> <tbody> <tr> <td>B. ENDERLE</td> <td>02/14/02</td> </tr> <tr> <th>CHECKED BY</th> <th>DATE</th> </tr> <tr> <td>H. BIETZEL</td> <td>02/14/02</td> </tr> <tr> <th>APPROVED BY</th> <th>DATE</th> </tr> <tr> <td>R. DEROSS</td> <td>02/14/02</td> </tr> </tbody> </table>	DRAWN BY	DATE	B. ENDERLE	02/14/02	CHECKED BY	DATE	H. BIETZEL	02/14/02	APPROVED BY	DATE	R. DEROSS	02/14/02	<table border="1"> <thead> <tr> <th>TITLE</th> <th>DOCUMENT NO.</th> <th>SHEET NO.</th> </tr> </thead> <tbody> <tr> <td>KRIMPTITE WIRE PIN TERMINALS 22-18, 16-14, 12-10 AWG</td> <td>SD-19211-002</td> <td>1 OF 1</td> </tr> </tbody> </table>	TITLE	DOCUMENT NO.	SHEET NO.	KRIMPTITE WIRE PIN TERMINALS 22-18, 16-14, 12-10 AWG	SD-19211-002	1 OF 1
			mm	INCH																																																																																					
		4 PLACES	± ---	± ---																																																																																					
3 PLACES	± ---	± ---																																																																																							
2 PLACES	± ---	± ---																																																																																							
1 PLACE	± ---	± ---																																																																																							
mm	INCH																																																																																								
± .01	± .0005																																																																																								
± .02	± .0008																																																																																								
± .05	± .0020																																																																																								
± .10	± .0040																																																																																								
± .15	± .0060																																																																																								
± .20	± .0080																																																																																								
± .30	± .0120																																																																																								
± .50	± .0200																																																																																								
± 1.00	± .0400																																																																																								
± 1.50	± .0600																																																																																								
± 2.00	± .0800																																																																																								
± 3.00	± .1200																																																																																								
± 4.00	± .1600																																																																																								
± 6.00	± .2400																																																																																								
± 8.00	± .3200																																																																																								
± 10.00	± .4000																																																																																								
± 15.00	± .6000																																																																																								
± 20.00	± .8000																																																																																								
± 30.00	± 1.2000																																																																																								
± 40.00	± 1.6000																																																																																								
± 50.00	± 2.0000																																																																																								
± 60.00	± 2.4000																																																																																								
± 80.00	± 3.2000																																																																																								
± 100.00	± 4.0000																																																																																								
DRAWN BY	DATE																																																																																								
B. ENDERLE	02/14/02																																																																																								
CHECKED BY	DATE																																																																																								
H. BIETZEL	02/14/02																																																																																								
APPROVED BY	DATE																																																																																								
R. DEROSS	02/14/02																																																																																								
TITLE	DOCUMENT NO.	SHEET NO.																																																																																							
KRIMPTITE WIRE PIN TERMINALS 22-18, 16-14, 12-10 AWG	SD-19211-002	1 OF 1																																																																																							
DRAFT WHERE APPLICABLE MUST REMAIN WITHIN DIMENSIONS		SEE CHART	THIS DRAWING CONTAINS INFORMATION THAT IS PROPRIETARY TO MOLEX INCORPORATED AND SHOULD NOT BE USED WITHOUT WRITTEN PERMISSION																																																																																						