

# 20W Stereo Class D Speaker Amplifier with Volume Control

## General Description

The MAX9744 20W stereo Class D audio power amplifier provides Class AB amplifier performance with Class D efficiency, conserving board space and eliminating the need for a bulky heatsink. This device features single-supply operation, adjustable gain, shutdown mode, a SYNC output, speaker mute, and industry-leading click-and-pop suppression.

The MAX9744 features a 64-step dual-mode (analog or digital), programmable volume control and mute function. The MAX9744 operates from a 4.5V to 14V single supply and can deliver up to 20W per channel into a 4Ω speaker with a 14V supply.

The MAX9744 offers two modulation schemes: a fixed-frequency modulation mode that allows one of several preset switching frequencies to be selected, and a spread-spectrum modulation mode that helps to reduce EMI-radiated emissions.

The MAX9744 features high 75dB PSRR, low 0.04% THD+N, and SNR in excess of 90dB. Robust short-circuit and thermal-overload protection prevent device damage during a fault condition. The MAX9744 is available in a 44-pin thin QFN-EP (7mm x 7mm x 0.8mm) package and is specified over the extended -40°C to +85°C temperature range.

## Applications

Flat-Panel Televisions  
PC Speaker Systems  
Multimedia Docking Stations

## Features

- ◆ Wide 4.5V to 14V Power-Supply Voltage Range
- ◆ Filterless Spread-Spectrum Modulation Lowers Radiated RF Emissions from Speaker Cables
- ◆ 20W Stereo Output (4Ω, V<sub>DD</sub> = 12V, THD+N = 10%)
- ◆ Integrated Volume Control (I<sup>2</sup>C or Analog)
- ◆ Low 0.04% THD+N
- ◆ High 75dB PSRR
- ◆ High 93% Efficiency
- ◆ Integrated Click-and-Pop Suppression
- ◆ Low-Power Shutdown Mode
- ◆ Short-Circuit and Thermal-Overload Protection
- ◆ Available in a 44-Pin Thin QFN-EP (7mm x 7mm x 0.8mm)

## Ordering Information

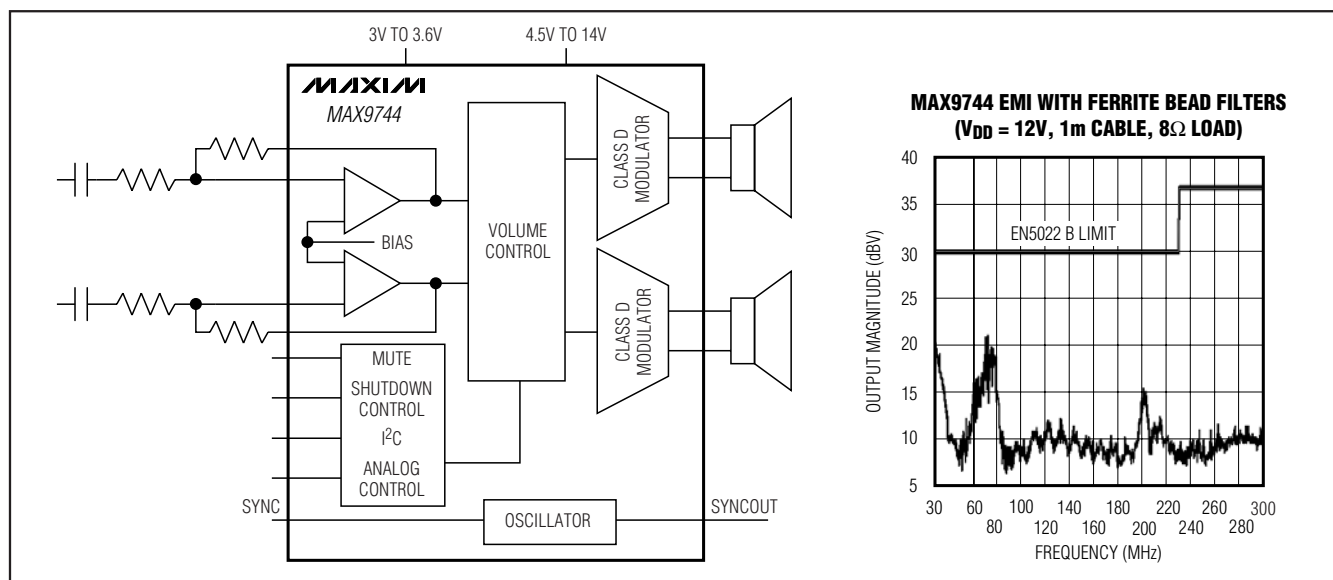
| PART        | TEMP RANGE     | PIN-PACKAGE |
|-------------|----------------|-------------|
| MAX9744ETH+ | -40°C to +85°C | 44 TQFN-EP* |

+Denotes a lead-free package.

\*EP = Exposed pad.

Pin Configuration appears at end of data sheet.

## Simplified Block Diagram



# 20W Stereo Class D Speaker Amplifier with Volume Control

## ABSOLUTE MAXIMUM RATINGS

|  |                                   |
|--|-----------------------------------|
| PVDD to PGND   | +16V                              |
| V <sub>DD</sub> to GND   | +4V                               |
| FB <sub>-</sub> , SYNCOUT, SYNC, SDA/VOL, ADDR1, ADDR2 to GND    | -0.3V to (V <sub>DD</sub> + 0.3V) |
| BOOT <sub>-</sub> to V <sub>DD</sub>                             | -0.3V to +6V                      |
| BOOT <sub>-</sub> to OUT <sub>-</sub>                            | -0.3V to +6V                      |
| OUT <sub>-</sub> to GND  | -0.3V to (PVDD + 0.3V)            |
| PGND to GND  | -0.3V to +0.3V                    |
| Any Other Pin to GND   | -0.3V to +4V                      |
| OUT <sub>-</sub> , Short-Circuit Duration                        | Continuous                        |
| Continuous Power Dissipation (T <sub>A</sub> = +70°C)            |                                   |
| 44-Pin Thin QFN (derate 27mW/°C above +70°C, single-layer board) | 2162mW                            |

|  |                 |
|--|-----------------|
| 44-Pin Thin QFN (derate 37mW/°C above +70°C, multilayer board) | 2963mW          |
| θ <sub>JA</sub> , Single-Layer Board                           | 37°C/W          |
| θ <sub>JA</sub> , Multilayer Board                             | 27°C/W          |
| Continuous Input Current (PVDD, PGND)                          | 6.4A            |
| Continuous Output Current (OUT <sub>-</sub> )                  | 3.2A            |
| Continuous Input Current (except OUT <sub>-</sub> )            | ±20mA           |
| Junction Temperature   | +150°C          |
| Operating Temperature Range                                    | -40°C to +85°C  |
| Storage Temperature Range                                      | -65°C to +150°C |
| Lead Temperature (soldering, 10s)                              | +300°C          |

Stresses beyond those listed under "Absolute Maximum Ratings" may cause permanent damage to the device. These are stress ratings only, and functional operation of the device at these or any other conditions beyond those indicated in the operational sections of the specifications is not implied. Exposure to absolute maximum rating conditions for extended periods may affect device reliability.

## ELECTRICAL CHARACTERISTICS

(PVDD = 12V, V<sub>DD</sub> = 3.3V, GND = PGND = 0V, V<sub>MUTE</sub> = 0V; max volume setting; all speaker load resistors connected between OUT<sub>+</sub> and OUT<sub>-</sub>, R<sub>L</sub> = ∞, unless otherwise stated, C<sub>BOOT-</sub> = 0.1μF, C<sub>BIAS</sub> = 2.2μF, C<sub>IN</sub> = 0.47μF, R<sub>IN</sub> = 20kΩ, R<sub>F-</sub> = 20kΩ, spread-spectrum mode, filterless modulation mode, see the *Functional Diagrams/Typical Application Circuits*. T<sub>A</sub> = T<sub>MIN</sub> to T<sub>MAX</sub>, unless otherwise noted. Typical values are at T<sub>A</sub> = +25°C.) (Note 1)

| PARAMETER  | SYMBOL                | CONDITIONS  | MIN                 | TYP | MAX  | UNITS |
|--|-----------------------|---|---------------------|-----|------|-------|
| <b>GENERAL</b>                                     |                       |   |                     |     |      |       |
| Speaker Amplifier Supply Voltage Range             | PVDD                  | Inferred from PSRR test   | 4.5                 |     | 14   | V     |
| Supply Voltage Range                               | V <sub>DD</sub>       | Inferred from PSRR test   | 2.7                 |     | 3.6  | V     |
| Quiescent Current                                  | I <sub>DD</sub>       |   |                     | 20  | 35   | mA    |
|  | I <sub>PVDD</sub>     |   |                     | 10  | 20   |       |
| Shutdown Current                                   | I <sub>VDDSHDN</sub>  |   |                     | 0.1 | 1    | μA    |
|  | I <sub>PVDDSHDN</sub> |   |                     | 0.1 | 1    |       |
| Turn-On Time                                       | t <sub>ON</sub>       |   |                     | 200 |      | ms    |
| Common-Mode Bias Voltage                           | V <sub>BIAS</sub>     |   |                     | 1.5 |      | V     |
| Input Amplifier Output-Voltage Swing High          | V <sub>OH</sub>       | Specified as V <sub>DD</sub> - V <sub>OH</sub> , R <sub>L</sub> = 2kΩ connected to 1.5V |                     | 20  |      | mV    |
| Input Amplifier Output-Voltage Swing Low           | V <sub>OL</sub>       | Specified as V <sub>OL</sub> - GND, R <sub>L</sub> = 2kΩ connected to 1.5V              |                     | 20  |      | mV    |
| Input Amplifier Output Short-Circuit Current Limit |                       |   |                     | ±60 |      | mA    |
| Input Amplifier Gain-Bandwidth Product             | GBW                   |   |                     | 1.8 |      | MHz   |
| <b>SPEAKER AMPLIFIERS</b>                          |                       |   |                     |     |      |       |
| Gain   | A <sub>VMAX</sub>     | Maximum volume setting  | Output stage gain   |     | 29.5 | dB    |
|  |                       |   | Total gain (Note 2) |     | 29.5 |       |
| Output Offset                                      | V <sub>OS</sub>       | T <sub>A</sub> = 25°C   |                     | ±2  | ±15  | mV    |

# 20W Stereo Class D Speaker Amplifier with Volume Control

MAX9744

## ELECTRICAL CHARACTERISTICS (continued)

(PVDD = 12V, VDD = 3.3V, GND = PGND = 0V, VMUTE = 0V; max volume setting; all speaker load resistors connected between OUT\_+ and OUT\_-, RL = ∞, unless otherwise stated, CBOOT\_ = 0.1μF, CBIAS = 2.2μF, CIN = 0.47μF, RIN = 20kΩ, RF\_ = 20kΩ, spread-spectrum mode, filterless modulation mode, see the *Functional Diagrams/Typical Application Circuits*. TA = TMIN to TMAX, unless otherwise noted. Typical values are at TA = +25°C.) (Note 1)

| PARAMETER                            | SYMBOL | CONDITIONS  |  | MIN                  | TYP  | MAX  | UNITS |
|--------------------------------------|--------|---|--|----------------------|------|------|-------|
| Efficiency (Note 3)                  | η      | Filterless modulation   | POUT = 10W, fIN = 1kHz, 8Ω load        |                      | 93   |      | %     |
|                                      |        |   | POUT = 15W, fIN = 1kHz, 4Ω load        |                      | 87   |      |       |
|                                      |        | PWM   | POUT = 10W, fIN = 1kHz, 8Ω load        |                      | 92   |      | %     |
|                                      |        |   | POUT = 15W, fIN = 1kHz, 4Ω load        |                      | 88   |      |       |
| Output Power                         | POUT   | VPVDD = 5V, fIN = 1kHz  | RL = 8Ω, THD+N = 1%                    |                      | 1.4  |      | W     |
|                                      |        |   | RL = 8Ω, THD+N = 10%                   |                      | 1.8  |      |       |
|                                      |        |   | RL = 4Ω, THD+N = 1%                    |                      | 2.6  |      |       |
|                                      |        |   | RL = 4Ω, THD+N = 10%                   |                      | 3.6  |      |       |
|                                      |        | VPVDD = 12V, fIN = 1kHz   | RL = 8Ω, THD+N = 1%                    |                      | 8    |      |       |
|                                      |        |   | RL = 8Ω, THD+N = 10%                   |                      | 10   |      |       |
|                                      |        |   | RL = 4Ω, THD+N = 1%                    |                      | 14   |      |       |
|                                      |        | VPVDD = 14V, fIN = 1kHz   | RL = 4Ω, THD+N = 10%                   |                      | 17   |      |       |
|                                      |        |   | RL = 8Ω, THD+N = 1%                    |                      | 10   |      |       |
|                                      |        |   | RL = 8Ω, THD+N = 10%                   |                      | 13   |      |       |
|                                      |        |   | RL = 4Ω, THD+N = 1%                    |                      | 17.5 |      |       |
|                                      |        |   |  | RL = 4Ω, THD+N = 10% |      | 22.5 |       |
| Hard Output Current Limit            | ISC    |   |  | 3.9                  | 5.5  |      | A     |
| Total Harmonic Distortion Plus Noise | THD+N  | f = 1kHz, RL = 8Ω, POUT = 5W, fIN = 1kHz                            | Filterless modulation                  |                      | 0.04 |      | %     |
|                                      |        |   | PWM                                    |                      | 0.04 |      |       |
| Signal-to-Noise Ratio                | SNR    | POUT = 10W, RL = 8Ω, filterless modulation mode, BW = 22Hz to 22kHz | Fixed-frequency modulation, unweighted |                      | 91   |      | dB    |
|                                      |        |   | Spread-spectrum, unweighted            |                      | 90   |      |       |
|                                      |        |   | Fixed-frequency modulation, A-weighted |                      | 94   |      |       |
|                                      |        |   | Spread-spectrum, A-weighted            |                      | 94   |      |       |
|                                      |        | POUT = 10W, RL = 8Ω, PWM mode, BW = 22Hz to 22kHz                   | Fixed-frequency modulation, unweighted |                      | 91   |      | dB    |
|                                      |        |   | Spread-spectrum, unweighted            |                      | 81   |      |       |
|                                      |        |   | Fixed-frequency modulation, A-weighted |                      | 94   |      |       |
|                                      |        |   | Spread-spectrum, A-weighted            |                      | 89   |      |       |

# 20W Stereo Class D Speaker Amplifier with Volume Control

## ELECTRICAL CHARACTERISTICS (continued)

(PVDD = 12V, VDD = 3.3V, GND = PGND = 0V, VMUTE = 0V; max volume setting; all speaker load resistors connected between OUT\_+ and OUT\_-, RL = ∞, unless otherwise stated, CBOOT\_ = 0.1μF, CBIAS = 2.2μF, CIN = 0.47μF, RIN = 20kΩ, RF\_ = 20kΩ, spread-spectrum mode, filterless modulation mode, see the *Functional Diagrams/Typical Application Circuits*. TA = TMIN to TMAX, unless otherwise noted. Typical values are at TA = +25°C.) (Note 1)

| PARAMETER  | SYMBOL | CONDITIONS   | MIN             | TYP       | MAX       | UNITS |
|--|--------|--|-----------------|-----------|-----------|-------|
| Crosstalk  |        | 1kHz   |                 | 85        |           | dB    |
|  |        | 20Hz to 20kHz  |                 | 68        |           |       |
| Power-Supply Rejection Ratio   | PSRR   | VDD = 2.7V to 3.6V, TA = 25°C, MUTE = high           |                 | 68        |           | dB    |
|  |        | PVDD = 4.5V to 14V                                   | 50              | 83        |           |       |
|  |        | f = 1kHz, VRIPPLE = 100mVp-p on VDD                  |                 | 70        |           |       |
|  |        | f = 1kHz, VRIPPLE = 200mVp-p on PVDD                 |                 | 75        |           |       |
| SYNC Frequency   | fSYNC  | SYNC = GND   | 1020            | 1200      | 1355      | kHz   |
|  |        | SYNC = unconnected                                   | 1280            | 1440      | 1640      |       |
|  |        | SYNC = VDD (spread-spectrum mode)                    |                 | 1200 ±30  |           |       |
| Class D Switching Frequency  | fsw    | SYNC = GND   | 255             | 300       | 338       | kHz   |
|  |        | SYNC = unconnected                                   | 320             | 360       | 410       |       |
|  |        | SYNC = VDD (spread-spectrum mode)                    |                 | 300 ±6    |           |       |
| SYNC Frequency Lock Range  |        |  | 1000            |           | 1600      | kHz   |
| Minimum SYNC Frequency Lock Duty Cycle                                 |        |  |                 | 40        |           | %     |
| Maximum SYNC Frequency Lock Duty Cycle                                 |        |  |                 | 60        |           | %     |
| Gain Matching  |        | Full volume (ideal matching for RIN and RF)          |                 | 0.2       |           | dB    |
| Click-and-Pop Level  | KCP    | Peak voltage, 32 samples/second, A-weighted (Note 4) | Into shutdown   |           | -43       | dBV   |
|  |        |  | Out of shutdown |           | -43       |       |
|  |        |  | Into mute       |           | -46       |       |
|  |        |  | Out of mute     |           | -57       |       |
| <b>VOLUME CONTROL</b>  |        |  |                 |           |           |       |
| VOL Input Leakage Current  |        |  |                 | ±5        |           | μA    |
| Input Hysteresis   |        | DC volume control mode                               |                 | 11        |           | mV    |
| 9.5dB Gain Voltage   |        | DC volume control mode                               |                 | 0.1 × VDD |           | V     |
| Full Mute Voltage  |        | DC volume control mode                               |                 | 0.9 × VDD |           | V     |
| Full Mute Attenuation  |        | f = 1kHz, relative to 9.5dB setting                  |                 | -115      |           | dB    |
| <b>DIGITAL INPUTS/OUTPUT (SHDN, MUTE, ADDR1, ADDR2, SCLK, SDA/VOL)</b> |        |  |                 |           |           |       |
| Input-Voltage High   | VIH    |  |                 | 0.7 × VDD |           | V     |
| Input-Voltage Low  | VIL    |  |                 |           | 0.3 × VDD | V     |
| Input Leakage Current  | ILK    |  |                 |           | ±1        | μA    |
| Input Hysteresis   |        | SCLK, SDA/VOL  |                 | 0.1 × VDD |           | V     |
| Input Capacitance  | CIN    |  |                 | 5         |           | pF    |
| Output-Voltage Low   | VIL    | IOL = 3mA  |                 |           | 0.4       | V     |

# 20W Stereo Class D Speaker Amplifier with Volume Control

MAX9744

## ELECTRICAL CHARACTERISTICS (continued)

(PVDD = 12V, VDD = 3.3V, GND = PGND = 0V, VMUTE = 0V; max volume setting; all speaker load resistors connected between OUT\_+ and OUT\_-, RL = ∞, unless otherwise stated, CBOOT\_ = 0.1μF, CBIAS = 2.2μF, CIN = 0.47μF, RIN = 20kΩ, RF\_ = 20kΩ, spread-spectrum mode, filterless modulation mode, see the *Functional Diagrams/Typical Application Circuits*. TA = TMIN to TMAX, unless otherwise noted. Typical values are at TA = +25°C.) (Note 1)

| PARAMETER   | SYMBOL    | CONDITIONS    | MIN        | TYP  | MAX | UNITS |
|---|-----------|---------------|------------|------|-----|-------|
| <b>DIGITAL INPUT (SYNC)</b>                             |           |               |            |      |     |       |
| Input-Voltage High                                      | VSYNCH    |               | 2.3        |      |     | V     |
| Input-Voltage Low                                       | VSYNCL    |               |            |      | 0.8 | V     |
| SYNC Input Leakage                                      | ISYNCL    |               | ±7.5       |      | ±13 | μA    |
| <b>DIGITAL OUTPUT (SYNCOUT)</b>                         |           |               |            |      |     |       |
| Output-Voltage High                                     | VSYNCOUTH | ISOURCE = 1mA | VDD - 0.3  |      |     | V     |
| Output-Voltage Low                                      | VSYNCOUTL | ISINK = 1mA   |            |      | 0.3 | V     |
| Rise/Fall Time  |           | CL = 10pF     |            | 50   |     | V/μs  |
| <b>THERMAL PROTECTION</b>                               |           |               |            |      |     |       |
| Thermal-Shutdown Threshold                              |           |               |            | +165 |     | °C    |
| Thermal-Shutdown Hysteresis                             |           |               |            | 15   |     | °C    |
| <b>I<sup>2</sup>C TIMING CHARACTERISTICS (Figure 3)</b> |           |               |            |      |     |       |
| Serial Clock  | fSCL      |               |            |      | 400 | kHz   |
| Bus Free Time Between a STOP and a START Condition      | tBUF      |               | 1.3        |      |     | μs    |
| Hold Time (Repeated) START Condition                    | tHD, STA  | (Note 5)      | 0.6        |      |     | μs    |
| Repeated START Condition Setup Time                     | tSU, STA  |               | 0.6        |      |     | μs    |
| STOP Condition Setup Time                               | tSU, STO  |               | 0.6        |      |     | μs    |
| Data Hold Time  | tHD, DAT  |               | 0          |      | 0.9 | μs    |
| Data Setup Time   | tSU, DAT  |               | 100        |      |     | ns    |
| SCL Clock Low Period                                    | tLOW      |               | 1.3        |      |     | μs    |
| SCL Clock High Period                                   | tHIGH     |               | 0.6        |      |     | μs    |
| Rise Time of SDA and SCL, Receiving                     | tR        | (Note 6)      | 20 + 0.1CB |      | 300 | ns    |
| Fall Time of SDA and SCL, Receiving                     | tF        | (Note 6)      | 20 + 0.1CB |      | 300 | ns    |
| Pulse Width of Spike Suppressed                         | tSP       |               | 0          |      | 50  | ns    |
| Capacitive Load for Each Bus Line                       | CB        |               |            |      | 400 | pF    |

**Note 1:** All devices are 100% production tested at +25°C. All temperature limits are guaranteed by design.

**Note 2:** See the *Gain-Setting Resistors* section.

**Note 3:** Measured on the MAX9744 Evaluation Kit.

**Note 4:** Testing performed with an 8Ω resistive load connected across BTL output. Mode transitions are controlled by  $\overline{\text{SHDN}}$  or MUTE pin, respectively.

**Note 5:** A master device must provide a hold time of at least 300ns for the SDA signal in order to bridge the undefined region of the SCL's falling edge.

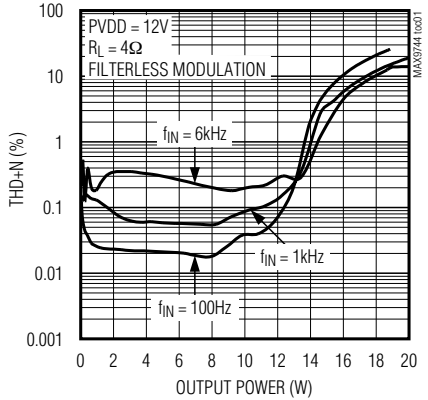
**Note 6:** CB = total capacitance of one bus line in pF.

# 20W Stereo Class D Speaker Amplifier with Volume Control

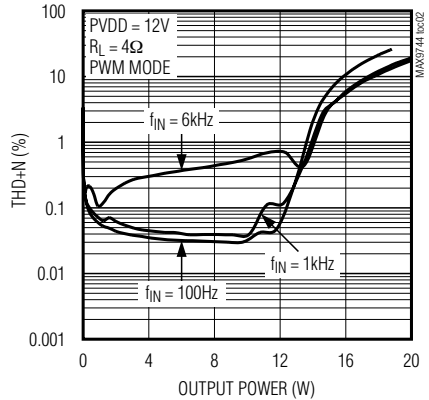
## Typical Operating Characteristics

( $V_{PVDD} = 12V$ ,  $V_{DD} = 3.3V$ ,  $V_{GND} = V_{PGND} = 0V$ ,  $V_{MUTE} = 0V$ ; max volume setting; all speaker load resistors connected between  $OUT_+$  and  $OUT_-$  with an inductor in series,  $8\Omega$  load,  $L = 68\mu H$ ,  $4\Omega$  load,  $L = 33\mu H$ .  $R_L = \infty$ , unless otherwise stated,  $C_{BIAS} = 2.2\mu F$ ,  $C_{IN} = 0.47\mu F$ ,  $R_{IN} = 20k\Omega$ ,  $R_{F-} = 20k\Omega$ , spread-spectrum mode,  $T_A = +25^\circ C$ , unless otherwise noted.)

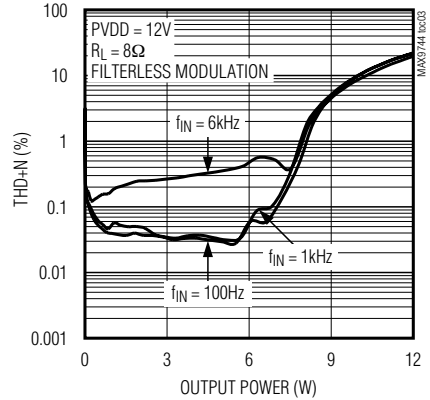
**TOTAL HARMONIC DISTORTION PLUS NOISE vs. OUTPUT POWER**



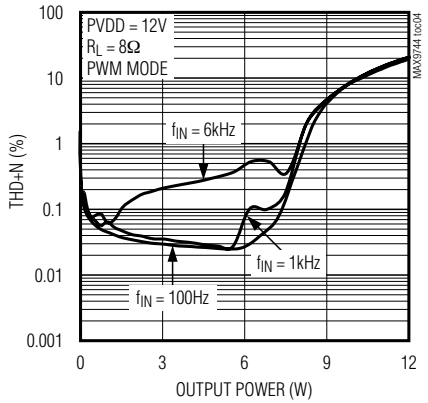
**TOTAL HARMONIC DISTORTION PLUS NOISE vs. OUTPUT POWER**



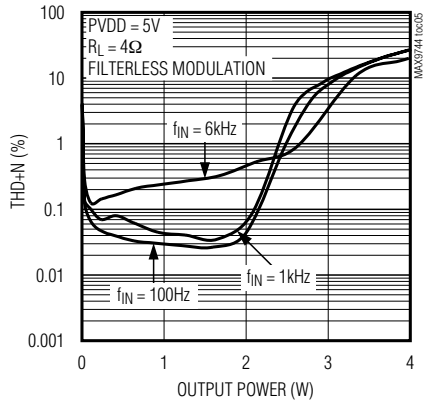
**TOTAL HARMONIC DISTORTION PLUS NOISE vs. OUTPUT POWER**



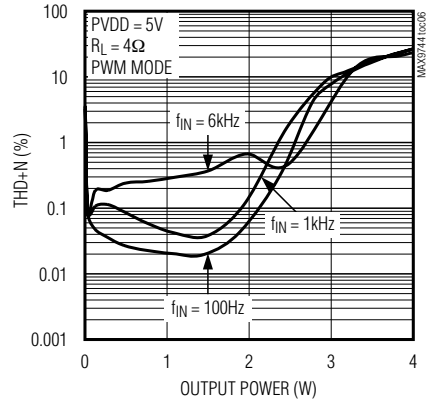
**TOTAL HARMONIC DISTORTION PLUS NOISE vs. OUTPUT POWER**



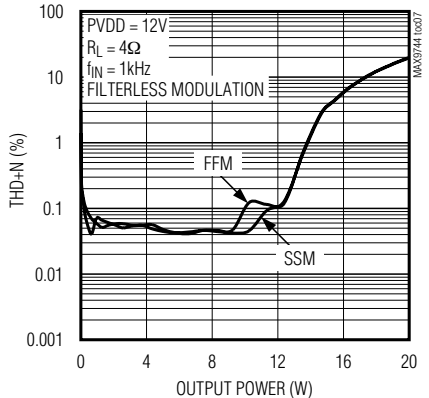
**TOTAL HARMONIC DISTORTION PLUS NOISE vs. OUTPUT POWER**



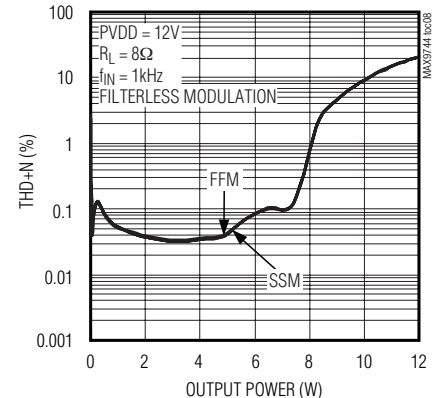
**TOTAL HARMONIC DISTORTION PLUS NOISE vs. OUTPUT POWER**



**TOTAL HARMONIC DISTORTION PLUS NOISE vs. OUTPUT POWER**



**TOTAL HARMONIC DISTORTION PLUS NOISE vs. OUTPUT POWER**



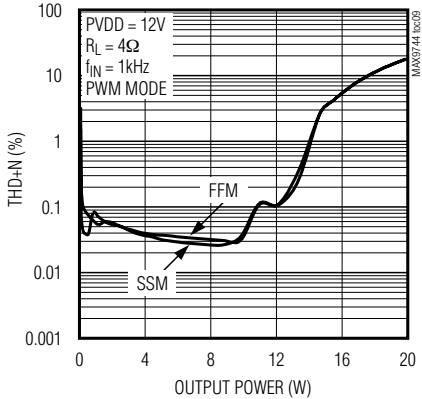
# 20W Stereo Class D Speaker Amplifier with Volume Control

MAX9744

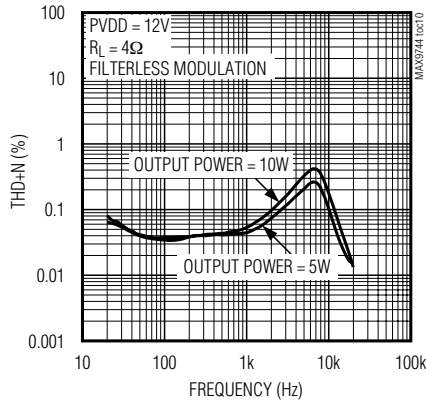
## Typical Operating Characteristics (continued)

( $V_{PVDD} = 12V$ ,  $V_{DD} = 3.3V$ ,  $V_{GND} = V_{PGND} = 0V$ ,  $V_{MUTE} = 0V$ ; max volume setting; all speaker load resistors connected between  $OUT_+$  and  $OUT_-$  with an inductor in series,  $8\Omega$  load,  $L = 68\mu H$ ,  $4\Omega$  load,  $L = 33\mu H$ .  $R_L = \infty$ , unless otherwise stated,  $C_{BIAS} = 2.2\mu F$ ,  $C_{IN} = 0.47\mu F$ ,  $R_{IN} = 20k\Omega$ ,  $R_{F-} = 20k\Omega$ , spread-spectrum mode,  $T_A = +25^\circ C$ , unless otherwise noted.)

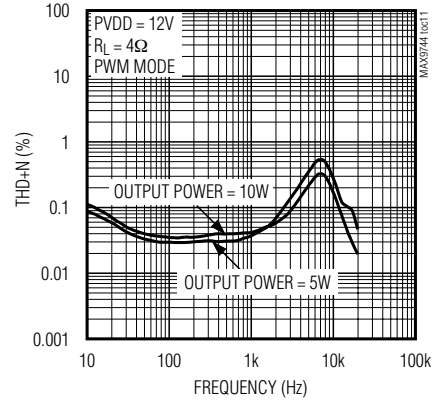
**TOTAL HARMONIC DISTORTION PLUS NOISE vs. OUTPUT POWER**



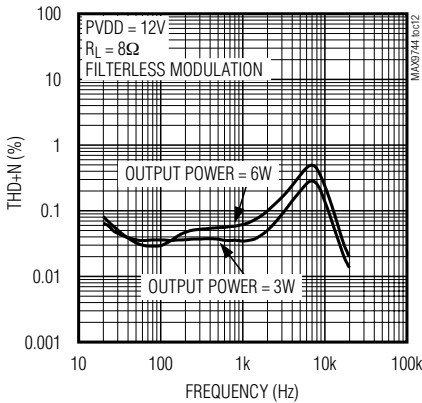
**TOTAL HARMONIC DISTORTION PLUS NOISE vs. FREQUENCY**



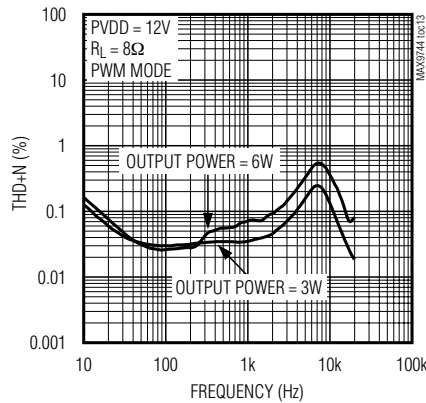
**TOTAL HARMONIC DISTORTION PLUS NOISE vs. FREQUENCY**



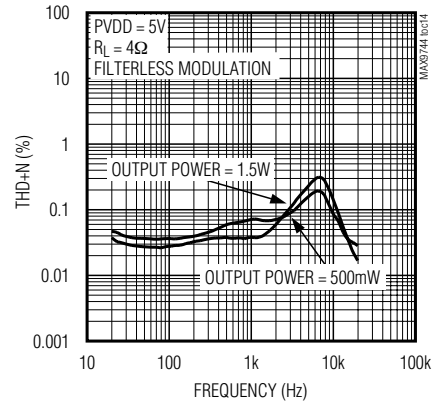
**TOTAL HARMONIC DISTORTION PLUS NOISE vs. FREQUENCY**



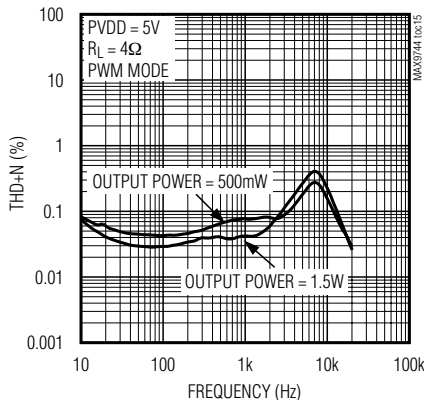
**TOTAL HARMONIC DISTORTION PLUS NOISE vs. FREQUENCY**



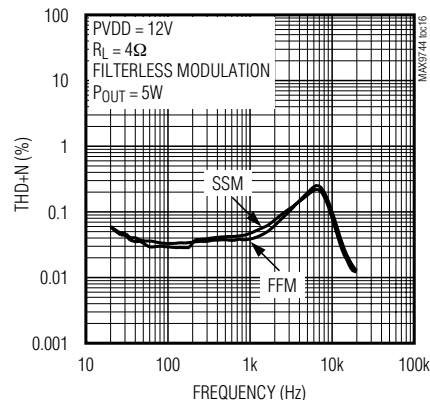
**TOTAL HARMONIC DISTORTION PLUS NOISE vs. FREQUENCY**



**TOTAL HARMONIC DISTORTION PLUS NOISE vs. FREQUENCY**



**TOTAL HARMONIC DISTORTION PLUS NOISE vs. FREQUENCY**

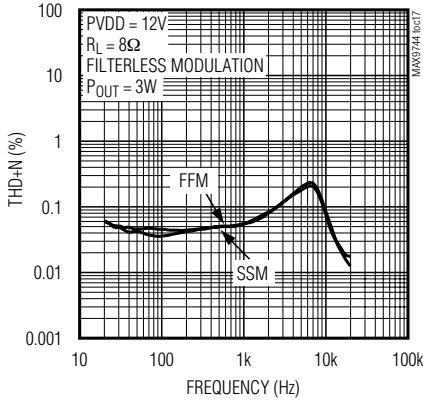


# 20W Stereo Class D Speaker Amplifier with Volume Control

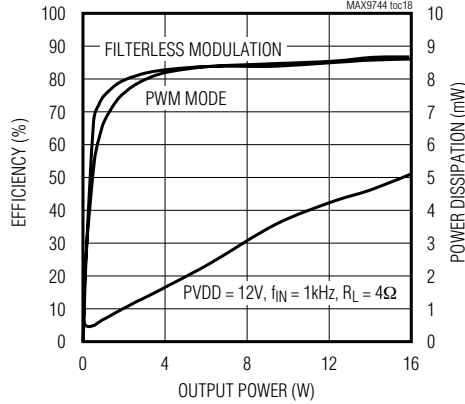
## Typical Operating Characteristics (continued)

( $V_{PVDD} = 12V$ ,  $V_{DD} = 3.3V$ ,  $V_{GND} = V_{PGND} = 0V$ ,  $V_{MUTE} = 0V$ ; max volume setting; all speaker load resistors connected between  $OUT_+$  and  $OUT_-$  with an inductor in series,  $8\Omega$  load,  $L = 68\mu H$ ,  $4\Omega$  load,  $L = 33\mu H$ .  $R_L = \infty$ , unless otherwise stated,  $C_{BIAS} = 2.2\mu F$ ,  $C_{IN} = 0.47\mu F$ ,  $R_{IN} = 20k\Omega$ ,  $R_{F-} = 20k\Omega$ , spread-spectrum mode,  $T_A = +25^\circ C$ , unless otherwise noted.)

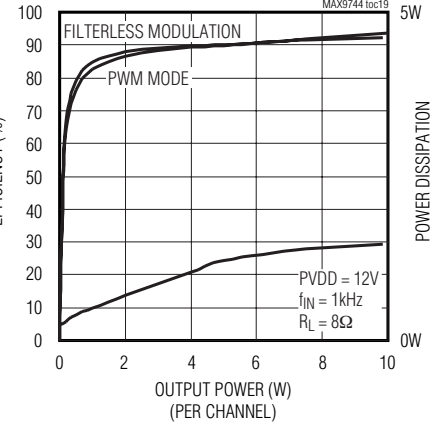
**TOTAL HARMONIC DISTORTION PLUS NOISE vs. FREQUENCY**



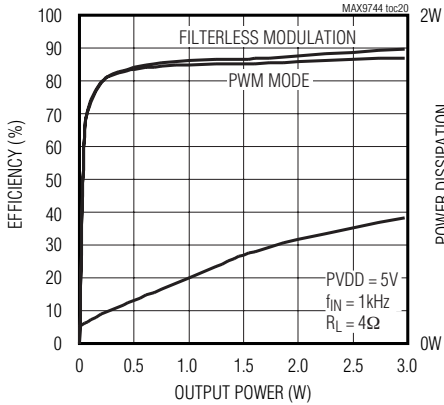
**EFFICIENCY vs. OUTPUT POWER**



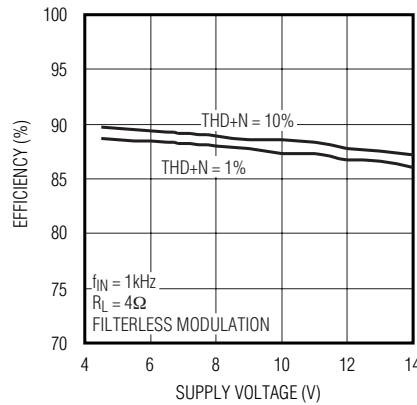
**EFFICIENCY vs. OUTPUT POWER**



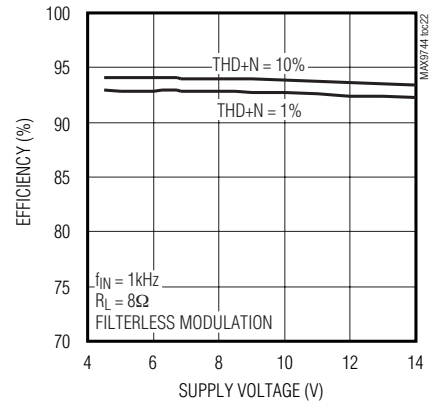
**EFFICIENCY vs. OUTPUT POWER**



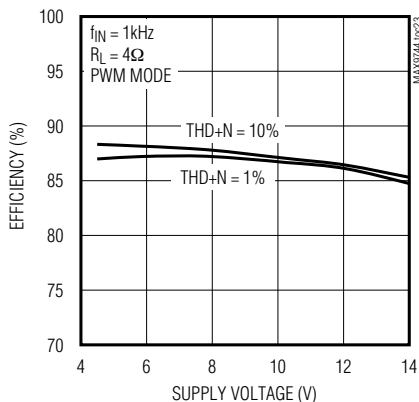
**EFFICIENCY vs. SUPPLY VOLTAGE**



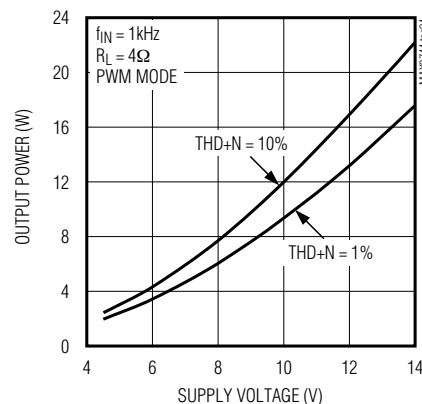
**EFFICIENCY vs. SUPPLY VOLTAGE**



**EFFICIENCY vs. SUPPLY VOLTAGE**



**OUTPUT POWER vs. SUPPLY VOLTAGE**



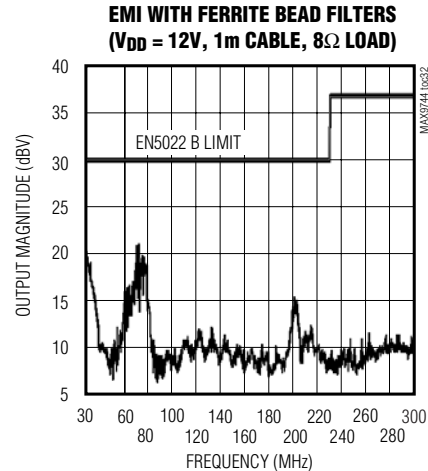
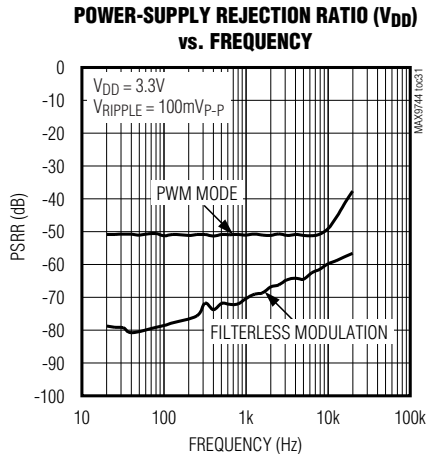
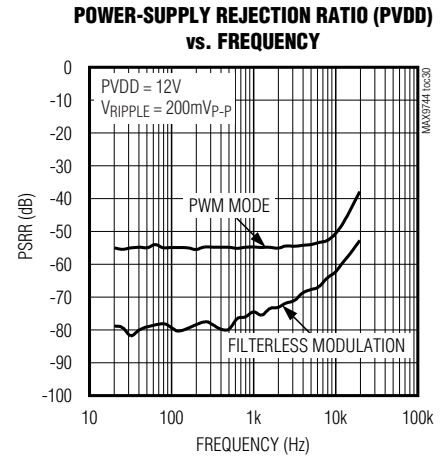
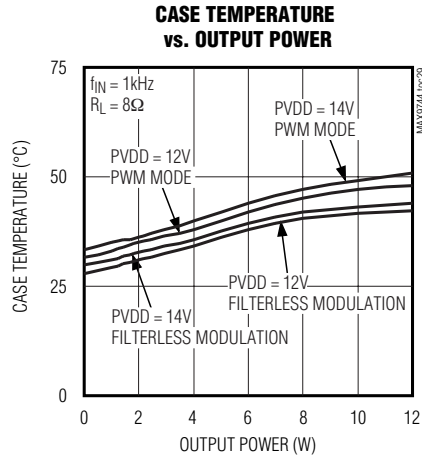
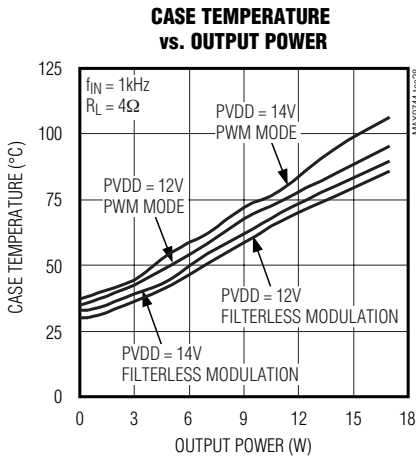
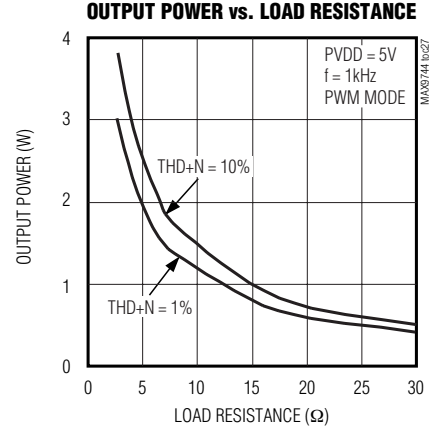
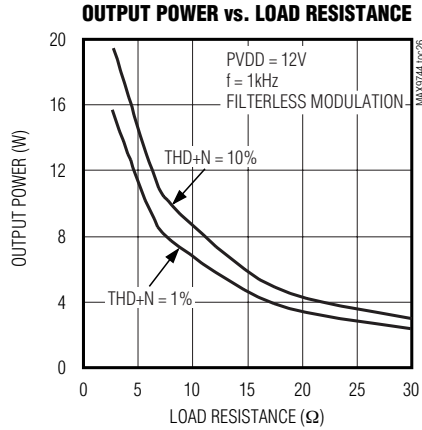
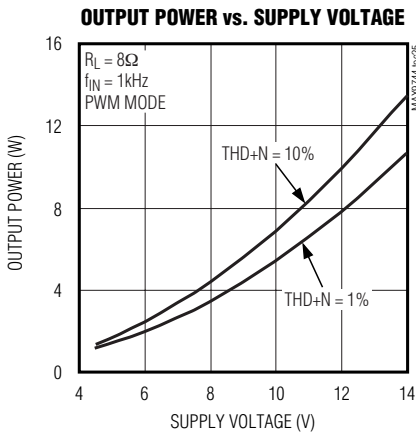


# 20W Stereo Class D Speaker Amplifier with Volume Control

MAX9744

## Typical Operating Characteristics (continued)

( $V_{PVDD} = 12V$ ,  $V_{DD} = 3.3V$ ,  $V_{GND} = V_{PGND} = 0V$ ,  $V_{MUTE} = 0V$ ; max volume setting; all speaker load resistors connected between  $OUT_+$  and  $OUT_-$  with an inductor in series,  $8\Omega$  load,  $L = 68\mu H$ ,  $4\Omega$  load,  $L = 33\mu H$ ,  $R_L = \infty$ , unless otherwise stated,  $C_{BIAS} = 2.2\mu F$ ,  $C_{IN} = 0.47\mu F$ ,  $R_{IN} = 20k\Omega$ ,  $R_{F-} = 20k\Omega$ , spread-spectrum mode,  $T_A = +25^\circ C$ , unless otherwise noted.)

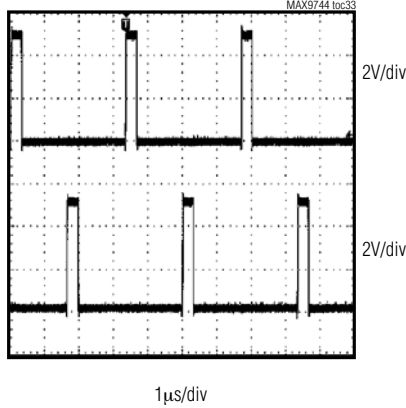


# 20W Stereo Class D Speaker Amplifier with Volume Control

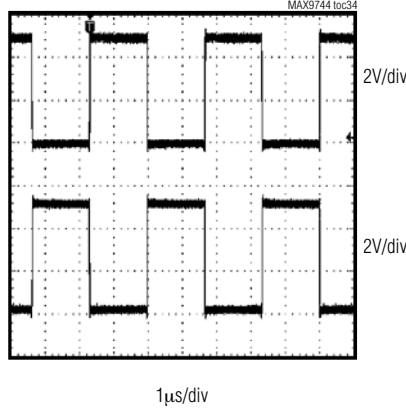
## Typical Operating Characteristics (continued)

( $V_{PVDD} = 12V$ ,  $V_{DD} = 3.3V$ ,  $V_{GND} = V_{PGND} = 0V$ ,  $V_{MUTE} = 0V$ ; max volume setting; all speaker load resistors connected between  $OUT_+$  and  $OUT_-$  with an inductor in series,  $8\Omega$  load,  $L = 68\mu H$ ,  $4\Omega$  load,  $L = 33\mu H$ .  $R_L = \infty$ , unless otherwise stated,  $C_{BIAS} = 2.2\mu F$ ,  $C_{IN} = 0.47\mu F$ ,  $R_{IN} = 20k\Omega$ ,  $R_{F-} = 20k\Omega$ , spread-spectrum mode,  $T_A = +25^\circ C$ , unless otherwise noted.)

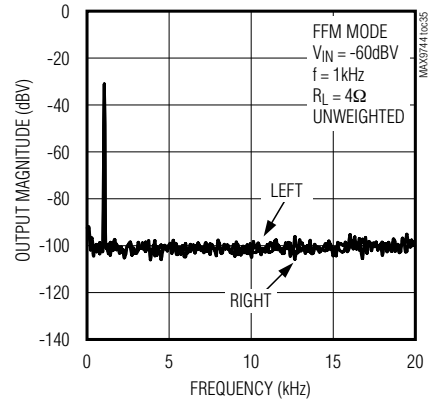
**OUTPUT WAVEFORM  
(FILTERLESS MODULATION)**



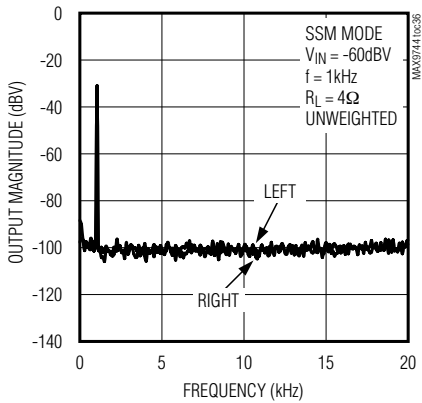
**OUTPUT WAVEFORM (PWM)**



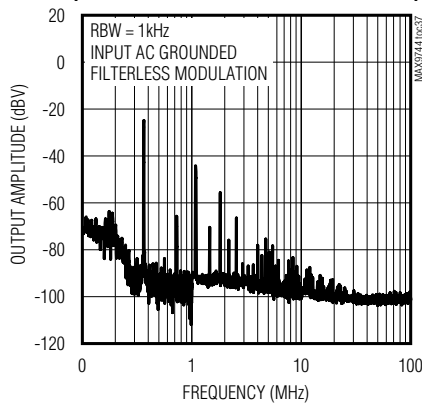
**OUTPUT FREQUENCY SPECTRUM**



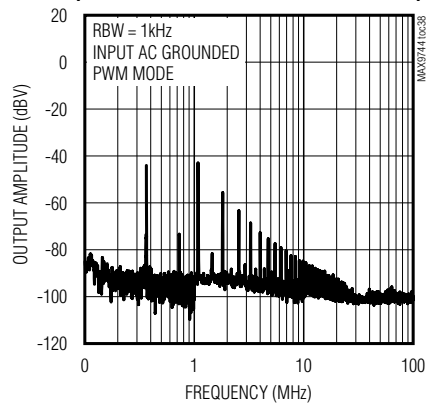
**OUTPUT FREQUENCY SPECTRUM**



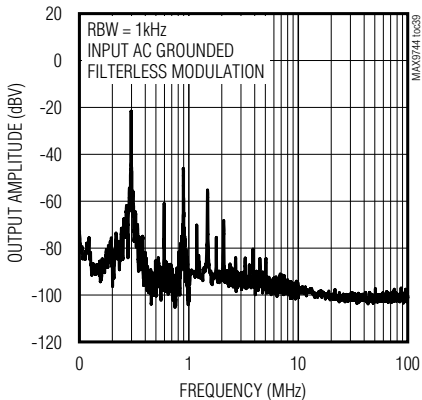
**WIDEBAND OUTPUT SPECTRUM  
(FIXED-FREQUENCY MODULATION MODE)**



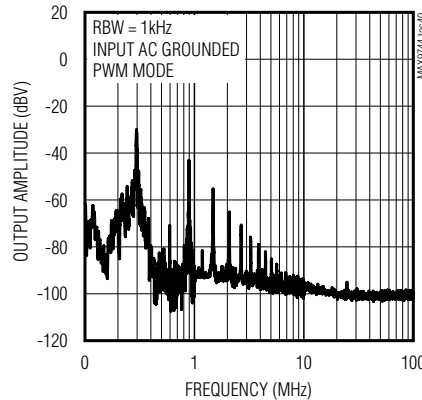
**WIDEBAND OUTPUT SPECTRUM  
(FIXED-FREQUENCY MODULATION MODE)**



**WIDEBAND OUTPUT SPECTRUM  
(SPREAD-SPECTRUM MODULATION MODE)**



**WIDEBAND OUTPUT SPECTRUM  
(SPREAD-SPECTRUM MODULATION MODE)**

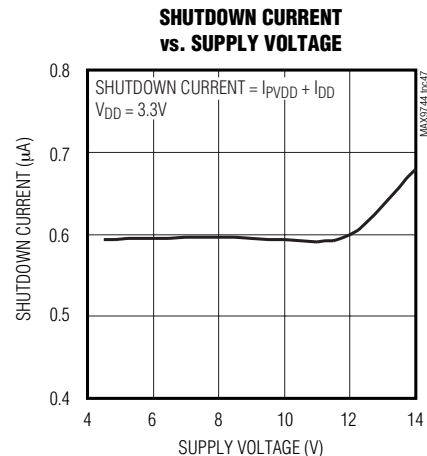
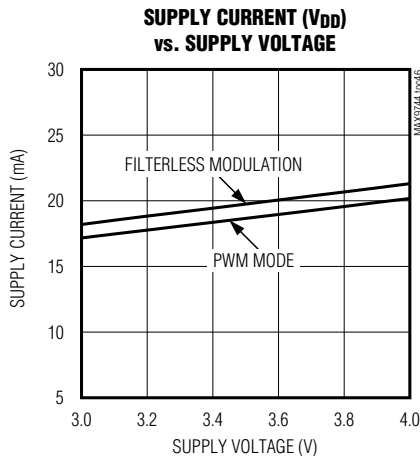
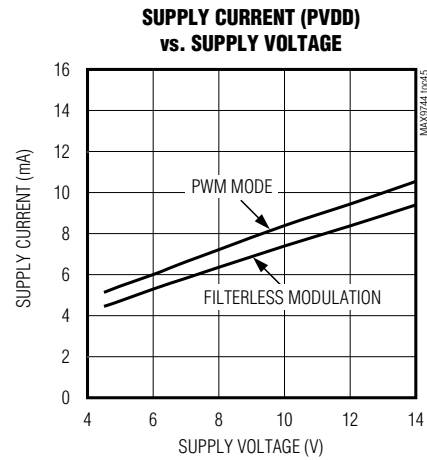
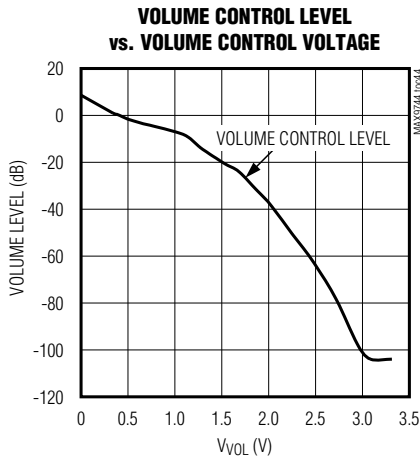
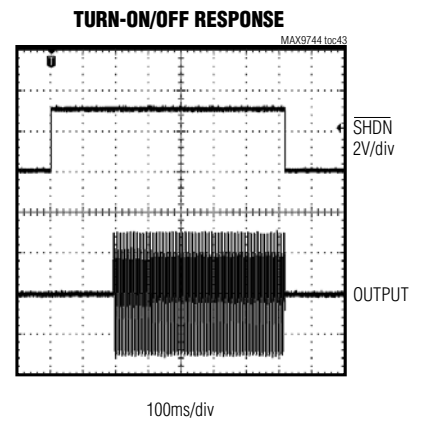
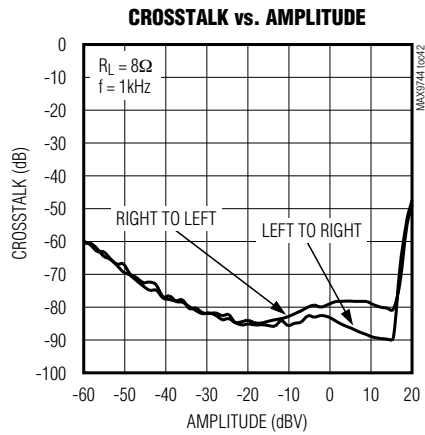
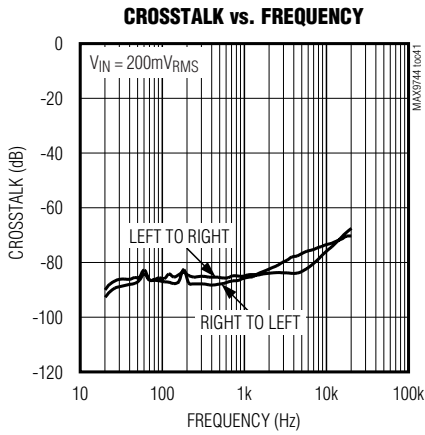


# 20W Stereo Class D Speaker Amplifier with Volume Control

MAX9744

## Typical Operating Characteristics (continued)

( $V_{PVDD} = 12V$ ,  $V_{DD} = 3.3V$ ,  $V_{GND} = V_{PGND} = 0V$ ,  $V_{MUTE} = 0V$ ; max volume setting; all speaker load resistors connected between  $OUT_+$  and  $OUT_-$  with an inductor in series,  $8\Omega$  load,  $L = 68\mu H$ ,  $4\Omega$  load,  $L = 33\mu H$ ,  $R_L = \infty$ , unless otherwise stated,  $C_{BIAS} = 2.2\mu F$ ,  $C_{IN} = 0.47\mu F$ ,  $R_{IN} = 20k\Omega$ ,  $R_{F-} = 20k\Omega$ , spread-spectrum mode,  $T_A = +25^\circ C$ , unless otherwise noted.)



# 20W Stereo Class D Speaker Amplifier with Volume Control

## Pin Description

| PIN               | NAME                     | FUNCTION   |
|-------------------|--------------------------|--|
| 1                 | BOOTL+                   | Left-Channel Positive Speaker Output Boost Flying-Capacitor Connection. Connect a 0.1 $\mu$ F ceramic capacitor between BOOTL+ and OUTL+.  |
| 2, 3              | OUTL+                    | Left-Channel Speaker Output, Positive Phase  |
| 4, 5, 29, 30      | PVDD                     | Speaker Amplifier Power-Supply Input. Bypass each with a 1 $\mu$ F capacitor to PGND.  |
| 6, 10, 21, 28     | V <sub>DD</sub>          | Power-Supply Input. Bypass each with a 1 $\mu$ F capacitor to GND.   |
| 7, 11, 12, 15, 27 | GND                      | Ground   |
| 8                 | SDA/VOL                  | I <sup>2</sup> C Serial Data I/O and Analog Volume Control Input   |
| 9                 | SCLK/PWM                 | I <sup>2</sup> C Serial Clock Input and Modulation Scheme Select. In I <sup>2</sup> C mode (ADDR1 and ADDR2 $\neq$ GND), acts as I <sup>2</sup> C serial clock input. When ADDR1 and ADDR2 = GND, set SCLK = 1 for standard PWM output scheme, or set SCLK = 0 for filterless modulation output scheme.  |
| 13                | ADDR1                    | Address Select Input 1. Sets device address for I <sup>2</sup> C address option. Connect ADDR1 and ADDR2 to GND to select analog volume control mode.  |
| 14                | ADDR2                    | Address Select Input 2. Sets device address for I <sup>2</sup> C address option. Connect ADDR1 and ADDR2 to GND to select Analog Volume Control mode.  |
| 16                | INL                      | Left-Channel Audio Input   |
| 17                | FBL                      | Left-Channel Feedback. Connect feedback resistor between FBL and INL to set amplifier gain. See the <i>Gain-Setting Resistors</i> section.   |
| 18                | FBR                      | Right-Channel Feedback. Connect feedback resistor between FBR and INR to set amplifier gain. See the <i>Gain-Setting Resistors</i> section.  |
| 19                | INR                      | Right-Channel Input  |
| 20                | BIAS                     | Common-Mode Bias Voltage. Bypass with a 2.2 $\mu$ F capacitor to GND.  |
| 22                | $\overline{\text{SHDN}}$ | Shutdown Input. Drive $\overline{\text{SHDN}}$ low to disable the audio amplifiers. Connect $\overline{\text{SHDN}}$ to V <sub>DD</sub> or drive high for normal operation.  |
| 23                | N.C.                     | No Connection. Not internally connected.   |
| 24                | MUTE                     | Mute Input. Drive MUTE high to mute the speaker outputs. Connect MUTE to GND for normal operation (mute function controls speaker outputs only).   |
| 25                | SYNC                     | Frequency Select and External Clock Input.<br>SYNC = GND: Fixed-frequency mode with $f_{\text{SYNC}} = 1200\text{kHz}$<br>SYNC = Unconnected: Fixed-frequency mode with $f_{\text{SYNC}} = 1440\text{kHz}$<br>SYNC = V <sub>DD</sub> : Spread-spectrum mode with $f_{\text{SYNC}} = 1200\text{kHz} \pm 30\text{kHz}$<br>SYNC = Clocked: Fixed-frequency mode with $f_{\text{SYNC}} = \text{external clock frequency}$ . $f_{\text{sw}} = 1/4$ the value of $f_{\text{SYNC}}$ . |

# 20W Stereo Class D Speaker Amplifier with Volume Control

MAX9744

## Pin Description (continued)

| PIN                | NAME    | FUNCTION  |
|--------------------|---------|---|
| 26                 | SYNCOUT | SYNC Signal Output  |
| 31, 32             | OUTR+   | Right-Channel Positive Speaker Output   |
| 33                 | BOOTR+  | Right-Channel Positive Speaker Output Boost Flying-Capacitor Connection. Connect a 0.1 $\mu$ F ceramic capacitor between BOOTR+ and OUTR+.  |
| 34, 35, 39, 43, 44 | PGND    | Power Ground  |
| 36, 37             | OUTR-   | Right-Channel Negative Speaker Output   |
| 38                 | BOOTR-  | Right-Channel Negative Speaker Output Boost Flying-Capacitor Connection. Connect a 0.1 $\mu$ F ceramic capacitor between BOOTR- and OUTR-.  |
| 40                 | BOOTL-  | Left-Channel Negative Speaker Output Boost Flying-Capacitor Connection. Connect a 0.1 $\mu$ F ceramic capacitor between BOOTL- and OUTL-.   |
| 41, 42             | OUTL-   | Left-Channel Negative Speaker Output  |
| —                  | EP      | Exposed Pad. The external pad lowers the package's thermal impedance by providing a direct heat conduction path from the die to the PCB. Connect the exposed thermal pad to PGND. |

## Detailed Description

The MAX9744 20W filterless, stereo Class D audio power amplifier offers Class AB performance with Class D efficiency with a minimal board space solution. The MAX9744 features a spread-spectrum modulation scheme offering significant improvements to switch-mode amplifier technology. This device features analog or digitally adjustable volume control, externally set input gain, shutdown mode, SYNC input and output, mute, and industry-leading click-and-pop suppression.

The MAX9744 features extensive click-and-pop suppression circuitry that eliminates audible clicks-and-pops at startup and shutdown.

The MAX9744 features a 64-step, dual-mode (analog or I<sup>2</sup>C) volume control and mute function. In analog volume control mode, the voltage applied to SDA/VOL sets the volume level. Two address inputs (ADDR1, ADDR2) set the volume control function between analog and I<sup>2</sup>C mode and set the slave address. In I<sup>2</sup>C mode, there are three selectable slave addresses allowing for multiple devices on a single bus.

The MAX9744 offers spread-spectrum and fixed-frequency modes of operation with classic PWM or filterless modulation output schemes. The filterless

modulation scheme uses minimum pulse outputs when the audio inputs are at the zero crossing. As the input voltage increases or decreases, the duration of the pulse at one output increases while the other output pulse duration remains the same. This causes the net voltage across the speaker ( $V_{OUT+} - V_{OUT-}$ ) to change. The minimum-width pulse topology reduces EMI and increases efficiency.

## Operating Modes

### Fixed-Frequency Modulation Mode

The MAX9744 features two fixed-frequency modes: 300kHz and 360kHz. Connect SYNC to GND to select 300kHz switching frequency; leave SYNC unconnected to select the 360kHz switching frequency. The MAX9744 frequency spectrum consists of the fundamental switching frequency and its associated harmonics (see the Wideband Output Spectrum graphs in the *Typical Operating Characteristics*). For applications where exact spectrum placement of the switching fundamental is important, program the switching frequency so that the harmonics do not fall within a sensitive frequency band (Table 1). Audio reproduction is not affected by changing the switching frequency.

# 20W Stereo Class D Speaker Amplifier with Volume Control

## Spread-Spectrum Modulation Mode

The MAX9744 features a unique, patented spread-spectrum mode that flattens the wideband spectral components, improving EMI emissions that may be radiated by the speaker and cables. This mode is enabled by setting SYNC = V<sub>DD</sub> (Table 1). In spread-spectrum mode, the switching frequency varies randomly by  $\pm 7.5$  kHz around the center frequency (300 kHz). The modulation scheme remains the same, but the period of the triangle waveform changes from cycle to cycle. Instead of a large amount of spectral energy present at multiples of the switching frequency, the energy is now spread over a bandwidth that increases with frequency. Above a few megahertz, the wideband spectrum looks like white noise for EMI purposes. A proprietary amplifier topology ensures this does not corrupt the noise floor in the audio bandwidth.

## External Clock Mode

The SYNC input allows the MAX9744 to be synchronized to an external clock or another Maxim Class D amplifier, creating a fully synchronous system. This minimizes clock intermodulation and allocates spectral components of the switching harmonics to insensitive frequency bands. Applying a clock signal between 1 MHz and 1.6 MHz to SYNC synchronizes the MAX9744. The MAX9744 Class D amplifier operates at 1/4 of the SYNC frequency. For example, if SYNC is 1.6 MHz, the Class D amplifier operates at 400 kHz.

The external SYNC signal can be any CMOS clock source with a 40% to 60% duty cycle. Spread-spectrum clocks work well to reduce EMI; therefore, the SYNCOUT signal from another MAX9744 in spread-spectrum mode is an excellent SYNC input.

**Table 1. Operating Modes**

| SYNC            | MODE                       | f <sub>SYNC</sub> (kHz) | f <sub>sw</sub> (kHz) |
|-----------------|----------------------------|-------------------------|-----------------------|
| GND             | Fixed-frequency modulation | 1200                    | 300                   |
| Unconnected     | Fixed-frequency modulation | 1440                    | 360                   |
| V <sub>DD</sub> | Spread-spectrum modulation | 1200 $\pm$ 30           | 300 $\pm$ 7.5         |
| Clocked         | EXT                        | 1000 to 1600            | 250 to 400            |

SYNCOUT allows several Maxim amplifiers to be cascaded (Figure 1). The synchronized output minimizes interference due to clock intermodulation caused by the switching spread between single devices. Using SYNCOUT and SYNC does not affect the audio performance of the MAX9744.

## Filterless Modulation/PWM Modulation

The MAX9744 features two output modulation schemes: filterless modulation or classic PWM. The MAX9744 output modulation schemes are selectable through SCLK/PWM when the device is in analog mode (ADDR1 and ADDR2 = GND, Table 2) or through the I<sup>2</sup>C interface (Table 8). Maxim's unique, filterless modulation scheme eliminates the LC filter required by traditional Class D amplifiers, reducing component count and conserving board space and system cost. Although the MAX9744 meets FCC and other EMI limits with a low-cost ferrite bead filter, many applications still may want to use a full LC-filtered output. If using a full LC filter, audio performance is best with the MAX9744 configured for classic PWM output.

Switching between schemes, the output is not click-and-pop protected. To have click-and-pop protection when switching between output schemes, the device must enter shutdown mode and be configured to the new output scheme before the startup sequence is finished.

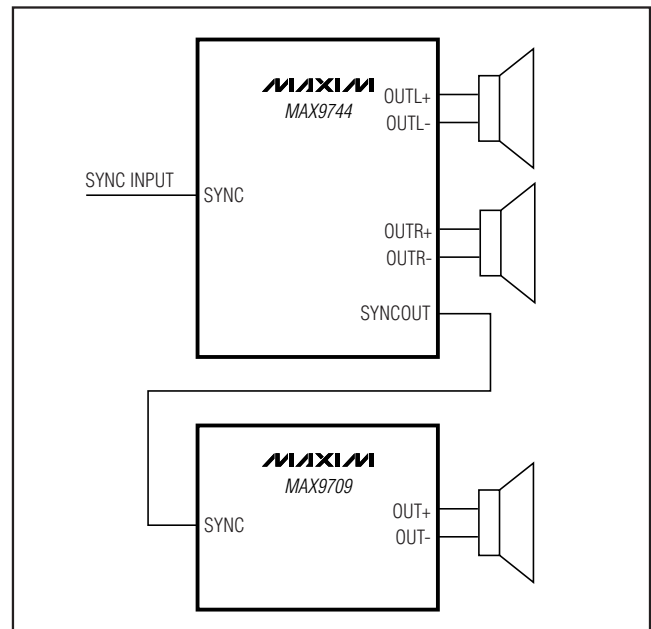


Figure 1. Cascading Two Amplifiers' External Clock Mode

# 20W Stereo Class D Speaker Amplifier with Volume Control

**Table 2. Modulation Scheme Selection**

| ADDR2 | ADDR1 | SDA/VOL               | SCLK/PWM | FUNCTION                     |
|-------|-------|-----------------------|----------|------------------------------|
| 0     | 0     | Analog volume control | 0        | Filterless modulation        |
| 0     | 0     | Analog volume control | 1        | Classic PWM (50% duty cycle) |

### Efficiency

The high efficiency of a Class D amplifier is due to the switching operation of the output stage transistors. In a Class D amplifier, the output transistors act as current-steering switches and consume negligible additional power. Any power loss associated with the Class D output stage is mostly due to the  $I^2R$  loss of the MOSFET on-resistance, and quiescent current overhead.

The theoretical best efficiency of a linear amplifier is 78% at peak output power. Under normal operating levels (typical music reproduction levels), the efficiency falls below 30%, whereas the MAX9744 exhibits > 80% efficiency under the same conditions (Figure 2).

### Current Limit

When the output current exceeds the current limit, 5.5A (typ), the MAX9744 disables the outputs and initiates a 220 $\mu$ s startup sequence. The shutdown and startup sequence is repeated until the output fault is removed. Since the retry repetition is slow, the average supply current is low. Most applications do not enter current-limit mode unless the output is short circuited or incorrectly connected.

### Thermal Shutdown

When the die temperature exceeds the thermal-shutdown threshold, +165°C (typ), the MAX9744 outputs are disabled. Normal operation resumes when the die temperature decreases by a factor equal to the thermal-shutdown threshold minus the thermal-shutdown hysteresis, (typically below +150°C). The effect of thermal shutdown is an output signal turning off for approximately 3s in most applications, depending on the thermal time constant of the audio system. Most applications should never enter thermal shutdown. Some of the possible causes of thermal shutdown are too low of a load impedance, bad thermal contact between the MAX9744's exposed pad and PCB, high ambient temperature, poor PCB layout and assembly, or excessive output overdrive.

### Shutdown

The MAX9744 features a shutdown mode that reduces power consumption and extends battery life. Driving  $\overline{\text{SHDN}}$  low places the device in low-power shutdown mode. Connect  $\overline{\text{SHDN}}$  to digital high for normal operation. In shutdown mode, the outputs are high impedance,  $\overline{\text{SYNCOUT}}$  is pulled high, BIAS voltage decays to zero, and the common-mode input voltage decays to zero. The I<sup>2</sup>C register does not retain its contents during shutdown (MAX9744).

### Mute Function

The MAX9744 features a clickless-and-popless mute mode. When the device is muted, the outputs do not stop switching; only the volume level is muted to the speaker. Mute only affects the output stage and does not shut down the device. To mute the MAX9744, drive MUTE to logic-high. MUTE should be held high during system power-up and power-down to ensure that pops caused by circuits before the MAX9744 are eliminated. To reduce clicks and pops, the device enters or exits mute at zero crossing.

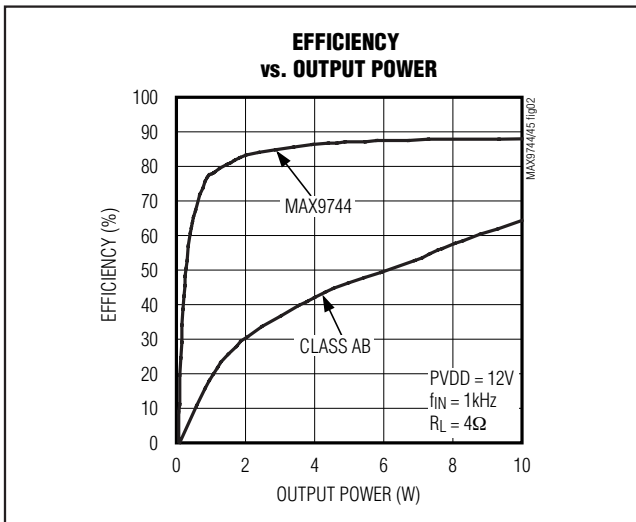


Figure 2. MAX9744 Efficiency vs. Class AB Efficiency



# 20W Stereo Class D Speaker Amplifier with Volume Control

## Volume Control

For maximum flexibility, the MAX9744 features volume control operation using an analog voltage input or through the I<sup>2</sup>C interface. To set the device to analog mode, connect ADDR1 and ADDR2 to GND. In analog mode, SDA/VOL is an analog input for volume control. The analog input range is ratiometric between  $0.9 \times V_{DD}$  and  $0.1 \times V_{DD}$  where  $0.9 \times V_{DD}$  = full mute and  $0.1 \times V_{DD}$  = full volume (Table 7).

Use ADDR1 and ADDR2 to select I<sup>2</sup>C mode. There are three addresses that can be chosen, allowing for multiple devices on a single bus (Table 4). In I<sup>2</sup>C mode, volume is controlled by choosing the speaker volume control register in the command byte (Table 5). There are 64 volume settings, where the lowest setting is full mute (Table 6). See the *Write Byte* section for more information on formatting data and tables to set volume levels. The default volume after power-up is position 40 (-7.1dB) (see Table 7).

## I<sup>2</sup>C Interface

The MAX9744 features an I<sup>2</sup>C 2-wire serial interface consisting of a serial-data line (SDA) and a serial-clock line (SCL). SDA and SCL facilitate communication between the MAX9744 and the master at clock rates up

to 400kHz. Figure 3 shows the 2-wire interface timing diagram. The MAX9744 is a receive-only slave device, relying on the master to generate the SCL signal. The MAX9744 cannot write to the SDA bus except to acknowledge the receipt of data from the master. The master, typically a microcontroller, generates SCL and initiates data transfer on the bus.

A master device communicates to the MAX9744 by transmitting the proper address followed by the data word. Each transmit sequence is framed by a START (S) or Repeated START (Sr) condition and a STOP (P) condition. Each word transmitted over the bus is 8 bits long and is always followed by an acknowledge clock pulse.

The MAX9744 SDA line operates as both an input and an open-drain output. A pullup resistor, greater than  $500\Omega$ , is required on the SDA bus. The MAX9744 SCL line operates as an input only. A pullup resistor, greater than  $500\Omega$ , is required on SCL if there are multiple masters on the bus, or if the master in a single-master system has an open-drain SCL output. Series resistors in line with SDA and SCL are optional. The SCL and SDA inputs have Schmitt trigger and filter circuits that suppress noise spikes to assure proper device operation even on a noisy bus.

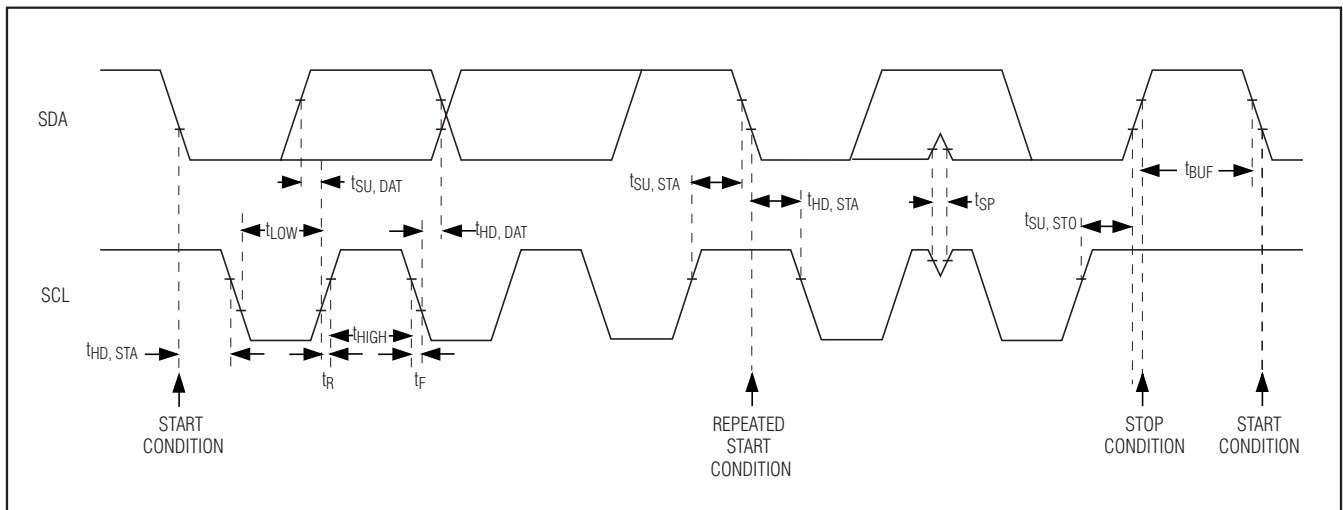


Figure 3. 2-Wire Serial-Interface Timing Diagram



# 20W Stereo Class D Speaker Amplifier with Volume Control

### Bit Transfer

One data bit is transferred during each SCL cycle. The data on SDA must remain stable during the high period of the SCL pulse. Changes in SDA while SCL is high are control signals (see the *START and STOP Conditions* section). SDA and SCL idle high when the I<sup>2</sup>C bus is not busy.

### START and STOP Conditions

A master device initiates communication by issuing a START condition. A START condition is a high to low transition on SDA with SCL high. A STOP condition is a low to high transition on SDA while SCL is high (Figure 4). A START (S) condition from the master signals the beginning of a transmission to the MAX9744. The master terminates transmission, and frees the bus, by issuing a STOP (P) condition. The bus remains active if a Repeated START (Sr) condition is generated instead of a STOP condition.

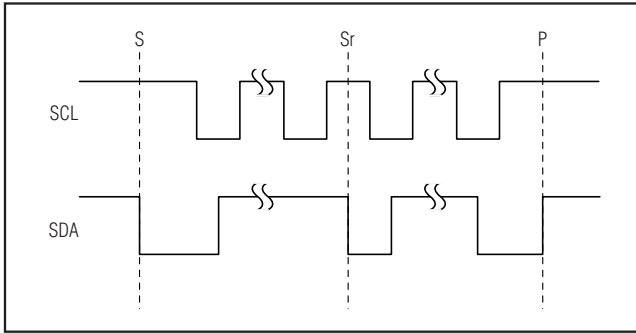


Figure 4. START, STOP, and Repeated START Conditions

### Early STOP Conditions

The MAX9744 recognizes a STOP condition at any point during data transmission except if the STOP condition occurs in the same high pulse as a START condition.

### Slave Address

The slave address of the MAX9744 is 8 bits and consists of 3 fields: the first field is 5 bits wide and is fixed (10010), the second is a 2 bit field which is set through ADDR1 and ADDR2 (externally connected as logic-high or logic-low), and the third field is a R/W flag bit. Set R/W = 0 to write to the slave. A representation of the slave address is shown in Table 3.

When ADDR1 and ADDR2 are connected to GND, serial interface communication is disabled. Table 4 summarizes the slave address of the device as a function of ADDR1 and ADDR2.

### Acknowledge

The acknowledge bit (ACK) is a clocked 9th bit that the MAX9744 uses to handshake receipt of each byte of data (see Figure 5). The MAX9744 pulls down SDA during the master-generated 9th clock pulse. The SDA line must remain stable and low during the high period of the acknowledge clock pulse. Monitoring ACK allows for detection of unsuccessful data transfers. An unsuccessful data transfer occurs if a receiving device is busy or if a system fault has occurred. In the event of an unsuccessful data transfer, the bus master may re-attempt communication.

Table 3. Slave Address Block

| SA7 (MSB) | SA6 | SA5 | SA4 | SA3 | SA2   | SA1   | SA0 (LSB) |
|-----------|-----|-----|-----|-----|-------|-------|-----------|
| 1         | 0   | 0   | 1   | 0   | ADDR2 | ADDR1 | R/W       |

Table 4. Slave Address

| ADDR2 | ADDR1 | SLAVE ADDRESS             |
|-------|-------|---------------------------|
| 0     | 0     | I <sup>2</sup> C disabled |
| 0     | 1     | 1001001_                  |
| 1     | 0     | 1001010_                  |
| 1     | 1     | 1001011_                  |

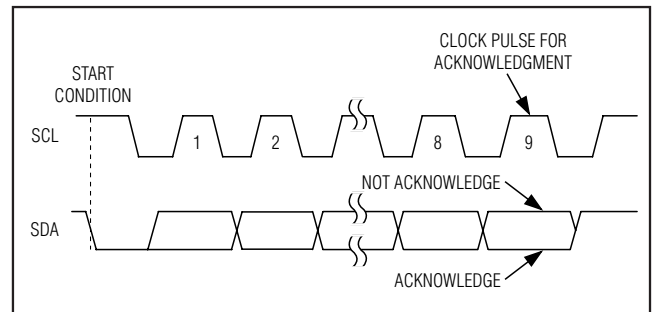


Figure 5. Acknowledge

# 20W Stereo Class D Speaker Amplifier with Volume Control

### Write Byte

A write to the MAX9744 includes transmission of a START condition, the slave address with the R/W bit set to 0 (see Table 3), one byte of data to the command register, and a STOP condition. Figure 6 illustrates the proper format for one frame.

A write to the MAX9744 consists of a 6-step sequence as seen below:

- 1) The **master** sends a START condition.
- 2) The **master** sends the 7 bits slave ID plus a write bit (low).
- 3) The addressed **slave** asserts an ACK on the data line.
- 4) The **master** sends 8 data bits.
- 5) The active **slave** asserts an ACK (or NACK) on the data line.
- 6) The **master** generates a stop condition.

### Speaker Volume Control

The command register is used to control the volume level of the speaker amplifier. The two MSBs (A1 and A0) are set to 00, while V5–V0 is the data that is written into the addresses register to set the volume level (Tables 5 and 6).

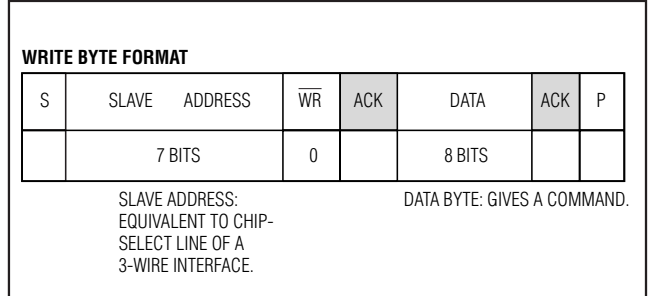


Figure 6. Write Byte Format Example

### Filterless Modulation/PWM

The MAX9744 features two output modulation schemes: filterless modulation or classic PWM, selectable through the I<sup>2</sup>C interface. Table 6 shows the register command to set the output scheme.

When switching between schemes, the output is not click-and-pop protected. To have click-and-pop protection when switching between output schemes, the device must enter shutdown mode and be configured to the new output scheme before the 220ms startup sequence is terminated.

Table 5. Data Byte Format

| D7 (MSB) | D6 | D5 | D4 | D3 | D2 | D1 | D0 (LSB) |
|----------|----|----|----|----|----|----|----------|
| A1       | A0 | V5 | V4 | V3 | V2 | V1 | V0       |

Table 6. Command Register Programming

| A0A1 | V5–V0  | SETTING                |
|------|--------|------------------------|
| 00   | XXXXXX | Volume level (Table 7) |
| 01   | 000000 | Filterless modulation  |
| 01   | 000001 | Classic PWM            |

| A0A1 | V5–V0  | SETTING          |
|------|--------|------------------|
| 10   | XXXXXX | Reserved         |
| 11   | 000100 | Increased volume |
| 11   | 000101 | Decreased volume |

# 20W Stereo Class D Speaker Amplifier with Volume Control

MAX9744

Table 7. Speaker Volume Levels

| V5 | V4 | V3 | V2 | V1 | V0 | VOLUME POSITION | SDA/VOL                  | VOLUME           |
|----|----|----|----|----|----|-----------------|--------------------------|------------------|
|    |    |    |    |    |    |                 | VOLUME INPUT VOLTAGE (V) | ATTENUATION (dB) |
| 1  | 1  | 1  | 1  | 1  | 1  | 63              | $0.100 \times V_{DD}$    | 9.5              |
| 1  | 1  | 1  | 1  | 1  | 0  | 62              | $0.113 \times V_{DD}$    | 8.8              |
| 1  | 1  | 1  | 1  | 0  | 1  | 61              | $0.125 \times V_{DD}$    | 8.2              |
| 1  | 1  | 1  | 1  | 0  | 0  | 60              | $0.138 \times V_{DD}$    | 7.6              |
| 1  | 1  | 1  | 0  | 1  | 1  | 59              | $0.151 \times V_{DD}$    | 7.0              |
| 1  | 1  | 1  | 0  | 1  | 0  | 58              | $0.163 \times V_{DD}$    | 6.5              |
| 1  | 1  | 1  | 0  | 0  | 1  | 57              | $0.176 \times V_{DD}$    | 5.9              |
| 1  | 1  | 1  | 0  | 0  | 0  | 56              | $0.189 \times V_{DD}$    | 5.4              |
| 1  | 1  | 0  | 1  | 1  | 1  | 55              | $0.202 \times V_{DD}$    | 4.9              |
| 1  | 1  | 0  | 1  | 1  | 0  | 54              | $0.214 \times V_{DD}$    | 4.4              |
| 1  | 1  | 0  | 1  | 0  | 1  | 53              | $0.227 \times V_{DD}$    | 3.9              |
| 1  | 1  | 0  | 1  | 0  | 0  | 52              | $0.240 \times V_{DD}$    | 3.4              |
| 1  | 1  | 0  | 0  | 1  | 1  | 51              | $0.252 \times V_{DD}$    | 2.9              |
| 1  | 1  | 0  | 0  | 1  | 0  | 50              | $0.265 \times V_{DD}$    | 2.4              |
| 1  | 1  | 0  | 0  | 0  | 1  | 49              | $0.278 \times V_{DD}$    | 2.0              |
| 1  | 1  | 0  | 0  | 0  | 0  | 48              | $0.290 \times V_{DD}$    | 1.6              |
| 1  | 0  | 1  | 1  | 1  | 1  | 47              | $0.303 \times V_{DD}$    | 1.2              |
| 1  | 0  | 1  | 1  | 1  | 0  | 46              | $0.316 \times V_{DD}$    | 0.5              |
| 1  | 0  | 1  | 1  | 0  | 1  | 45              | $0.329 \times V_{DD}$    | -0.5             |
| 1  | 0  | 1  | 1  | 0  | 0  | 44              | $0.341 \times V_{DD}$    | -1.9             |
| 1  | 0  | 1  | 0  | 1  | 1  | 43              | $0.354 \times V_{DD}$    | -3.4             |
| 1  | 0  | 1  | 0  | 1  | 0  | 42              | $0.367 \times V_{DD}$    | -5.0             |
| 1  | 0  | 1  | 0  | 0  | 1  | 41              | $0.379 \times V_{DD}$    | -6.0             |
| 1  | 0  | 1  | 0  | 0  | 0  | 40              | $0.392 \times V_{DD}$    | -7.1             |
| 1  | 0  | 0  | 1  | 1  | 1  | 39              | $0.405 \times V_{DD}$    | -8.9             |
| 1  | 0  | 0  | 1  | 1  | 0  | 38              | $0.417 \times V_{DD}$    | -9.9             |
| 1  | 0  | 0  | 1  | 0  | 1  | 37              | $0.430 \times V_{DD}$    | -10.9            |
| 1  | 0  | 0  | 1  | 0  | 0  | 36              | $0.443 \times V_{DD}$    | -12.0            |
| 1  | 0  | 0  | 0  | 1  | 1  | 35              | $0.456 \times V_{DD}$    | -13.1            |
| 1  | 0  | 0  | 0  | 1  | 0  | 34              | $0.468 \times V_{DD}$    | -14.4            |
| 1  | 0  | 0  | 0  | 0  | 1  | 33              | $0.481 \times V_{DD}$    | -15.4            |
| 1  | 0  | 0  | 0  | 0  | 0  | 32              | $0.494 \times V_{DD}$    | -16.4            |

## 20W Stereo Class D Speaker Amplifier with Volume Control

Table 7. Speaker Volume Levels (continued)

| V5 | V4 | V3 | V2 | V1 | V0 | VOLUME POSITION | SDA/VOL                  | VOLUME           |
|----|----|----|----|----|----|-----------------|--------------------------|------------------|
|    |    |    |    |    |    |                 | VOLUME INPUT VOLTAGE (V) | ATTENUATION (dB) |
| 0  | 1  | 1  | 1  | 1  | 1  | 31              | $0.506 \times V_{DD}$    | -17.5            |
| 0  | 1  | 1  | 1  | 1  | 0  | 30              | $0.519 \times V_{DD}$    | -19.7            |
| 0  | 1  | 1  | 1  | 0  | 1  | 29              | $0.532 \times V_{DD}$    | -21.6            |
| 0  | 1  | 1  | 1  | 0  | 0  | 28              | $0.544 \times V_{DD}$    | -23.5            |
| 0  | 1  | 1  | 0  | 1  | 1  | 27              | $0.557 \times V_{DD}$    | -25.2            |
| 0  | 1  | 1  | 0  | 1  | 0  | 26              | $0.570 \times V_{DD}$    | -27.2            |
| 0  | 1  | 1  | 0  | 0  | 1  | 25              | $0.583 \times V_{DD}$    | -29.8            |
| 0  | 1  | 1  | 0  | 0  | 0  | 24              | $0.595 \times V_{DD}$    | -31.5            |
| 0  | 1  | 0  | 1  | 1  | 1  | 23              | $0.608 \times V_{DD}$    | -33.4            |
| 0  | 1  | 0  | 1  | 1  | 0  | 22              | $0.621 \times V_{DD}$    | -36.0            |
| 0  | 1  | 0  | 1  | 0  | 1  | 21              | $0.633 \times V_{DD}$    | -37.6            |
| 0  | 1  | 0  | 1  | 0  | 0  | 20              | $0.646 \times V_{DD}$    | -39.6            |
| 0  | 1  | 0  | 0  | 1  | 1  | 19              | $0.659 \times V_{DD}$    | -42.1            |
| 0  | 1  | 0  | 0  | 1  | 0  | 18              | $0.671 \times V_{DD}$    | -43.7            |
| 0  | 1  | 0  | 0  | 0  | 1  | 17              | $0.684 \times V_{DD}$    | -45.6            |
| 0  | 1  | 0  | 0  | 0  | 0  | 16              | $0.697 \times V_{DD}$    | -48.1            |
| 0  | 0  | 1  | 1  | 1  | 1  | 15              | $0.710 \times V_{DD}$    | -50.6            |
| 0  | 0  | 1  | 1  | 1  | 0  | 14              | $0.722 \times V_{DD}$    | -54.2            |
| 0  | 0  | 1  | 1  | 0  | 1  | 13              | $0.735 \times V_{DD}$    | -56.7            |
| 0  | 0  | 1  | 1  | 0  | 0  | 12              | $0.748 \times V_{DD}$    | -60.2            |
| 0  | 0  | 1  | 0  | 1  | 1  | 11              | $0.760 \times V_{DD}$    | -62.7            |
| 0  | 0  | 1  | 0  | 1  | 0  | 10              | $0.773 \times V_{DD}$    | -66.2            |
| 0  | 0  | 1  | 0  | 0  | 1  | 9               | $0.786 \times V_{DD}$    | -68.7            |
| 0  | 0  | 1  | 0  | 0  | 0  | 8               | $0.798 \times V_{DD}$    | -72.2            |
| 0  | 0  | 0  | 1  | 1  | 1  | 7               | $0.811 \times V_{DD}$    | -74.7            |
| 0  | 0  | 0  | 1  | 1  | 0  | 6               | $0.824 \times V_{DD}$    | -78.3            |
| 0  | 0  | 0  | 1  | 0  | 1  | 5               | $0.837 \times V_{DD}$    | -80.8            |
| 0  | 0  | 0  | 1  | 0  | 0  | 4               | $0.849 \times V_{DD}$    | -84.3            |
| 0  | 0  | 0  | 0  | 1  | 1  | 3               | $0.862 \times V_{DD}$    | -86.8            |
| 0  | 0  | 0  | 0  | 1  | 0  | 2               | $0.875 \times V_{DD}$    | -90.3            |
| 0  | 0  | 0  | 0  | 0  | 1  | 1               | $0.887 \times V_{DD}$    | -92.8            |
| 0  | 0  | 0  | 0  | 0  | 0  | 0               | $0.900 \times V_{DD}$    | MUTE             |

# 20W Stereo Class D Speaker Amplifier with Volume Control

## Applications Information

### Filterless Class D Operation

The MAX9744 meets common EMC radiation limits without a filter when the speaker leads are less than approximately 10cm. Using lengths beyond 10cm is possible verifying against the appropriate EMC standard.

For longer speaker wire lengths, up to approximately 1m, use a simple ferrite bead and capacitor filter to meet EMC limits. Select a ferrite bead with 100Ω to 600Ω impedance, and rated for at least 3A. The capacitor value varies based on the ferrite bead chosen and the actual speaker lead length. Select the capacitor value based on EMC performance. See Figure 7 for the correct connections of these components.

When evaluating the device without a filter or a ferrite bead filter, include a series inductor (68μH for 8Ω load and 33μH for 4Ω load) to model the actual loudspeaker's behavior. Omitting this inductor reduces the efficiency, the THD+N performance, and the output power of the MAX9744.

### Inductor-Based Output Filters

Some applications use the MAX9744 with a full inductor/capacitor-based (LC) output filter. This is common for longer speaker lead lengths and to gain increased margin to EMC limits. Select the PWM output mode and use fixed-frequency modulation mode for best audio performance. See Figure 8 for the correct connections of these components.

The component selection is based on the load impedance of the speaker. Table 8 lists suggested values for a variety of load impedances.

Inductors L1 and L2 and capacitor C1 form the primary output filter. In addition to these primary filter components, other components in the filter improve its functionality. Capacitors C4 and C5 plus resistors R1 and R2 form a Zobel at the output. A Zobel corrects the output loading to compensate for the rising impedance of the loudspeaker. Without a Zobel, the filter has a peak in its response near the cutoff frequency. Capacitors C2 and C3 provide common-mode noise suppression to reduce radiated emissions.

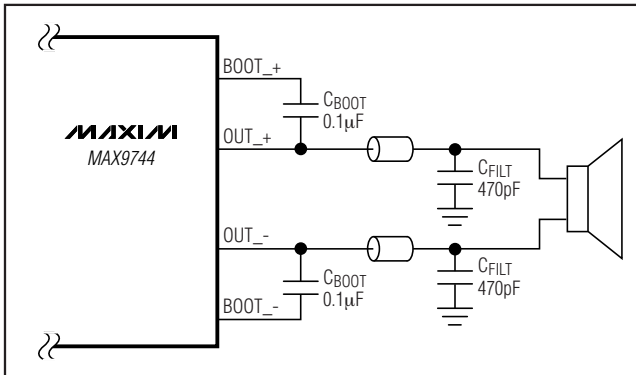


Figure 7. Ferrite Bead Filter

Table 8. Suggested Values for LC filter

| R <sub>L</sub> (Ω) | L1, L2 (μH) | C1 (μF) | C2, C3 (μF) | R1, R2 (Ω) | C4, C5 (μF) |
|--------------------|-------------|---------|-------------|------------|-------------|
| 4                  | 10          | 0.47    | 0.47        | 10         | 0.47        |
| 6                  | 15          | 0.33    | 0.22        | 15         | 0.33        |
| 8                  | 22          | 0.22    | 0.22        | 22         | 0.22        |

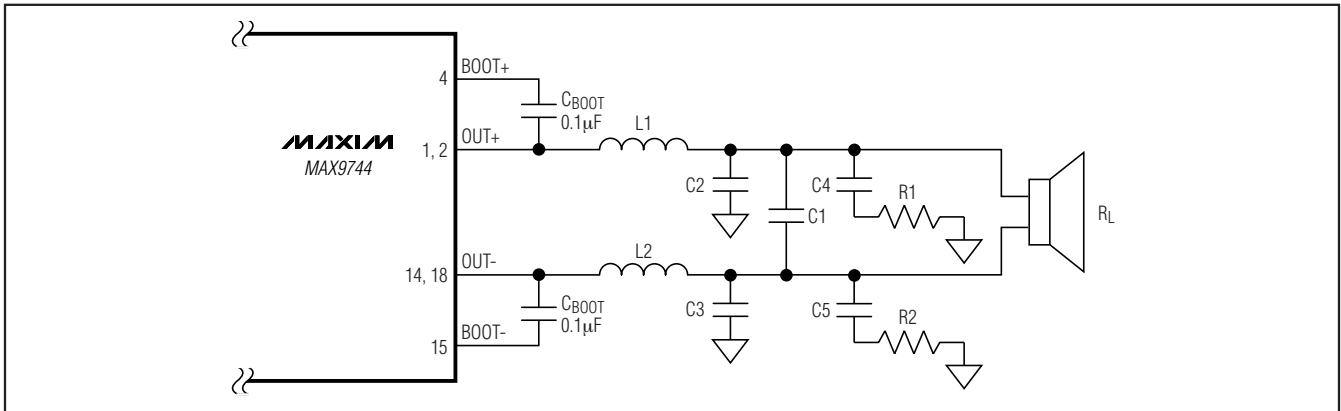


Figure 8. Output Filter for PWM Mode

# 20W Stereo Class D Speaker Amplifier with Volume Control

## Component Selection

### Gain-Setting Resistors

External feedback resistors set the gain of the MAX9744. The output stage has an internal 20dB gain in addition to the externally set input stage gain. Set the maximum gain by using resistors  $R_F$  and  $R_{IN}$  (Figure 9) as follows:

$$A_V = -30 \left( \frac{R_F}{R_{IN}} \right) V/V$$

Choose  $R_F$  between 10k $\Omega$  and 50k $\Omega$ . Note that the actual gain of the amplifier is dependent on the volume level setting. For example, with the volume set to +9.5dB, the amplifier gain would be 9.5dB plus 20dB, assuming  $R_{IN} = R_F$ .

The input amplifier can be configured into a variety of circuits. The FB terminal is an actual operational amplifier output, allowing the MAX9744 to be configured as a summing amplifier, a filter, or an equalizer, for example.

### Input Capacitor

An input capacitor ( $C_{IN}$ ) in conjunction with the input impedance of the MAX9744 form a highpass filter that removes the DC bias from an incoming signal. The AC-coupling capacitor allows the amplifier to automatically bias the signal to an optimum DC level. Assuming zero source impedance, the -3dB point of the highpass filter is given by:

$$f_{-3dB} = \frac{1}{2\pi R_{IN} C_{IN}}$$

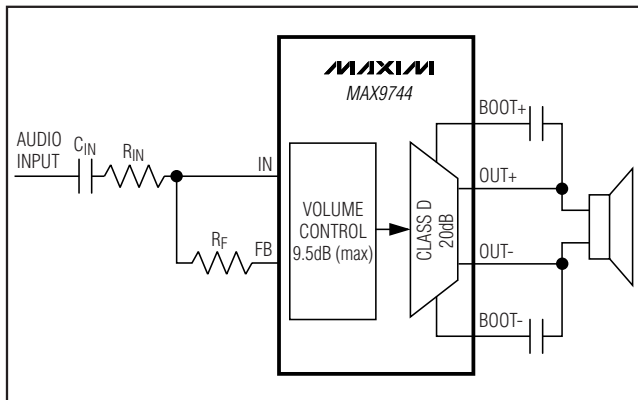


Figure 9. Setting Gain

Choose  $C_{IN}$  that  $f_{-3dB}$  is well below the lowest frequency of interest. Use capacitors whose dielectrics have low-voltage coefficients, such as tantalum or aluminum electrolytic. Capacitors with high-voltage coefficients, such as ceramics, may result in increased distortion at low frequencies.

### DC-Coupled Input

The input amplifier can accept DC-coupled inputs that are biased to the amplifier's bias voltage. DC-coupling eliminates input-coupling capacitors, reducing component count to potentially one external component. In this configuration the highpass filtering effect of the capacitors is lost, allowing low-frequency signals to be amplified.

### Power Supplies

The MAX9744 features separate supplies for each portion of the device, allowing for the optimum combination of headroom power dissipation and noise immunity. The speaker amplifier is powered from  $PV_{DD}$  and can range from 4.5V to 14V. The remainder of the device is powered by  $V_{DD}$ . Power supplies are independent of each other so sequencing is not necessary. Power may be supplied by separate sources or derived from a single higher source using a linear regulator (Figure 10).

### BIAS Capacitor

BIAS is the output of the internally generated DC bias voltage. The BIAS bypass capacitor,  $C_{BIAS}$ , improves PSRR and THD+N by reducing power supply and other noise sources at the common-mode bias node, and also generates the clickless/popless, startup/shutdown, DC bias waveforms for the speaker amplifiers. Bypass BIAS with a 2.2 $\mu$ F capacitor to GND.

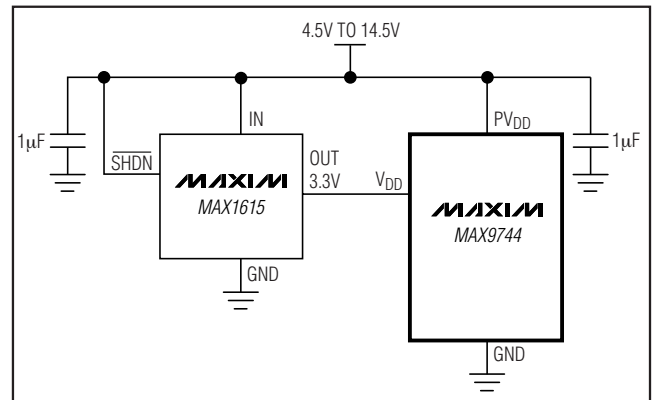


Figure 10. Using a Linear Regulator to Produce 3.3V from a Higher Power Supply

# 20W Stereo Class D Speaker Amplifier with Volume Control

MAX9744

## Supply Bypassing, Layout, and Grounding

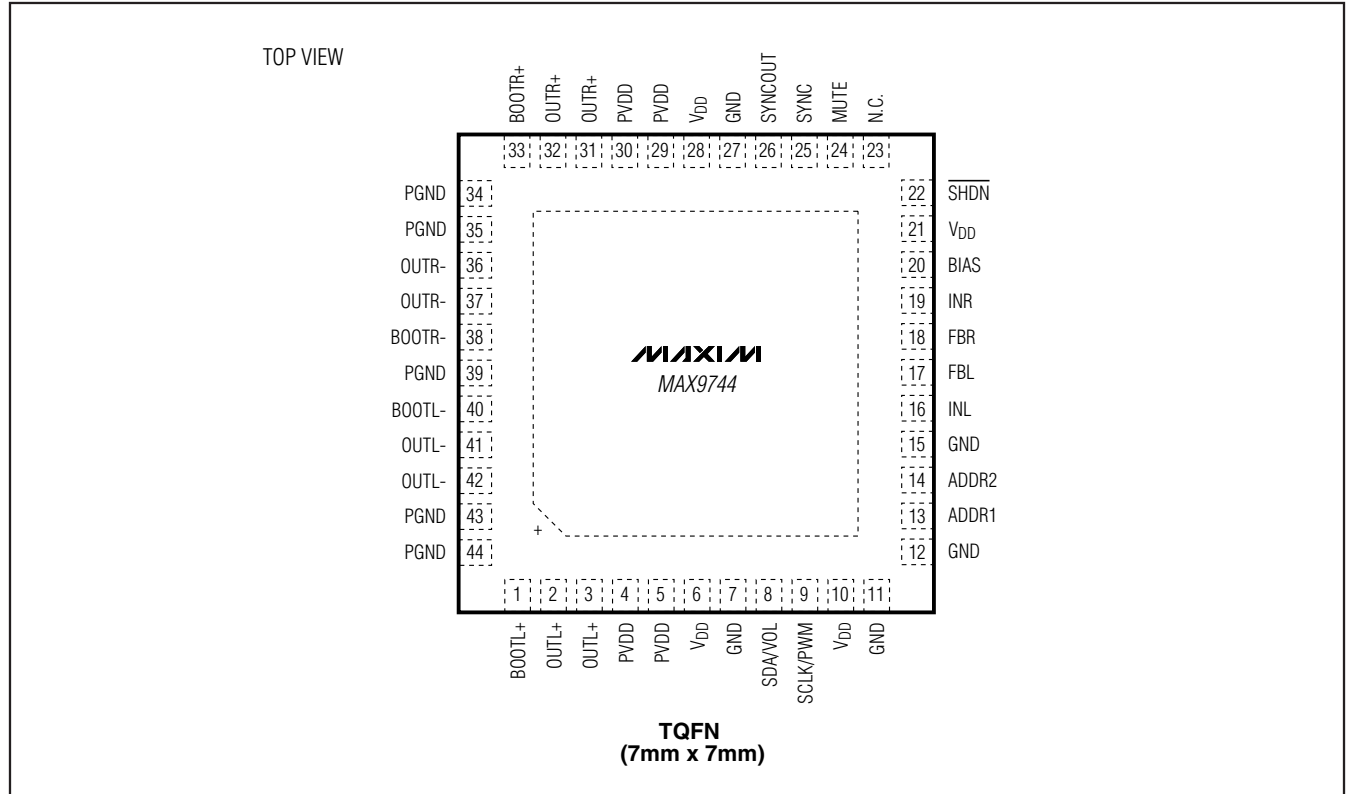
Proper layout and grounding are essential for optimum performance. Use large traces for the power-supply inputs and amplifier outputs to minimize losses due to parasitic trace resistance. Large traces also aid in moving heat away from the package. Proper grounding improves audio performance, minimizes crosstalk between channels, and prevents any switching noise from coupling into the audio signal. Connect PGND and GND together at a single point on the PCB. Route all traces that carry switching transients away from GND and the traces/components in the audio signal path.

Connect all PVDD power supplies together and bypass with a 1 $\mu$ F capacitor to PGND. Connect all VDD power supplies together and bypass with a 1 $\mu$ F capacitor to GND. Place a bulk capacitor between PVDD and PGND if needed.

Use large, low-resistance output traces. Current drawn from the outputs increase as load impedance decreases. High output trace resistance decreases the power delivered to the load. Large output, supply, and GND traces allow more heat to move from the MAX9744 to the air, decreasing the thermal impedance of the circuit.

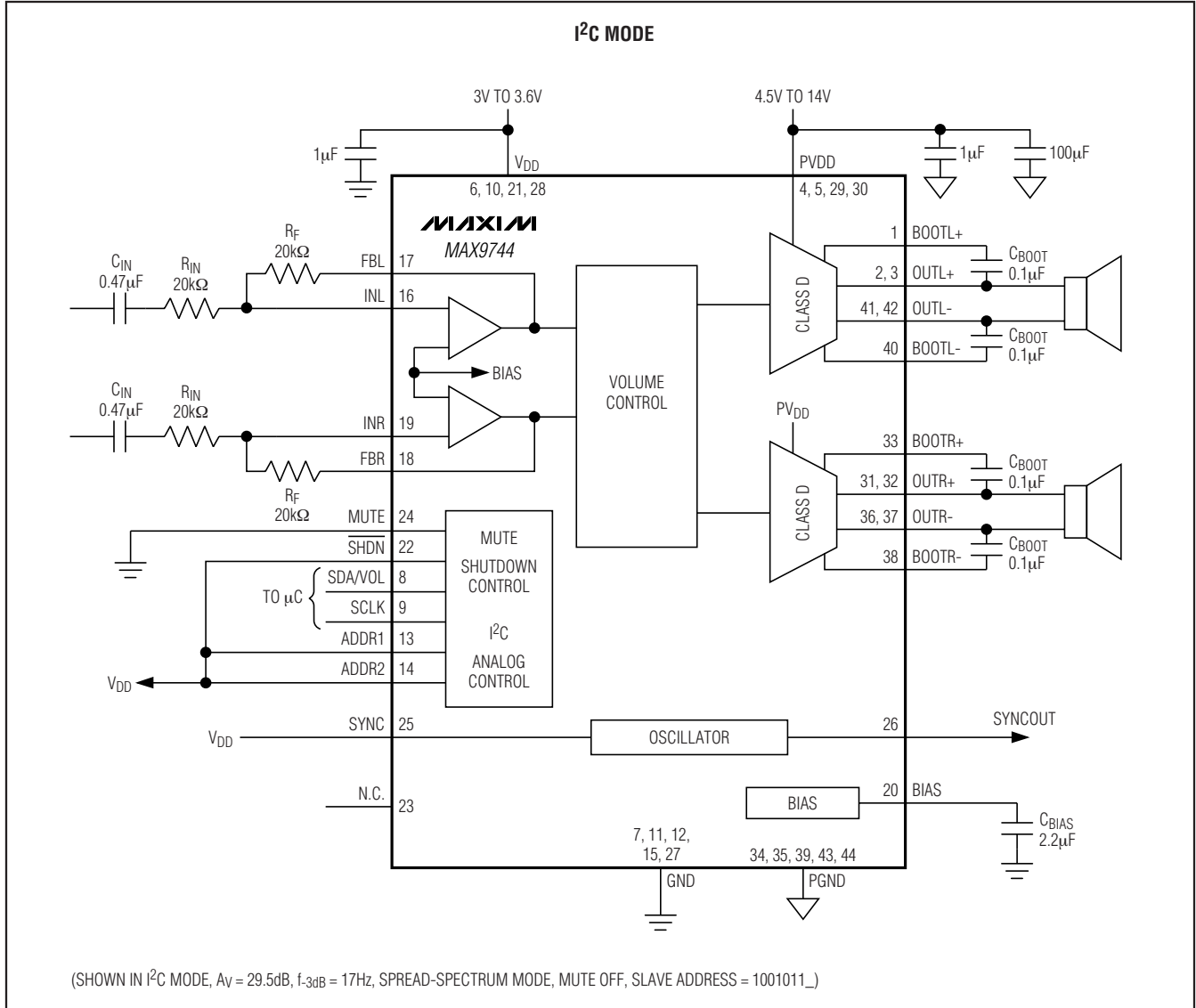
The MAX9744 thin QFN package features an exposed thermal pad on its underside. This pad lowers the package's thermal resistance by providing a direct heat conduction path from the die to the PCB. Connect the exposed thermal pad to PGND by using a large pad and multiple vias to the PGND plane. The exposed pad must be connected to PGND for proper device operation.

## Pin Configuration



# 20W Stereo Class D Speaker Amplifier with Volume Control

## Functional Diagrams/Typical Application Circuits

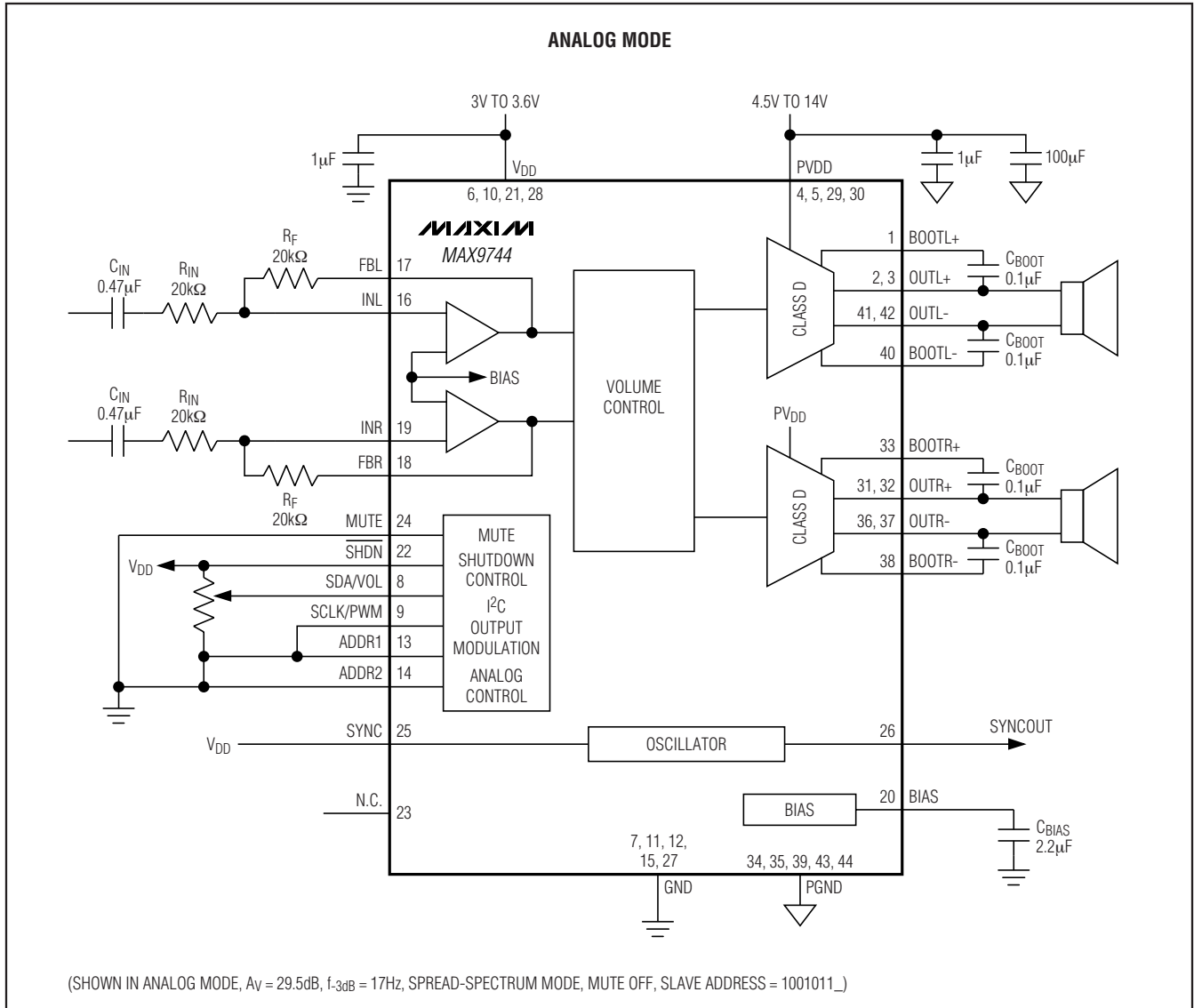




# 20W Stereo Class D Speaker Amplifier with Volume Control

## Functional Diagrams/Typical Application Circuits (continued)

MAX9744



### Chip Information

PROCESS: BICMOS

### Package Information

For the latest package outline information, go to [www.maxim-ic.com/packages](http://www.maxim-ic.com/packages).

| PACKAGE TYPE | PACKAGE CODE | DOCUMENT NO.            |
|--------------|--------------|-------------------------|
| 44 TQFN-EP   | T4477-3      | <a href="#">21-0144</a> |

Maxim cannot assume responsibility for use of any circuitry other than circuitry entirely embodied in a Maxim product. No circuit patent licenses are implied. Maxim reserves the right to change the circuitry and specifications without notice at any time.

Maxim Integrated Products, 120 San Gabriel Drive, Sunnyvale, CA 94086 408-737-7600 25