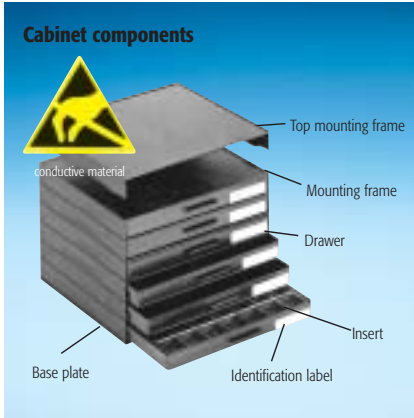


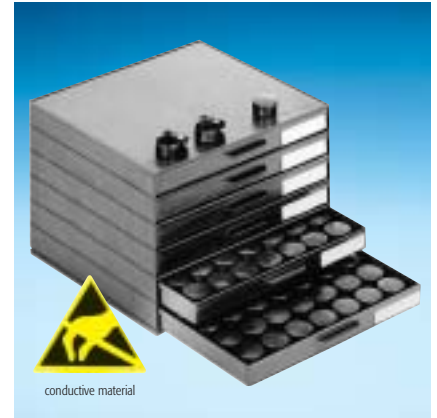
## SERIES A 1-1 DRAWER FORMAT



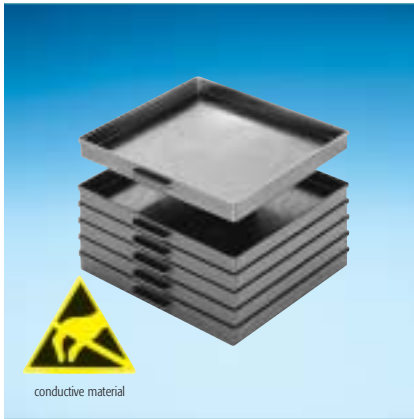
Art. No. **A 1-1 S** 6-fold Liostat  
 Drawer 261 x 238 x 20 (inside)  
 Characteristics conductive



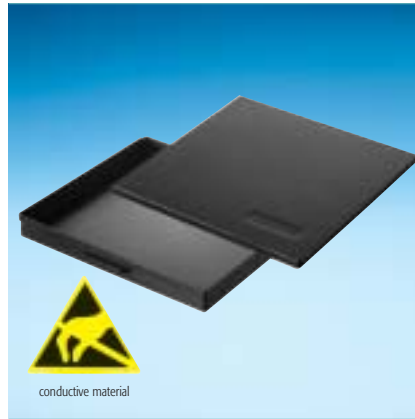
Art. No. **SK 730-6-10**  
 Drawer 261 x 238 x 20 (inside)  
 Characteristics conductive  
 Note Please order inserts and identification labels separately



Art. No. **A 1-1 SMD** complete with round boxes  
 Drawer 261 x 238 x 20 (inside)  
 Characteristics conductive  
 Note Please order identification labels separately, further designs (clear boxes with conducting layer) see page 73



Art. No. **A 1-1/16-6-10** as stackable box  
 Inside dimensions 261 x 238 x 20  
 Characteristics conductive



Art. No. **A 1-1/16-6-10** bottom part  
 Art. No. **+ A 1-1/4-6-10** lid as flat box  
 Inside dimensions 261 x 238 x 20  
 Characteristics conductive



Art. No. **A 1-1/16-6-10** bottom part  
 Art. No. **+ A 1-1/4-6-10** lid  
 Art. No. **+ TE ... W-6-10** insert see below as assortment case  
 Inside dimensions 261 x 238 x 20  
 Characteristics conductive

## VACUM FORMED STANDARD DRAWER INSERTS Conductive version Liostat \*) black, inside dimension of compartments, inside depth 16 mm

