

# PTVP - Low Cost Air Temperature Sensor

**Low Cost Air Temperature Sensor** - For measurement of temperatures in refrigerated holds, cargo and freeze compartments or general purpose applications, etc...,

- Resistance type PT100, Class B, 4 wire
- Sheath dimensions are 6 mm dia stainless steel x 80mm in length
- The connection box is a ABS plastic box, protection IP67
- Temp Range: -40°C to +80°C

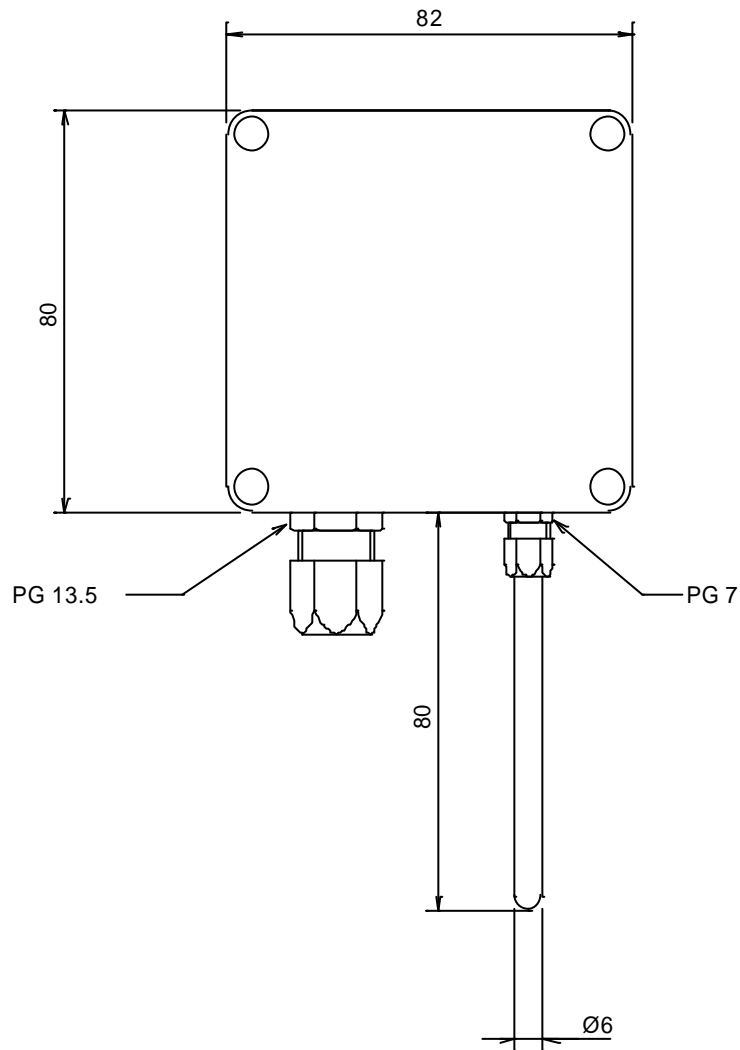
Global Part No.	Description
91-9415-03	Low Cost Air Sensor



ALL DIMENSIONS METRIC



DO NOT SCALE



ISSUE	MODIFICATION	DRAWN	APP	DATE	SHEET 1 OF 1 SHEETS.	THIS DRAWING REMAINS THE PROPERTY OF GLOBAL LIMITED AND MAY NOT BE REPRODUCED WITHOUT OUR PERMISSION.		GLOBAL MEASUREMENT AND CONTROL LTD.
						TITLE	DATE	
1	For Reference Only	S.A.	S.A.	10/01/05	MATERIAL	X ± 0.50	DRAWN	UNIT 17, FORD LANE BUSINESS PARK
2					FINISH CLEAN & BURR FREE	X.X ± 0.25	CHECKED	FORD LANE, NR ARUNDEL
3						X.XX ± 0.10	DATE	WEST SUSSEX BN18 0JZ
4					SCALE N.T.S.	TITLE	DRAWING NUMBER	TELEPHONE: 01243 555277
						PART NUMBER	XX-XXXX-XX	FAX: 01243 555177
						CLIST PART NO		