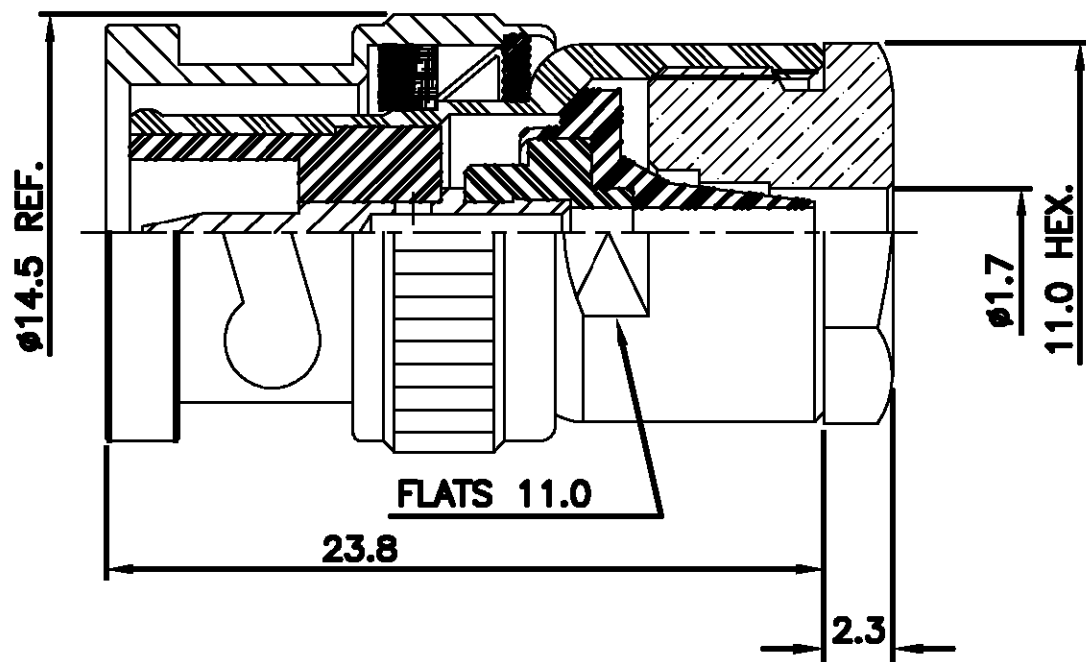


THIS DRAWING IS UNPUBLISHED. RELEASED FOR PUBLICATION 21-11-01.

© COPYRIGHT 2001 BY TYCO ELECTRONICS CORPORATION. ALL RIGHTS RESERVED.

LOC	DIST	REVISIONS					
		P	LTR	DESCRIPTION	DATE	DWN	APVD
E	B		B	EB00-0091-02	18-03-02	AJB	R.G
			A	RELEASE FOR PRODUCTION	21-11-01	AJB	FKV

⚠ SUPPLIED SEMI-ASSEMBLED (PACK CONTAINS LOOSE PIECES)
 VIEW SHOWS ASSEMBLED CONNECTOR (CABLE OMITTED)
 FOR CABLE TO CONNECTOR ASSEMBLY GUIDANCE
 REFER TO TYCO INSTRUCTION SHEET I.S 411 - 3267



ALL DIMENSIONS ARE NOMINAL. FOR REFERENCE ONLY.

DIE SET PART NUMBER	N/A
HANDTOOL PART NUMBER	N/A
FOR USE ON CABLES	RG174A/U, 188A/U, 316/U, URM95
CONNECTOR PLATING DETAIL	SILVER
CONTACT PLATING DETAIL	SILVER
DIELECTRIC MATERIAL	TEFLON
GASKET MATERIAL	WHITE SILICONE RUBBER

BAG	SINGLE ITEM	1-1478402-0
PACK TYPE	DESCRIPTION	PART NUMBER

THIS DRAWING IS A CONTROLLED DOCUMENT.		DWN	A.BEKEN	21-11-01	 Tyco Electronics Corporation Stanmore, Middlesex, HA7 4RS	
DIMENSIONS: MM		CHK	R.G	21-11-01		
		APVD	F.W-KING	21-11-01	NAME	BNC STRAIGHT PLUG SOLDER (PS) RG174 50 ohm
TOLERANCES UNLESS OTHERWISE SPECIFIED:		PRODUCT SPEC		108-3435	SIZE	A3
0 PLC ± -		APPLICATION SPEC		-	CAGE CODE	00779
1 PLC ± -		WEIGHT		-	DRAWING NO	C-1478402
2 PLC ± -		CUSTOMER DRAWING			RESTRICTED TO	-
3 PLC ± -		SCALE		NTS	SHEET	1 OF 1
4 PLC ± -		FINISH		-	REV	B
ANGLES ± -		MATERIAL		-		