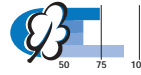


Power entry module Type KEB II


- Panel mount:
 - screw-on version, front or rear-side
 - snap-in version, front-side
- Appliance inlet with line switch, 2-pole
- Version with line filter/shield see page 90



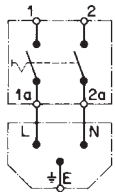
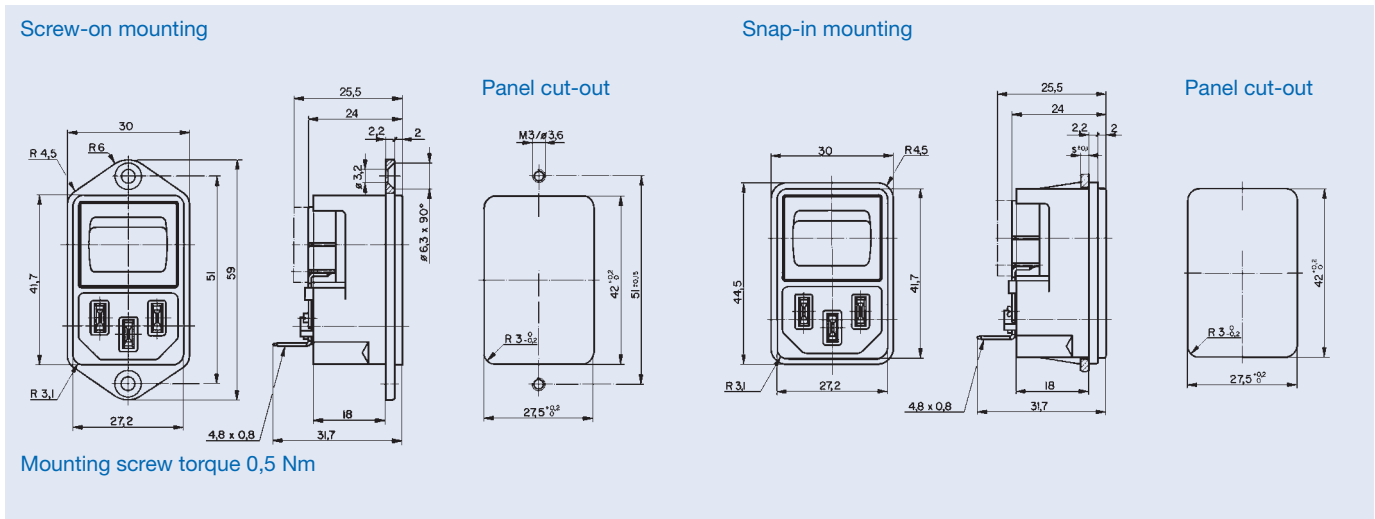
We recommend for new applications type DC12

Characteristics

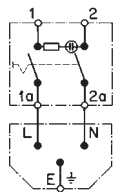
- All single elements are allready wired.
Unwired versions available on request.
- Line switch non-illuminated or illuminated.

| | |
|--|--|
| Rated voltage | 250 VAC |
| Rated current | 10 A; VDE, SEV, Semko 15 A/125-250 VAC; UL, CSA |
| Dielectric strength (50 Hz, 1 Min.) | > 2,5 kV between L-N/ > 3 kV between L/N-PE |
| Allowable ambient air temperatures T _a | -25 °C to +70 °C |
| Degree of protection (front-side) | IP40 acc. to IEC 60529 |
| Protection class | suitable for equipment with prot. cl. I, acc. to IEC 61140 |
| Terminals | quick-connect 4,8 x 0,8 mm/tin-plated |
| Panel thickness s | screw-on: max. 6 mm snap-in: 1,5/2/2,5 mm |
| Materials: Housing | Thermoplastic, black, UL94 V-0 |
| Appliance-inlet |  acc. to IEC/EN 60320-1/C14, Protection class I, pin-temperature 70 °C (cold condition) |
| Line switch (Rocker switch) | 2-pole, non-illuminated or illuminated, acc. to IEC/EN 61058-1. Technical details see page 201 |

Dimensions



non-illuminated



illuminated

Order Numbers socket, with internal connections

| | Line switch | | Screw | Snap-in, panel-thickness s | | |
|-----------|-----------------|------------------------|-------|----------------------------|--------|--------|
| | non-illuminated | illuminated 250 V, red | | illuminated 250 V, green | 1,5 mm | 2,0 mm |
| 4302.2001 | • | | • | | | |
| 4302.2002 | • | | | • | | |
| 4302.2003 | • | | | | • | |
| 4302.2004 | • | | | | | • |
| 4302.2101 | | • | • | | | |
| 4302.2102 | | • | | • | | |
| 4302.2103 | | • | | | • | |
| 4302.2104 | | • | | | | • |
| 4302.2141 | | | • | | | |
| 4302.2142 | | | | • | | |
| 4302.2143 | | | | | • | |
| 4302.2144 | | | | | | • |

Other versions on request:

- for protection class II
- line switch with other rocker marking
- unwired versions

Accessories see page 171