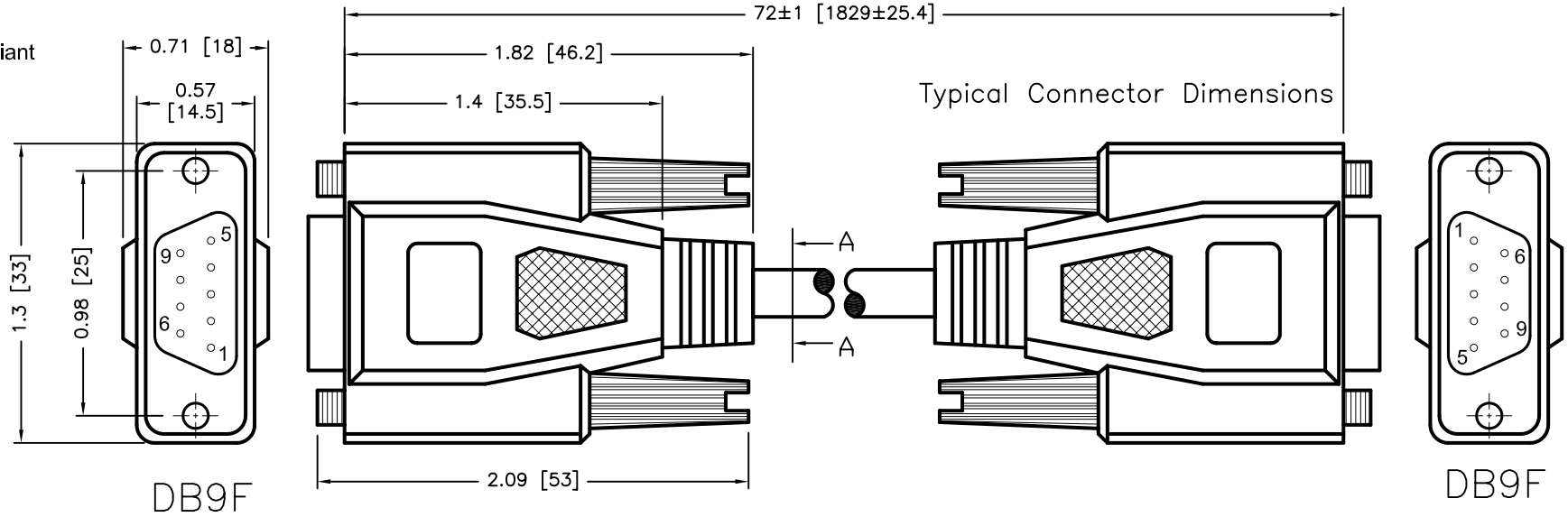


REVISIONS

DCP #	REV	DESCRIPTION	DRAWN	DATE	CHECKD	DATE	APPRVD	DATE
1906	A	RELEASED	EO	04/17/06	TL	05/25/06	HO	05/25/06

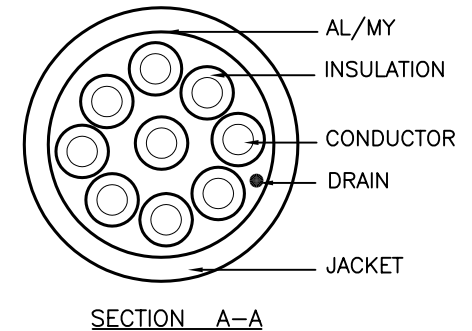


**Specifications:**

- Molded connector end requirements:
  - Inner mold using PE
  - Aluminum foil wrap to connector
  - PVC - 45P, Platinum gray
- Cable:
  - [28AWG (7/0.12)\*9C+AL/MY+DW(7/0.16)TIN
  - Wire: OD=0.78±0.03mm
  - Color: P1 Color Code
  - Jacket: PVC, OD = Ø5.0±0.15mm
  - Color: Platinum gray
- Thumbscrew: Male 4X47mm, Nickel plating
- Connectors: DB9P Female, Nickel plating, Insulator Color: Blue

PIN OUTS

DB9P FEMALE	WIRE COLOR	DB9P FEMALE
1	BLACK	1
2	BROWN	2
3	RED	3
4	ORANGE	4
5	YELLOW	5
6	GREEN	6
7	BLUE	7
8	PURPLE	8
9	WHITE	9
SHELL		SHELL



DISCLAIMER:  
ALL STATEMENTS AND TECHNICAL INFORMATION CONTAINED HEREIN ARE BASED UPON INFORMATION AND/OR TESTS WE BELIEVE TO BE ACCURATE AND RELIABLE. SINCE CONDITIONS OF USE ARE BEYOND OUR CONTROL, THE USER SHALL DETERMINE THE SUITABILITY OF THE PRODUCT FOR THE INTENDED USE AND ASSUME ALL RISK AND LIABILITY WHATSOEVER IN CONNECTION THEREWITH.

TOLERANCES:  
UNLESS OTHERWISE SPECIFIED, DIMENSIONS ARE FOR REFERENCE PURPOSES ONLY.

DRAWN BY:	DATE:
EKLAS ODISH	04/17/06
CHECKED BY:	DATE:
THOMAS LEE	05/25/06
APPROVED BY:	DATE:
HISHAM ODISH	05/25/06

DRAWING TITLE:  
Serial Data Cable, 6 FT, DB9 F/F, RoHS Complaint

SIZE	DWG. NO.	ELECTRONIC FILE	REV
A	SPC19942	83K3687.DWG	A
SCALE:	U.O.M.:	SHEET:	
NTS	INCHES [mm]	1 OF 1	