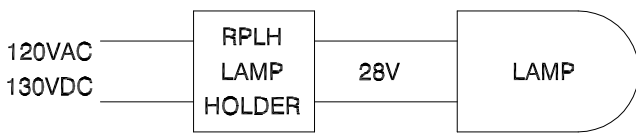


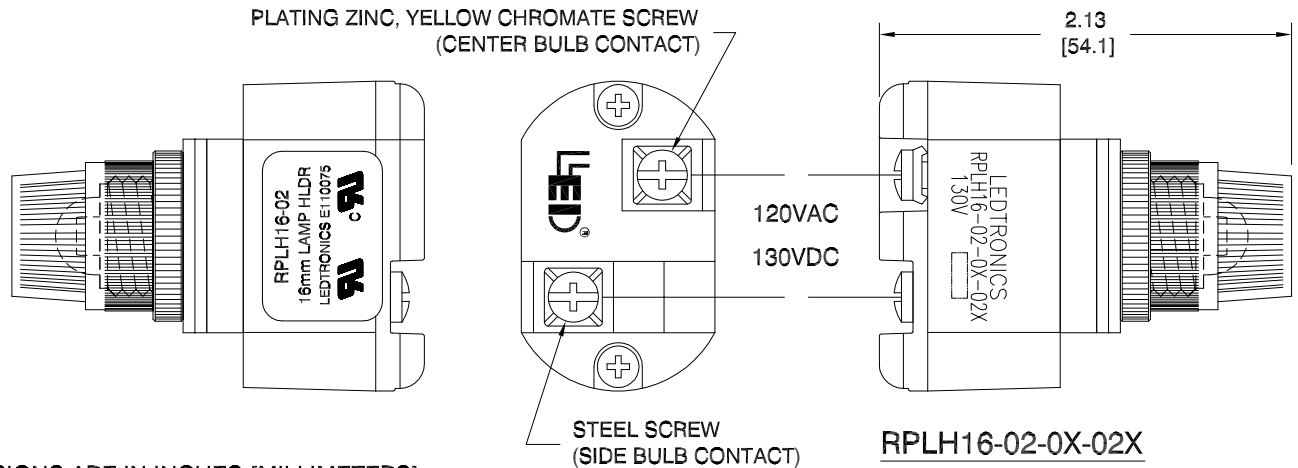
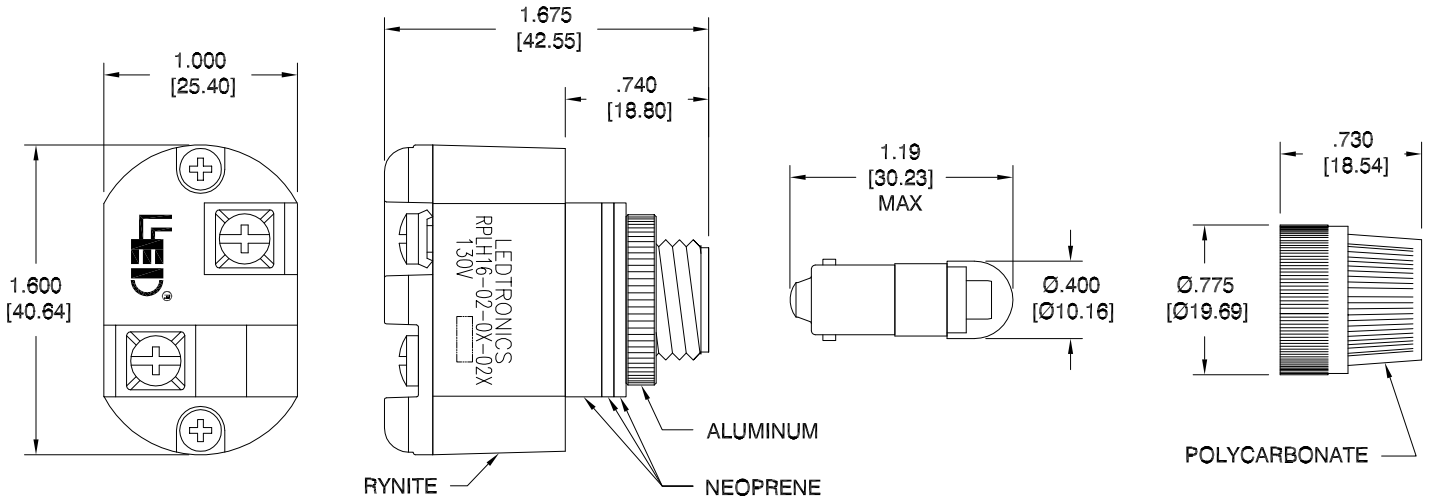
LTR	REVISION	DATE	APPD
E	012721-GP02: REMOVED NOTATIONS	01-27-21	GP



LAMP HOLDER SERIES - RPLH16-02

LED LAMP SERIES - RPLB-020X

LENS - RPLL16-XXF



NOTES:

1. ALL DIMENSIONS ARE IN INCHES [MILLIMETERS].
2. MOUNTING HOLE SIZE: $\varnothing 5/8"$ [$\varnothing 16\text{mm}$]
3. WEIGHT: 0.075 lbs. / 1.2 oz.



ELECTRICAL / OPTICAL CHARACTERISTICS (Ta = 25°C)

RPLH16-02-01-02	130Vdc/120Vac	0.014 A	1.82 W	635	RED	RPLH16-02	RPLB-0201-28V	RPLL16-CRF
RPLH16-02-02-02	130Vdc/120Vac	0.014 A	1.82 W	610	AMBER	RPLH16-02	RPLB-0203-28V	RPLL16-CAF
RPLH16-02-03-02	130Vdc/120Vac	0.014 A	1.82 W	595	YELLOW	RPLH16-02	RPLB-0204-28V	RPLL16-CYF
RPLH16-02-03-02A	130Vdc/120Vac	0.014 A	1.82 W	595	YELLOW	RPLH16-02	RPLB-0204-28V	RPLL16-CAF
RPLH16-02-04-02	130Vdc/120Vac	0.014 A	1.82 W	519	GREEN	RPLH16-02	RPLB-0206-28V	RPLL16-CGF
RPLH16-02-05-02	130Vdc/120Vac	0.014 A	1.82 W	462	BLUE	RPLH16-02	RPLB-0208-28V	RPLL16-CBF
RPLH16-02-06-02	130Vdc/120Vac	0.014 A	1.82 W	8000K	WHITE	RPLH16-02	RPLB-0209-28V	RPLL16-TWF
RPLH16-02-07-02	130Vdc/120Vac	0.014 A	1.82 W	8000K	CLEAR	RPLH16-02	RPLB-0209-28V	RPLL16-CWF
LEDTRONICS PART NO.	INPUT VOLTAGE, V	CURRENT (A)	POWER (W)	λ_p nm COLOR TEMP. (K)	COLOR EMITTED	LAMP HOLDER PART NO.	LED LAMP PART NO.	LENS PART NO.

LED[®]
LEDTRONICS,™ INC.
23105 KASHIWA COURT
TORRANCE, CA 90505

-PROPRIETARY-
This document contains Proprietary information of LEDTRONICS,™ INC. It may not be copied, used or disclosed for any purpose without the prior express written consent of LEDTRONICS,™ INC.
 .XXX ± .010 TOLERANCE PER ANSI-Y14.5
 .XX ± .025 (UNLESS OTHERWISE STATED)
 ANGLES ± 0°,30'
 FRACT. ± 1/32

TITLE					
RPLH16-02-0X-02X					
DWG NO	SCALE	SHEET	DATE		
H1602001-INT	1:1	1 OF 1	02-28-11		
CODE IDENT NO.	DWG BY	CHK BY	QA	MFG	R&D
8Z410	GP 02-28-11		SB 01-28-21	LD 01-27-21	LUV 01-27-21