

注) NOTES

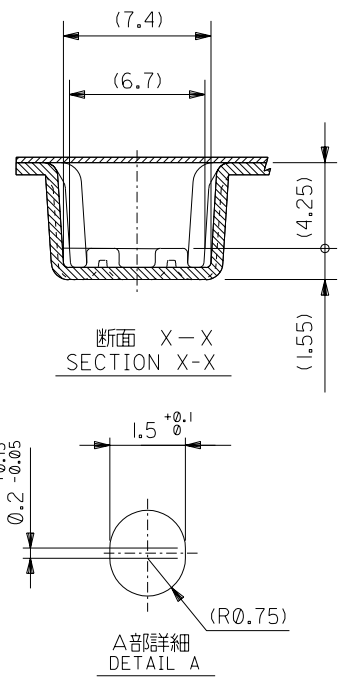
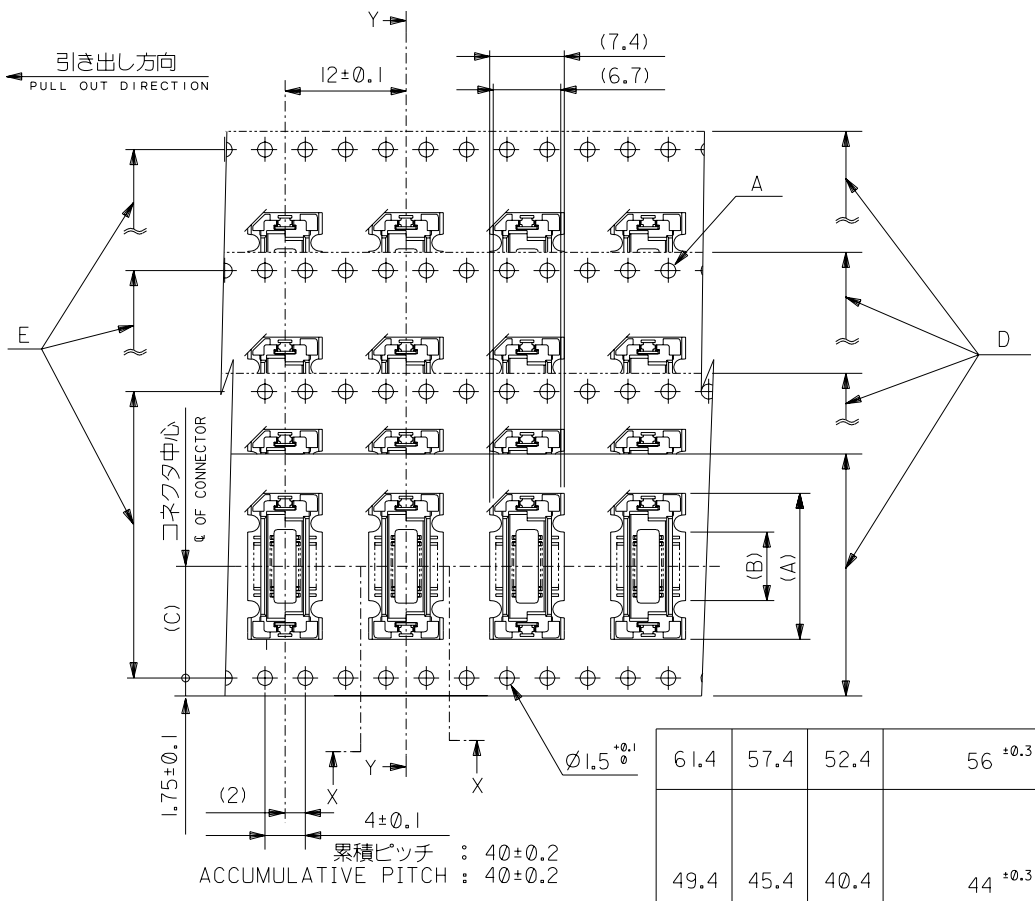
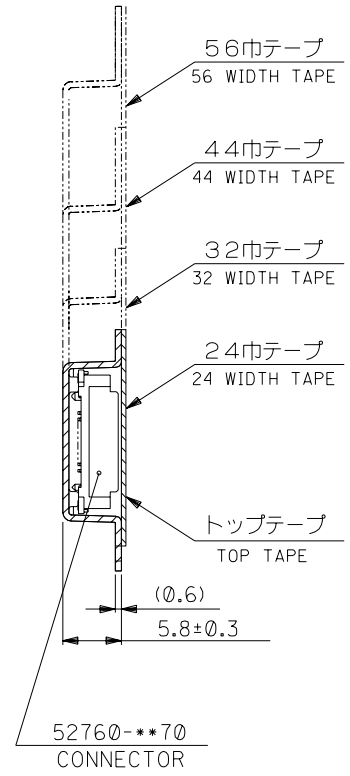
- 材質 MATERIAL
ハウジング : ガラス入りLCP, 白色, UL94V-0
HOUSING: LIQUID CRYSTAL POLYMER, GLASS FILLED, WHITE, UL94V-0
ターミナル : 銅合金 (t=0.2)
TERMINAL: COPPER ALLOY
補強金具 : 銅合金 (t=0.25)
FITTING NAIL: COPPER ALLOY
- メッキ仕様 PLATING
ターミナル: 接点部 : 金メッキ 0.25 μmMIN.
TERMINAL: CONTACT AREA: GOLD 0.25 MICROMETER MINIMUM
半田付け部 : 錫メッキ 2.0 μmMIN.
SOLDER TAIL AREA: TIN 2.0 MICROMETER MINIMUM
下地メッキ : ニッケルメッキ 2.0 μmMIN.
UNDER-PLATING: NICKEL 2.0 MICROMETER MINIMUM
補強金具: 錫メッキ 1.0 μmMIN.
FITTING NAIL: TIN 1.0 MICROMETER MINIMUM
下地メッキ : ニッケルメッキ 1.0 μmMIN.
UNDER-PLATING: NICKEL 1.0 MICROMETER MINIMUM
- テールのバラツキ寸法
TAIL COPLANARITY
テール及び金具の平坦度は、0.1以下とする。
TAIL AND FITTING NAIL COPLANARITY TO BE 0.1 MAXIMUM.
- エンボス対応済みの極数については、SD-52760-014を参照下さい。
FOR THE EMBOSSED PACKAGE PRODUCTS, SEE SD-52760-014.

5. 本製品は52760-***0の鉛フリー品である。
THIS PRODUCT IS LEAD FREE OF 52760-***0.

10 mm	53553 SERIES
9 mm	53552 SERIES
8 mm	53551 SERIES
7 mm	53481 SERIES
6 mm	53467 SERIES
5 mm	53475 SERIES
基板間寸法	嵌合相手
STACKING HEIGHT	TO BE MATED WITH

無し NO	80.47	84.07	78.87	75.565	→	52760-2479	52760-2470	240	—
	67.77	71.37	66.17	62.865	→	-2079	-2070	200	○
	61.42	65.02	59.82	56.515	→	-1879	-1870	180	○
	55.07	58.67	53.47	50.165	→	-1679	-1670	160	○
	48.72	52.32	47.12	43.815	→	-1479	-1470	140	○
	42.37	45.97	40.77	37.465	→	-1279	-1270	120	○
	36.02	39.62	34.42	31.115	52760-1078	-1079	-1070	100	○
	32.85	36.45	31.25	27.94	↑ -0978	-0979	-0970	90	○
	29.67	33.27	28.07	24.765	-0878	-0879	-0870	80	○
	26.5	30.1	24.9	21.59	-0778	-0779	-0770	70	○
有り YES	25.86	29.43	24.26	20.955	-6878	-6879	-6870	68	○
	23.32	26.92	21.72	18.415	-0678	-0679	-0670	60	○
	20.15	23.75	18.55	15.24	-0578	-0579	-0570	50	○
	16.97	20.57	15.37	12.065	-0478	-0479	-0470	40	○
13.8	17.4	12.2	8.89	↓ -0378	-0379	-0370	30	○	
10.62	14.22	9.02	5.715	52760-0278	52760-0279	52760-0270	20	○	
ハウジングロック HSG LOCK	D	C	B	A	エンボス梱包 EMBOSSED PACKAGING	スティック梱包 STICK PACKAGING	製品番号 MATERIAL NO.	極数 CKT. NO.	備考 AVAILABLE

REVISED EC NO: J2007-0439 DR: W/NABEI CHK: K/TYOODA APPR: NUKITA	DESCRIPTION 2006/08/22 2006/08/25 2006/09/05	GENERAL TOLERANCES (UNLESS SPECIFIED)		DIMENSION STYLE MM ONLY		SCALE ---	DESIGN UNIT'S METRIC	MODEL NO. 52760-***70	
		10 UNDER	± 0.2	DRAWN BY Y. WADA	DATE '04/02/26	TITLE 0.635 PITCH B-T0-B S/T REC. HSG ASSY -LEAD FREE-			
		10 OVER 30 UNDER	± 0.25	CHECKED BY M. SASAO	DATE '04/02/26	MOLEX MOLEX INCORPORATED			
		30 OVER	± 0.3	APPROVED BY M. SASAO	DATE '04/02/26	DOCUMENT NO. SD-52760-013			
		ANGULAR	± 3 °	MATERIAL NO. SEE CHART		SHEET NO. 1 OF 1			
DRAFT WHERE APPLICABLE MUST REMAIN WITHIN DIMENSIONS		SIZE A3		THIS DRAWING CONTAINS INFORMATION THAT IS PROPRIETARY TO MOLEX INCORPORATED AND SHOULD NOT BE USED WITHOUT WRITTEN PERMISSION					



61.4	57.4	52.4	56 ^{+0.3}	26.2	32.2	39.9	52760-1078	100	—
					29.1	36.8	-0978	90	—
					25.9	33.6	-0878	80	○
					22.7	30.4	-0778	70	○
					22.1	29.8	-6878	68	○
					19.5	27.2	-0678	60	○
					16.4	24.1	-0578	50	○
					13.2	20.9	-0478	40	○
					10.0	17.7	-0378	30	○
49.4	45.4	40.4	44 ^{+0.3}	20.2	6.8	14.5	52760-0278	20	—
37.4	33.4	28.4	32 ^{+0.3}	14.2					
29.4	25.4	—	24 ^{+0.3}	11.5					
G	F	E	D	C	(B)	(A)	MATERIAL NO.	極数 CKT. NO.	量産対応 AVAILABLE

EC NO. DRWN: CHK: APPR:	EC NO. DRWN: CHK: APPR:	EC NO. DRWN: CHK: APPR:	EC NO. DRWN: CHK: APPR:	EC NO. DRWN: CHK: APPR:	RELEASED EC NO. J2004-2690 DRWN: Y.WADA '04/02/26 CHK: M.SASAO '04/02/26 APPR: M.SASAO '04/02/26	MATERIAL 材料	注 参照 SEE NOTES	GENERAL TOLERANCES: (UNLESS SPECIFIED) — 公差	SCALE — #	MODEL NO. DESIGN UNITS <input checked="" type="checkbox"/> mm <input type="checkbox"/> INCH	52760-***78	DIMENSIONS: <input type="checkbox"/> mm <input type="checkbox"/> INCH <input checked="" type="checkbox"/> mm ONLY	SHT REV
					DESCRIPTION	FINISH 仕上げ	注 参照 SEE NOTES	10 UNDER 未滿	10 OVER 以上	30 UNDER 未滿	30 OVER 以上	ANGLE 角度	THIS DRAWING CONTAINS INFORMATION THAT IS PROPRIETARY TO MOLEX INCORPORATED AND SHOULD NOT BE USED WITHOUT WRITTEN PERMISSION.
					REV	WIRE RANGE 適用電線範囲	— #						
						INS. RANGE 被覆外径	— #						
													SIZE B