



AUDIO CABLE - GAC-4
4 CONDUCTOR DOUBLE SHIELDED CABLE

Sheet No. **PS 0011**

Date : 25.11.93

Issue No. 2

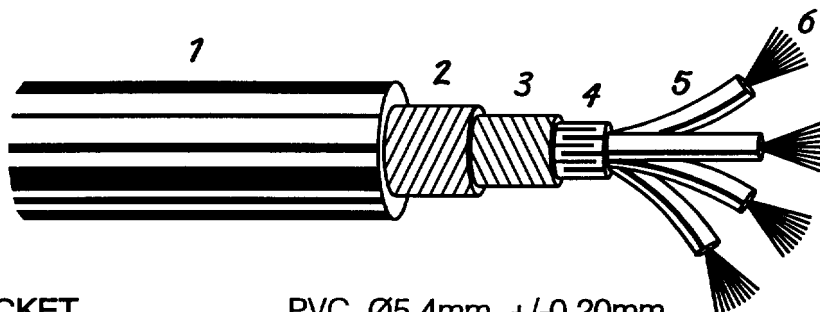
Sheet 1 of 1

Signature

Deltron Part No. **441-0100 - BLACK**

PRODUCT SPECIFICATION

Dimensions



- 1 - JACKET PVC, Ø5,4mm +/-0,20mm, velvet black (ultra soft)
- 2 - SHIELD NO. 1 Bare copper wire (0,10mm)
- 3 - SHIELD NO. 2 Bare copper wire (0,10mm)
- 4 - Viscose Fibre Coating counter wrapped to the core assembly
- 5 - INSULATION (CONDUCTOR) PE, Ø1,20mm +/-0,05mm, quad twisted, colours are white, ivory, pink and red
- 6 - CONDUCTOR Bare copper wire, 96 x 0,05mm (0,19mm²)

Features

TECHNICAL SPECIFICATION

Conductor resistance <= 108 Ohm/km

Shielding resistance <= 20 Ohm/km

Characteristic Impedance (at 20kHz) 180 Ohm

Test Voltage cond to cond: 500 Veff
 cond to shield: 2000 Veff

Capacitance

cond to cond: 65 pF/m
 cond to shield: 105 pF/m

Side Circuit Capacitance

55 pF/m

Side/Side Circuit Capacitance

135 pF/m

Noise Attenuation

130 dB (see wiring)

ORDERING DATA

Reels at 100m (4,6kg)
 packed in Gotham box
 300m (13,7kg) H327 spool

Weight/metre 0,042kg
 Colour matt black

MICROPHONE WIRING DIAGRAM (QUAD WIRING)

- 1 = red
- 2 = pink
- 3 = white
- 4 = ivory
- 5 = screening 1+2

