

## FEATURES AND SPECIFICATIONS

### Features and Benefits

- Complete line of terminal crimping equipment available (see Application Tooling section of this catalog)
- Accommodates 18 to 26 AWG
- Trifurcon design provides 3 distinct points of contact
- Ideal choice where high shock or vibration exists
- For low current/voltage, Gold is recommended
- Phosphor Bronze recommended for rated current

### Reference Information

Product Specification: PS-40-02

Packaging: Bag or reel

Tooling Information: See crimp tooling section

Use With: 6442 and 41695 crimp terminal housings

Designed In: Inches

### Electrical

Voltage: 250V AC max.

Current:

AWG	18	20	22	24	26
Phosphor Bronze (A) max.	7.00	6.25	5.50	5.00	4.50
Brass (A) max.	5.00	4.75	4.50	4.25	4.00

Contact Resistance: 6mΩ max.

Dielectric Withstanding Voltage: 1500V AC

Insulation Resistance: 50K MΩ min.

### Mechanical

Contact Insertion Force: 1.8kg (4 lb) max.

Contact Retention to Housing: 3.6kg (8 lb) min.

Wire Pull-Out Force: 20 lb max./18 AWG

Normal Force: 0.75kg (1.65 lb)

Durability: 25 cycles max.

### Physical

Contact: Brass or Phosphor Bronze

Plating: See Table

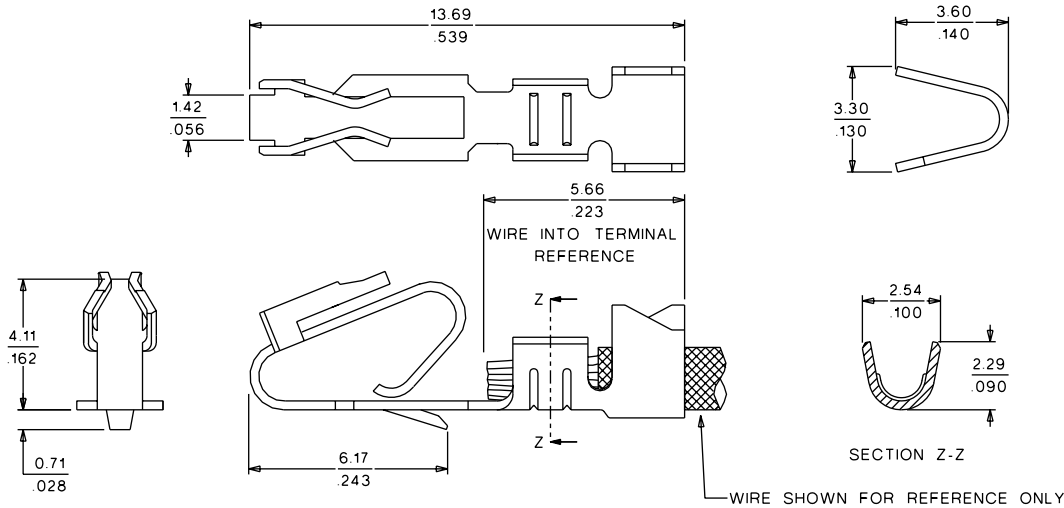
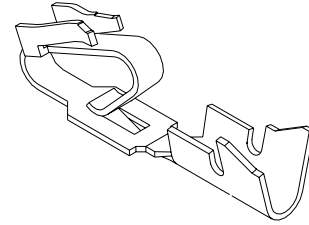
Temperature: Phosphor Bronze—0 to +75°C

Brass—0 to +50°C

# molex® 3.96mm (.156") Pitch KK® Crimp Terminal

## 6838/7258/6438

### Trifurcon™



Note: 6838 shown

## ORDERING INFORMATION AND DIMENSIONS

Wire Size AWG	Insulation OD	Series	Material	Order No.					
				Tin Plating		Gold Plating		Select Gold Plating	
				Bag	Reel	Bag	Reel	Bag	Reel
18-20	2.79 (.110) max.	6838	Phosphor Bronze	• 08-52-0113	• 08-52-0112	• 08-58-0189	• 08-58-0187	• 08-58-0111	• 08-58-0110
18-20	2.79 (.110) max.	6838	Brass	08-50-0189	08-50-0187				
22-26	1.65 (.065) max.	7258	Phosphor Bronze	• 08-52-0125	• 08-52-0124	• 08-56-0124	• 08-56-0123	• 08-65-0122	• 08-65-0121
22-26	1.65 (.065) max.	7258	Brass	08-50-0185	08-50-0183				
18-20	2.41 (.095) max.	6438	Brass	08-50-0165	08-50-0164	08-56-0139	08-56-0137	08-56-0133	08-56-0135

• US Standard Product, available through Molex franchised distributors