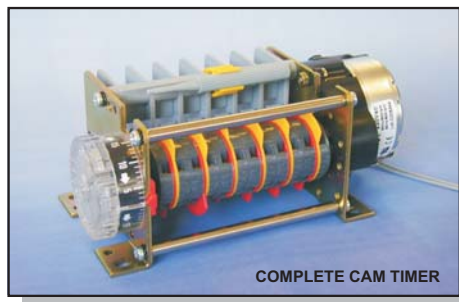
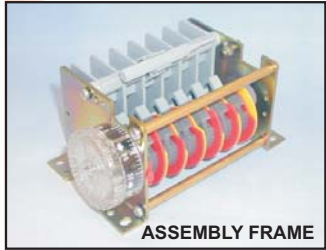


ANALOGUE TIMERS

ELECTROMECHANICAL CAM TIMERS



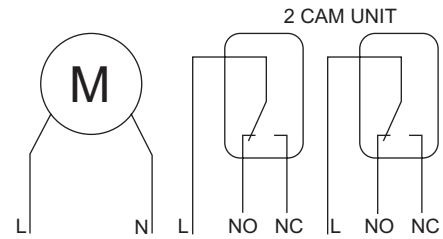
- Modular cam timer assembly kits
- Cycle time 3 secs to 24 hrs
- One on/off period per cycle
- 2, 4 or 6 micro switches
- 110 or 230V operation
- Screw adjustable cams (tool supplied)

These modular cam timer kits can be used to assemble timers with 2, 4 or 6 microswitches, cycle times (one revolution) from 3 seconds to 24 hours, supplied either from 110 or 230Vac. A complete timer gives one on/off switching period per cam per cycle and will need an assembly frame, a gear kit, a gearbox housing and a motor. The gear kits are colour coded for ease of assembly. The completed timer will accept standard V3 type microswitches (not supplied).

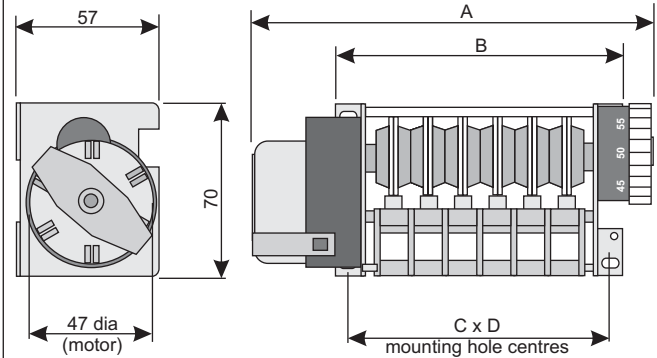
SPECIFICATION

Supply voltage : 110 or 230Vac
 Supply frequency : 50Hz
 Motor speed : 500rpm
 Power consumption : 2VA
 Lead length : 220mm
 Operating temp rise : 45°C typical
 Cam diameter : 42mm
 Microswitch type : V3
 Output rating : 16A @ 250Vac
 Insulation : 2000Vac
 Standard cycle times : Seconds kit : 3, 6, 12, 30 secs
 Minutes kit : 1, 2, 3, 6, 12, 30 mins
 Hours kit : 1, 2, 3, 6, 12, 24 hours
 Gearbox housing : Glass filled Nylon
 Minimum setting : 1/60 of cycle time
 Mechanical life : 8 years continuous operation
 Electrical life : 200,000 operations
 Operating temp : -10 to 55°C
 Weight (complete timer) : 2 way :350gms; 4 way : 400gms;
 6 way :450gms

CONNECTION DIAGRAM



DIMENSIONS (See table)



Fully assembled 6 cam version shown

| No Cams | A | B | C | D |
|---------|-----|-----|-----|----|
| 2 | 95 | 67 | 54 | 59 |
| 4 | 119 | 91 | 78 | 59 |
| 6 | 144 | 116 | 103 | 59 |

All dimensions in millimetres

STANDARD ITEMS

| Description | Part Number |
|-------------------------|-------------|
| 2 cam assembly frame | 5002 |
| 4 cam assembly frame | 5004 |
| 6 cam assembly frame | 5006 |
| Seconds gear kit | AM40 |
| Minutes gear kit | AM41 |
| Hours gear kit | AM42 |
| Gearbox housing & clip | AM59 |
| Drive motor 110Vac 50Hz | AM23 |
| Drive motor 230Vac 50Hz | AM24 |