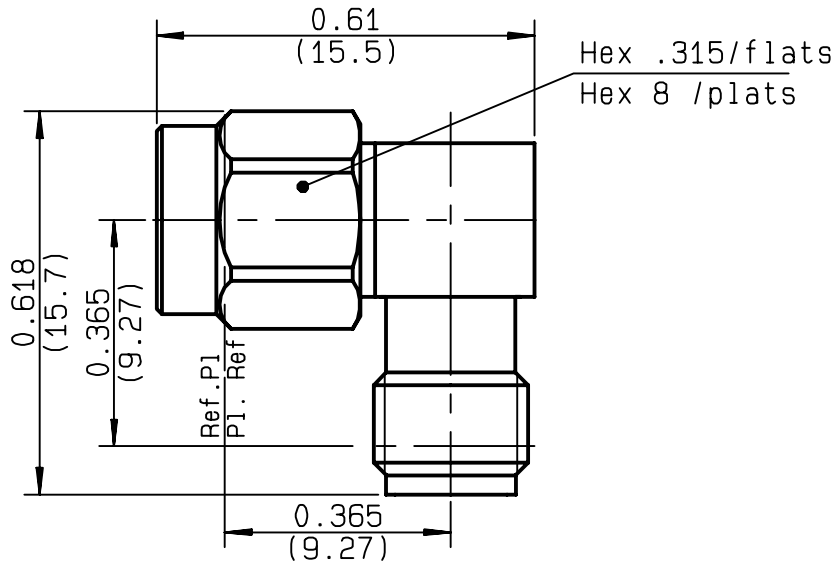


RIGHT ANGLE MALE - FEMALE ADAPTOR

R125.771.000

SERIES

SMA



NOMINAL IMPEDANCE	50 Ω
FREQUENCY RANGE	0-18 GHz
TEMPERATURE RATING	-65/+165 °C
V.S.W.R	1.10 + .006 x F(GHz)Maxi
RF INSERTION LOSS	0.07 √F(GHz) dB Maxi
VOLTAGE RATING	500 Veff Maxi
DIELECTRIC WITHSTANDING VOLTAGE	1000 Veff Mini
INSULATION RESISTANCE	5000 MΩMini
HERMETIC SEAL	NA Atm.cm ³ /s
LEAKAGE (pressurized only)	NA
MECHANICAL DURABILITY	500 Cycles
WEIGHT	gr
SPECIFICATION	

CABLES :	
OTHERS CHARACTERISTICS	
CABLE RETENTION	NA N Mini
CENTER CONTACT RETENTION	
Axial force - mating end	27 N Mini
Axial force - opposite end	27 N Mini
Torque	NA cm.N Mini
RECOMMENDED TORQUES	
Mating	110 cm.N
Panel nut	NA cm.N
Clamp nut	NA cm.N

CONNECTOR PARTS	MATERIALS	FINISH
BODY	STAINLESS STEEL	GOLD 0.5 OVER NICKEL 2
OUTER CONTACT		
CENTER CONTACT	BERYLLIUM COPPER	GOLD 0.5 OVER NICKEL 2
INSULATOR	PTFE	-
GASKET	SILICONE RUBBER	-
OTHERS PIECES	STAINLESS STEEL	GOLD 0.5 OVER NICKEL 2

(all values are given in micrometers)

AGRIDIOS

ISSUE	CREATION DATE	FILE PART-NUMBER
9904Q04	14/03/1991	



RADIALL®

The information given here is subject to change without notice. Design changes may be in order to improve the product .

Connect to the future