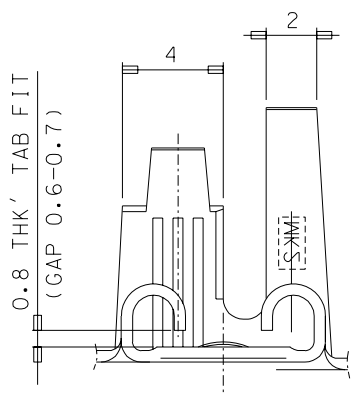
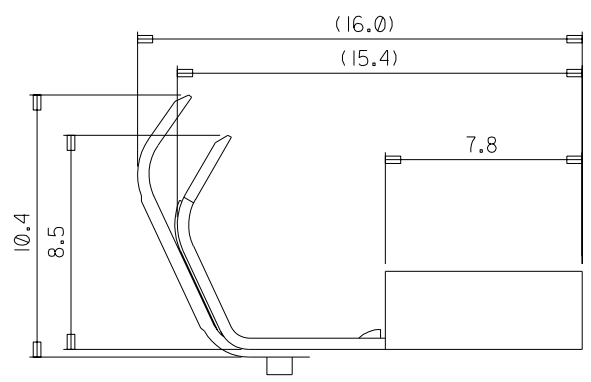
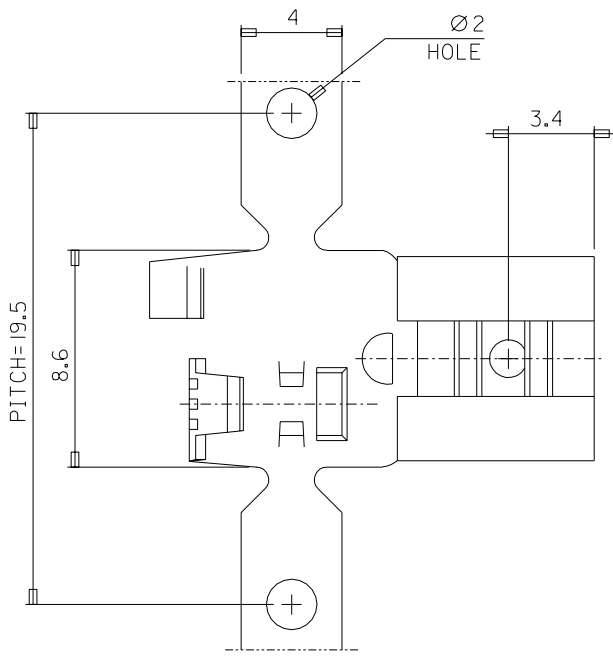
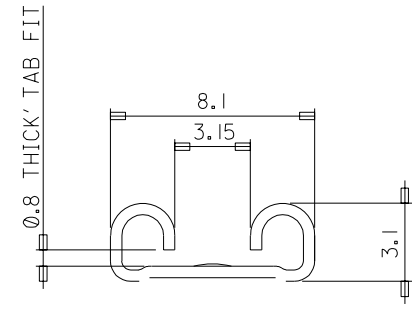


DO NOT SCALE DRAWING  
DIMENSION IN METRIC

PROJECT NO. SIMILAR ITEM DWG. NO. SD-35725-551



"D"



VIEW "D"

- NOTES
1. MATERIAL: BRASS, 0.45 THICK'
  2. FINISH : POST-TIN PLATED
  3. MATING TAB THICK: 0.8
  4. APPLICABLE WIRE RANGE: AWG #16-#14

REVISED	EC NO:KOR 2005-0011	QUALITY SYMBOLS MAJOR = 0 CRITICAL = 0	GENERAL TOLERANCES: (UNLESS SPECIFIED)		SCALE 5:1	DESIGN UNITS <input checked="" type="checkbox"/> mm <input type="checkbox"/> INCH	THIRD ANGLE PROJECTION	DIMENSIONS: <input type="checkbox"/> mm <input type="checkbox"/> INCH <input checked="" type="checkbox"/> mm ONLY		SHT	REV
	DRWN: C.B.CHIN 04/08/16		4 PLACES ±.     ±.	3 PLACES ±.     ±.	2 PLACES ±0.30   ±.	1 PLACE ±0.30   ±.		DRAWN BY & DATE W.Y.YANG 00/02/20		TITLE: .250 FLAG RECEPTACLE (LEFT ANGLE)	
	CHK: W.Y.YANG	DESCRIPTION	ANGULAR: ± °		APPROVED BY & DATE C.W.LEE 00/02/20		MOLEX INCORPORATED				
B1	APP: C.W.LEE		DRAFT WHERE APPLICABLE MUST REMAIN WITHIN DIMENSIONS		CAD FILENAME S5510AA.DGN	MATERIAL NO. 357255510	DRAWING NO. SD-35725-551	SHEET NO. 1 OF 1	THIS DRAWING CONTAINS INFORMATION THAT IS PROPRIETARY TO MOLEX INCORPORATED AND SHOULD NOT BE USED WITHOUT WRITTEN PERMISSION.		SIZE B