

## Product Change Notification

<b>product group:</b>	SEMIPONT	<b>Rev.:</b>	00
<b>no.:</b>	04/076		

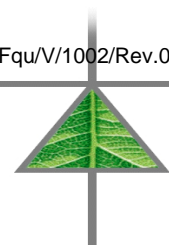
**subject of change:** New drawings for SKB 25, SKB 26 and SKD 25 with updated tolerances. The products remain unchanged.

**SEMIKRON product type:** Power Bridge Rectifiers with cases G10, G11 and G50 are listed below:

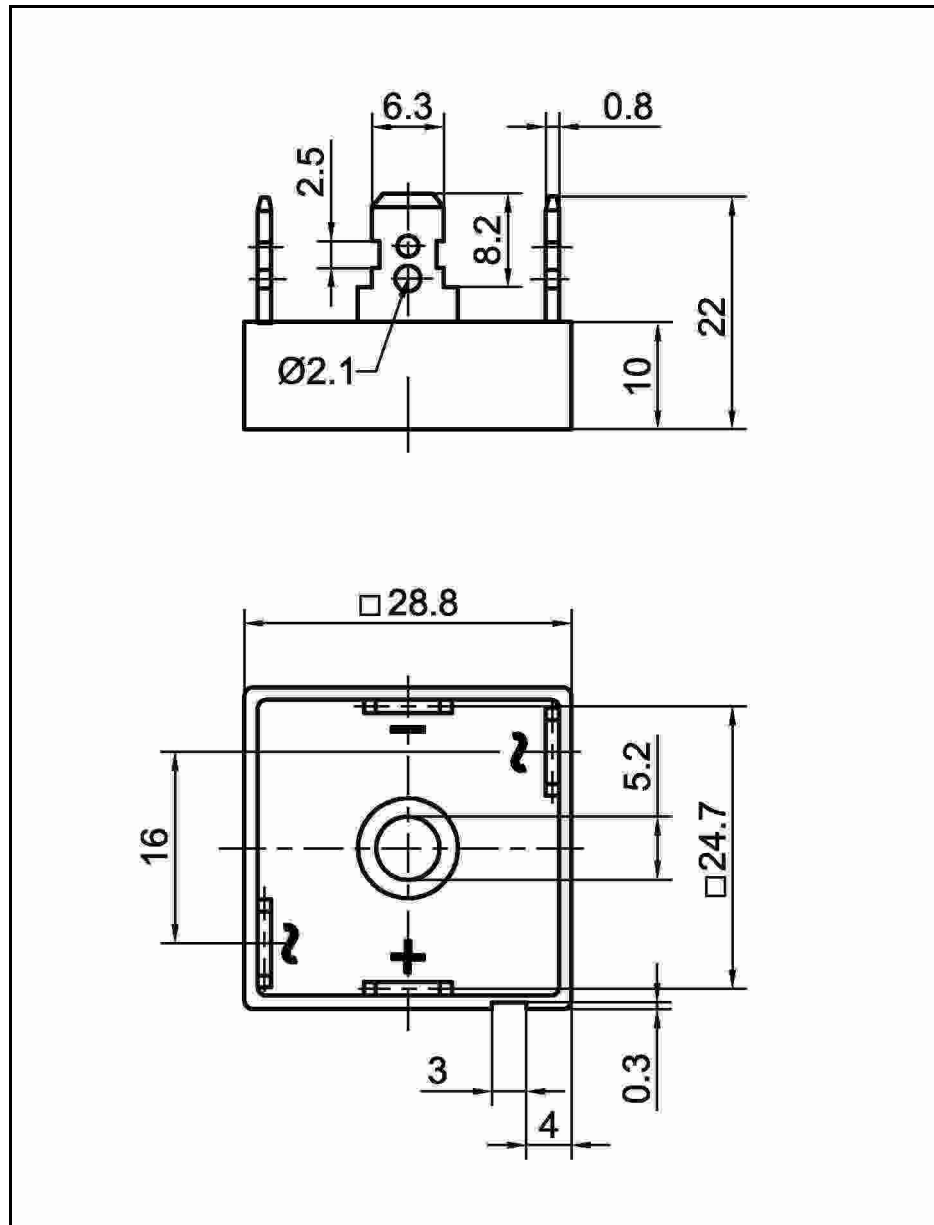
Product	Article Number
SKB 25/01	07238680
SKB 25/02	07238690
SKB 25/04	07238700
SKB 25/06	07238710
SKB 25/08	07238720
SKB 25/12	07238730
SKB 25/14	07238740
SKB 25/16	07238750
SKD 25/02	07275680
SKD 25/04	07275690
SKD 25/08	07275700
SKD 25/12	07275710
SKD 25/14	07275720
SKD 25/16	07275730
SKB 26/02	07221490
SKB 26/04	07221500
SKB 26/06	07221510
SKB 26/08	07200180
SKB 26/10	07221630
SKB 26/12	07221520
SKB 26/14	07221530
SKB 26/16	07221540

**description of change:** Tolerances of above mentioned cases are changed in the data sheets.

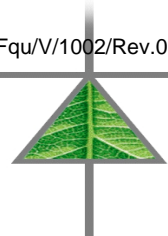
**reason for change:** Update of data sheet drawings.

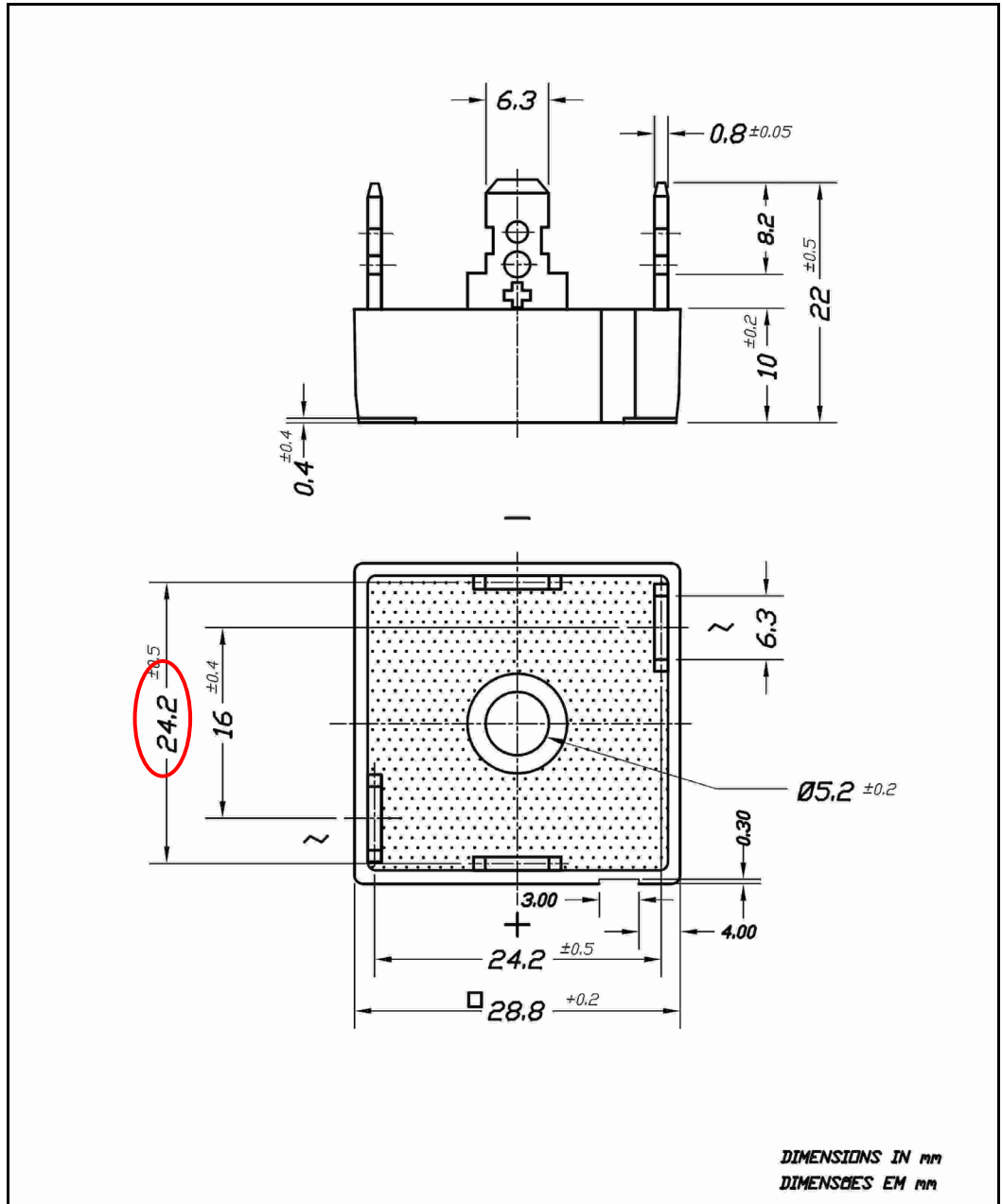


identification  
of change:

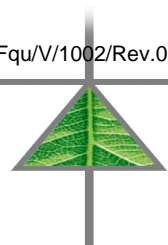


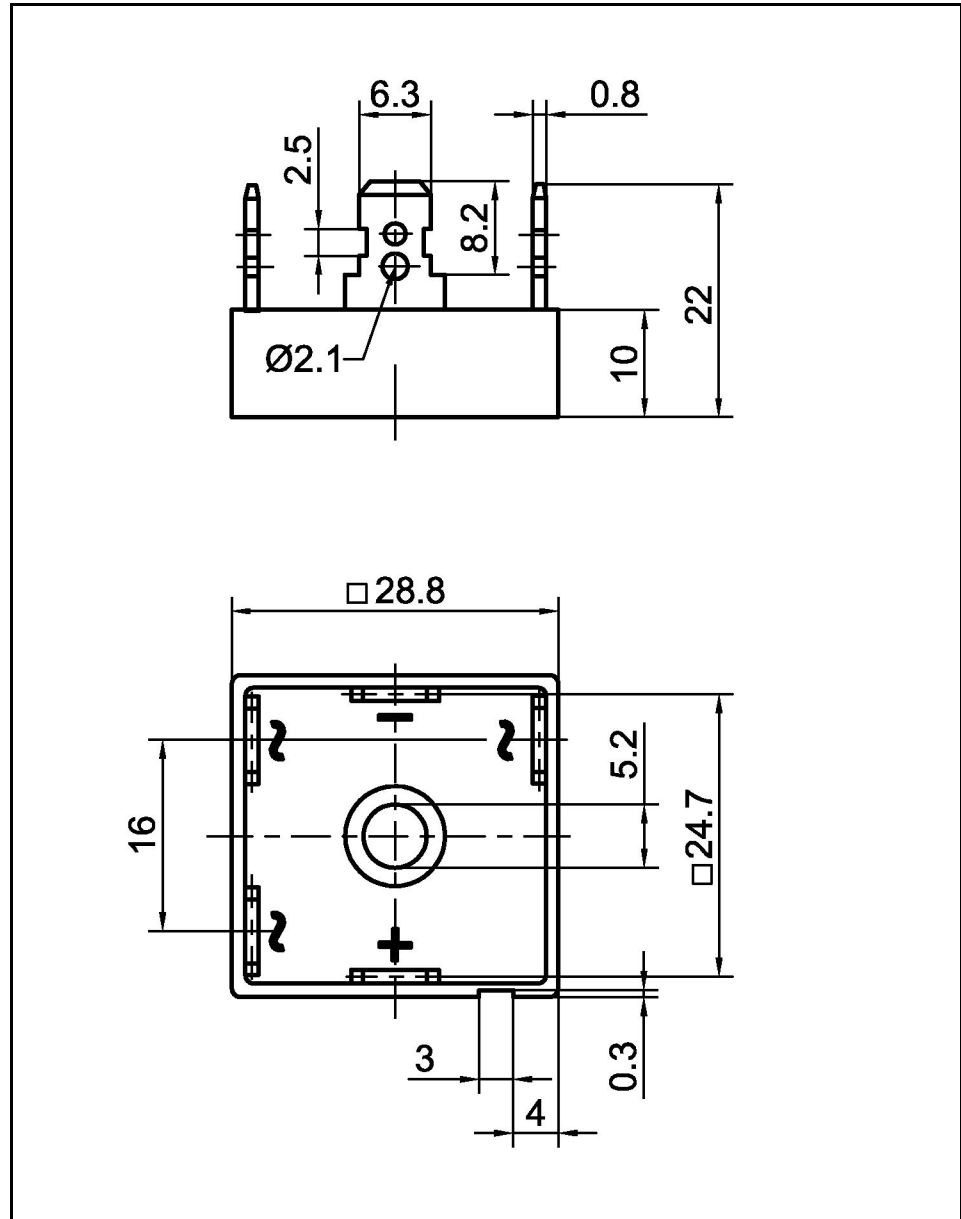
Case SKB 25 (G10a) old drawing



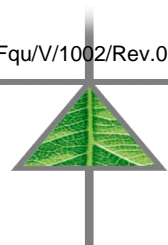


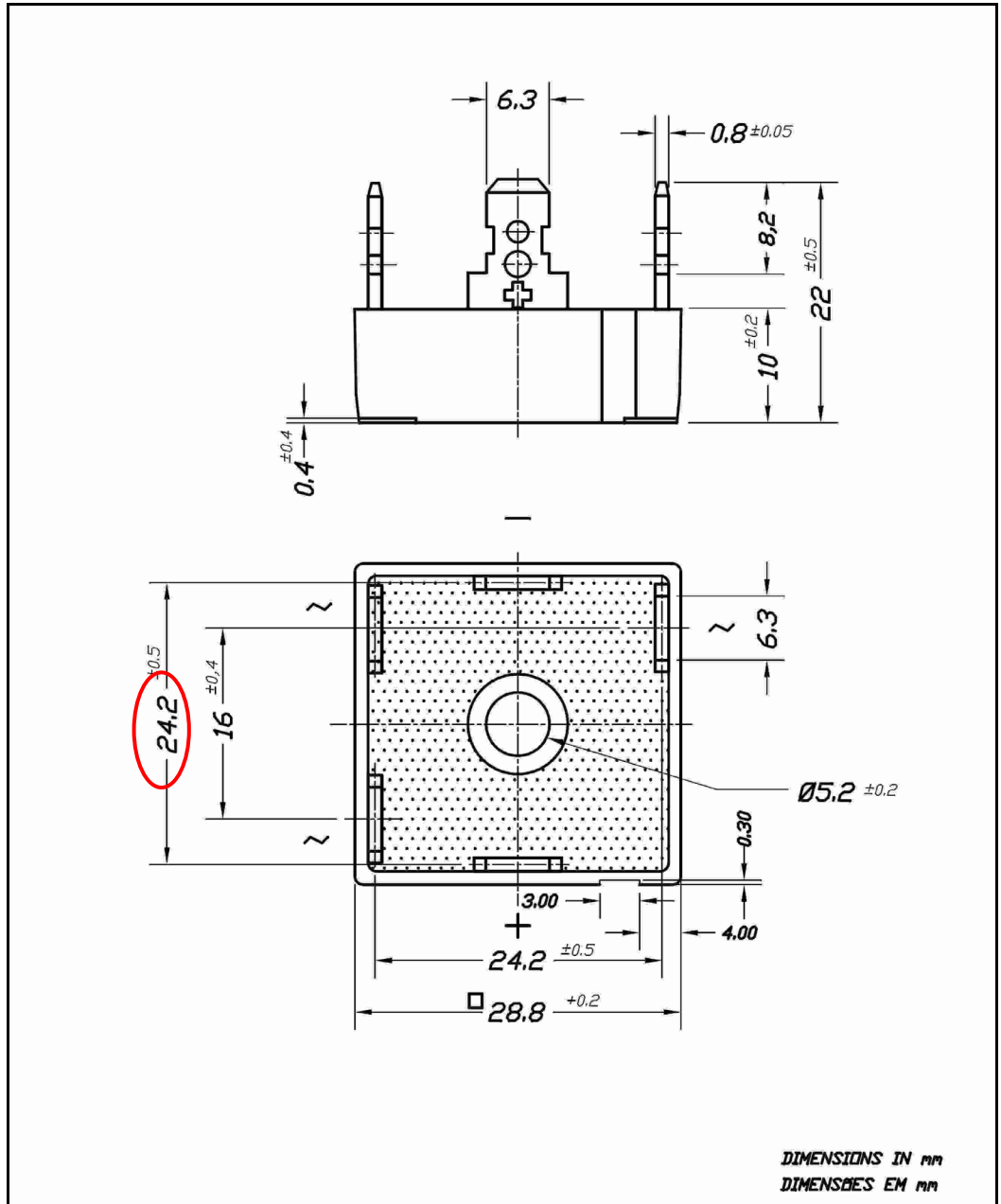
Case SKB 25 (G10b) new drawing



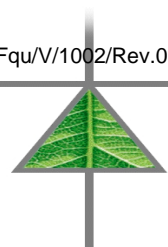


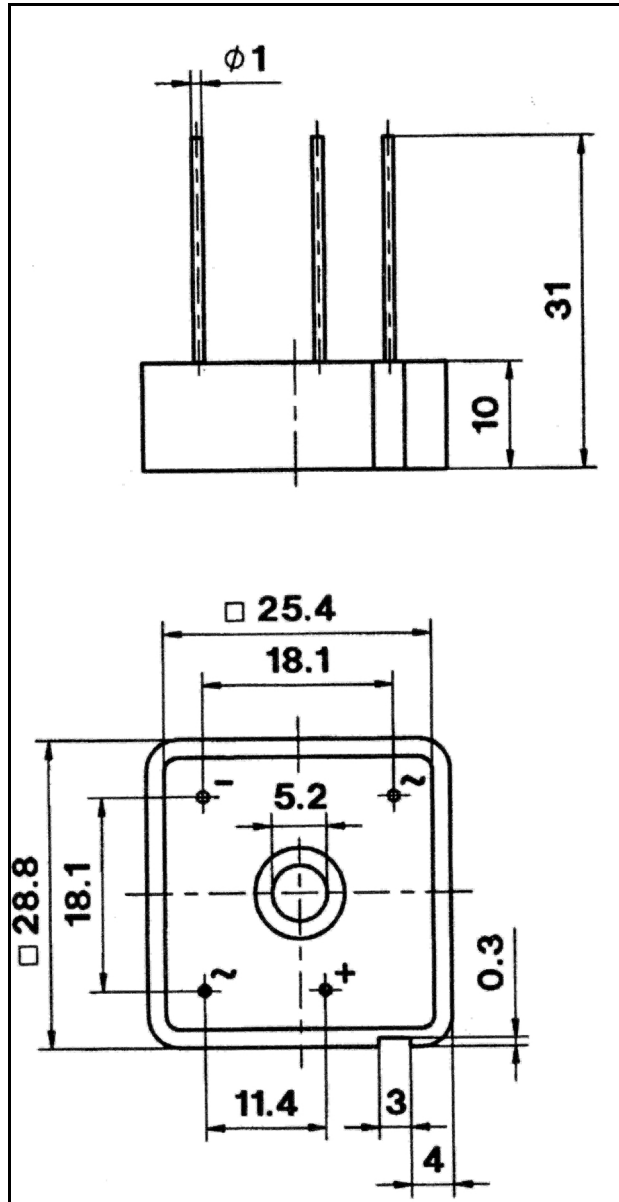
Case SKD 25 (G11a) old drawing



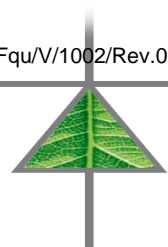


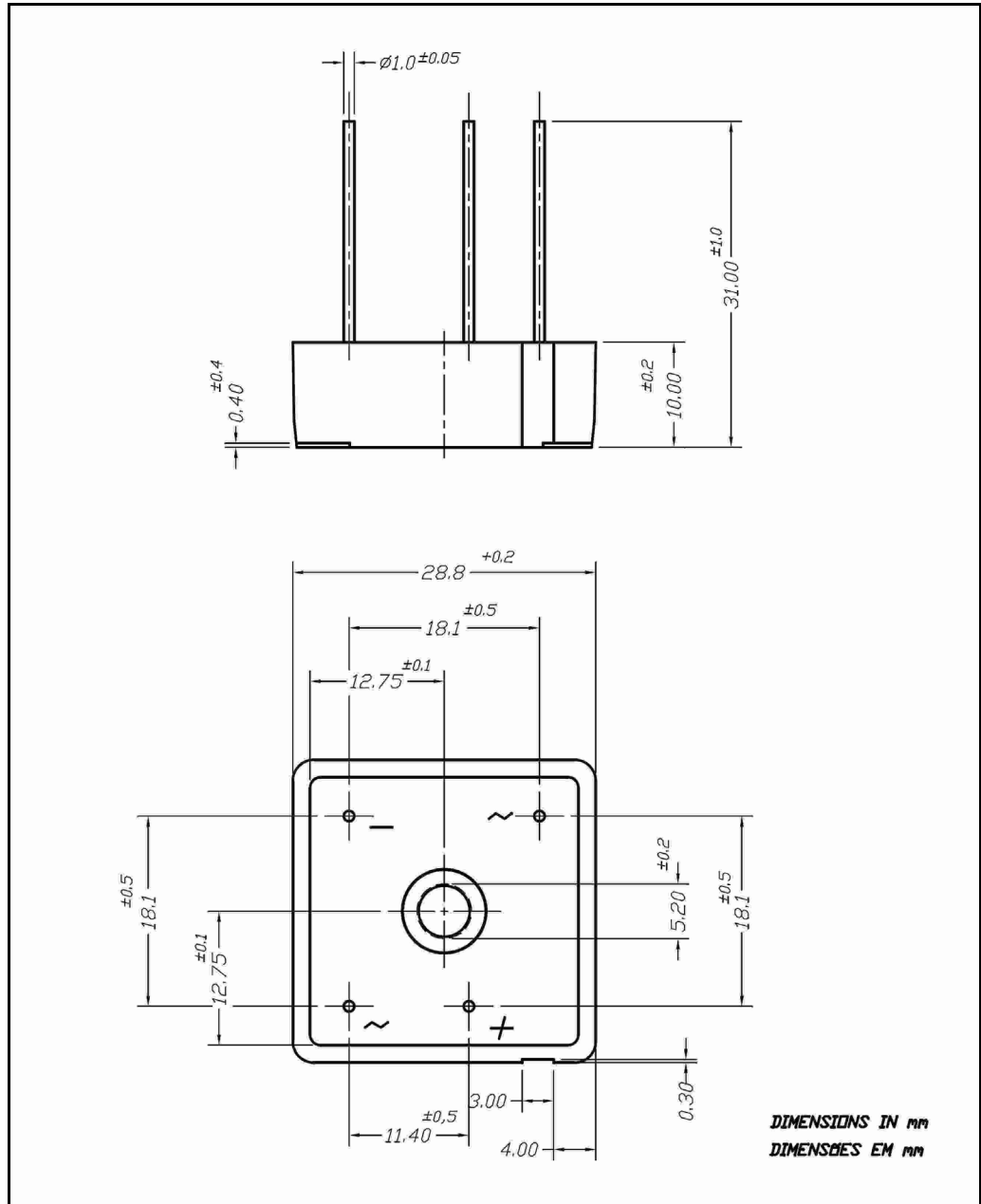
Case SKD 25 (G11b) new drawing





Case SKB 26 (G50) old drawing





### Case SKB 26 (G50b) new drawing

**time schedule for change:** Products are produced according to the specified tolerances.

**supporting documentation:** Data sheets are updated at the Internet in week 37.

**date:** 24/08/2004 **author:** Guilherme F. Rocha (SKBR)

- Please respond to this PCN by returning the attached customer approval form to your local sales partner.
- According to the IEC Standard JESD46 no response to this PCN within 30 days after receipt constitutes acceptance of the change.

