

4

3

2

1

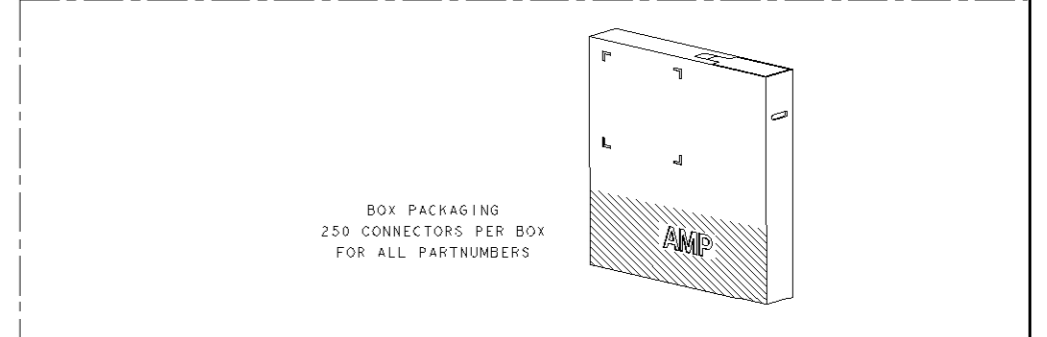
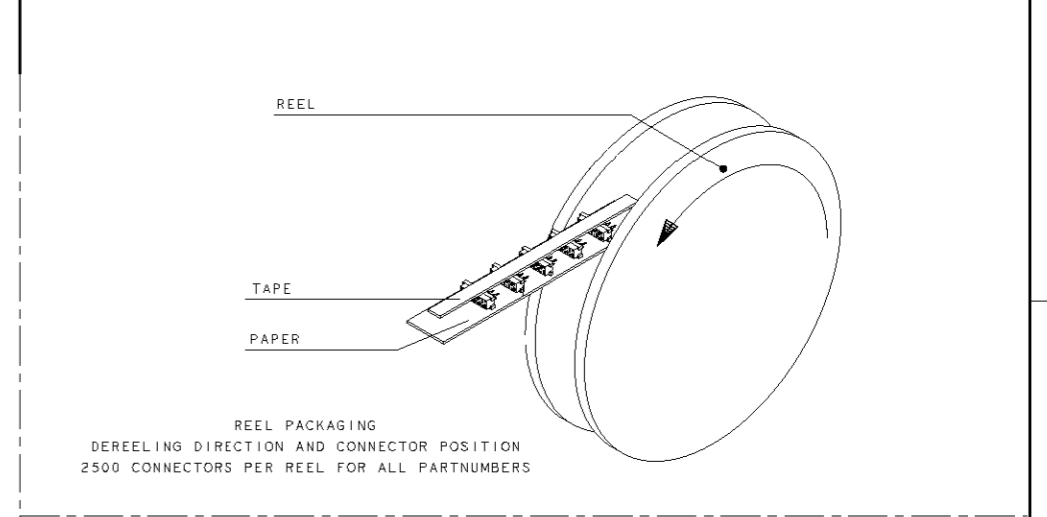
THIS DRAWING IS UNPUBLISHED. RELEASED FOR PUBLICATION
© COPYRIGHT - BY TYCO ELECTRONICS CORPORATION. ALL RIGHTS RESERVED.

LOC H DIST -

REVISIONS

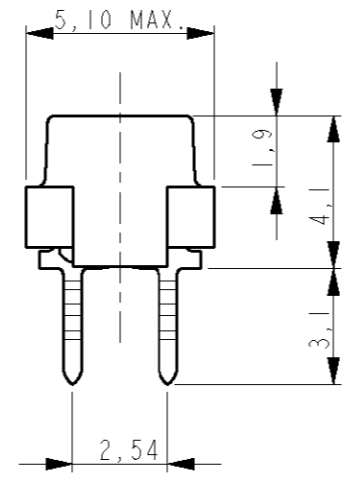
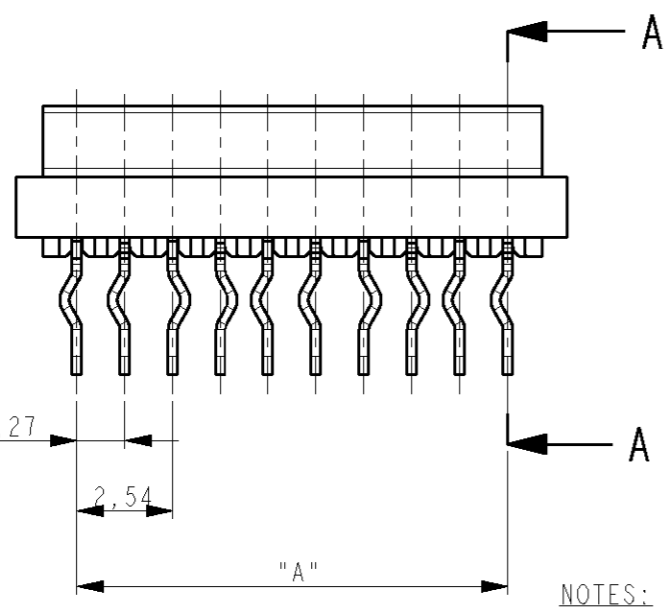
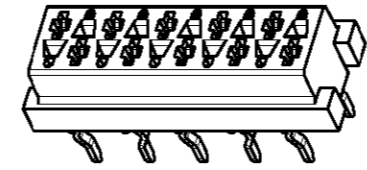
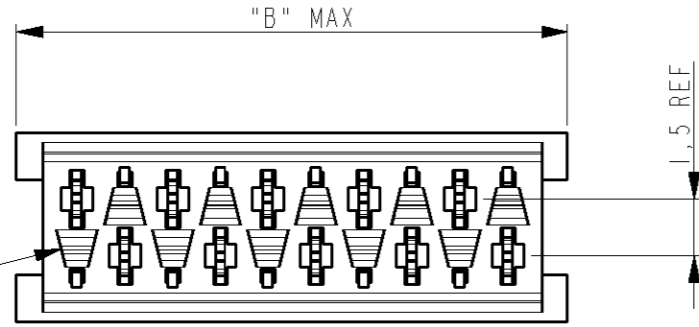
P	LTR	DESCRIPTION	DATE	DWN	APVD
T		EH00-0846-00	04 AUG 00	MG	MG
U		EH01-0893-03	29 JUL 03	PW	PJ
-	-	-	-	-	-

PARTNUMBER	PARTNUMBER	NUMBER OF POSITIONS	"A"	"B" MAX.
7-215079-4	0-215079-4	4	3,81	7,1
7-215079-6	0-215079-6	6	6,35	9,7
7-215079-8	0-215079-8	8	8,89	12,2
8-215079-0	1-215079-0	10	11,43	14,7
8-215079-2	1-215079-2	12	13,97	17,3
8-215079-4	1-215079-4	14	16,51	19,8
8-215079-6	1-215079-6	16	19,05	22,4
8-215079-8	1-215079-8	18	21,59	24,9
9-215079-0	2-215079-0	20	24,13	27,4

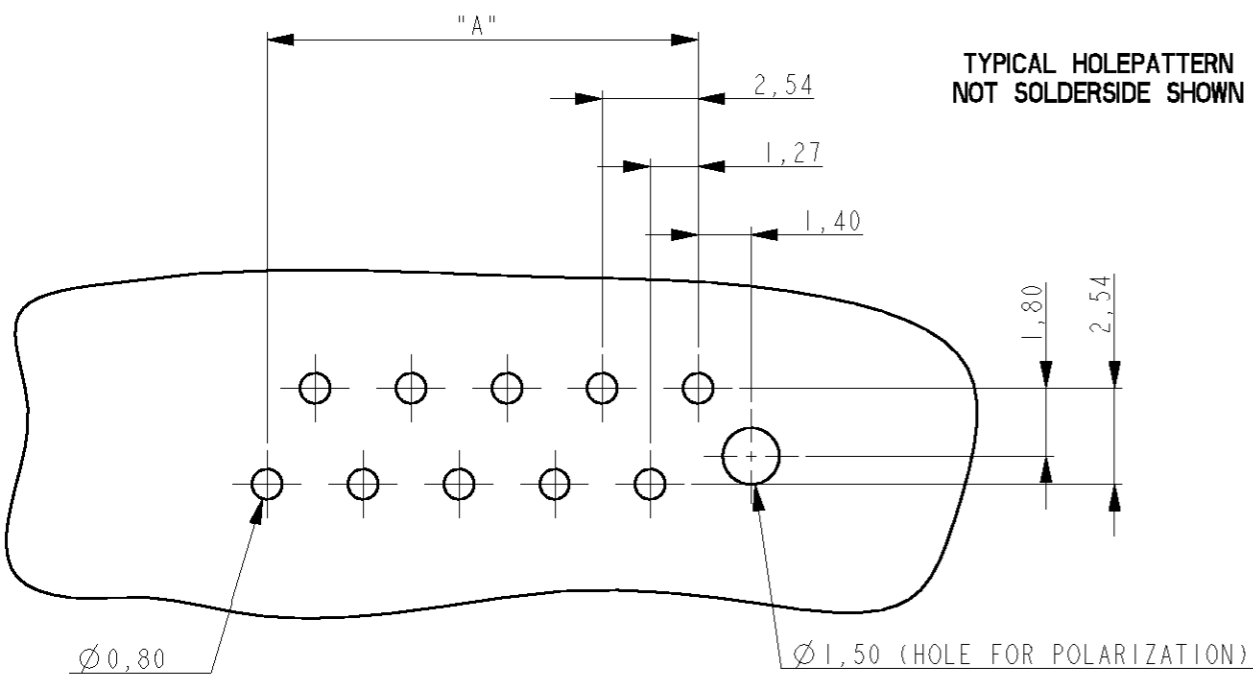
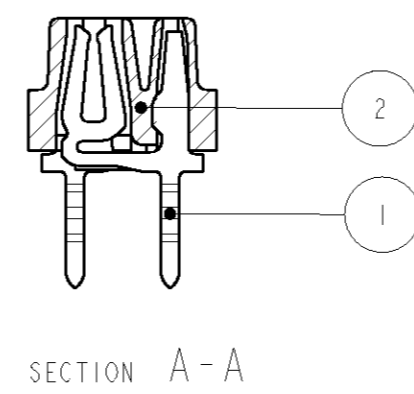


2	FEMALE HOUSING	PBT 20 % G.F.	
1	FEMALE CONTACT	PHOSFOR BRONZE	LEAD FREE TIN
ITEM NO.	DESCRIPTION	MATERIAL	FINISH

DWN M. GOSSELINK		TYCO ELECTRONICS NEDERLAND B.V.	
CHK -		's-HERTOGENBOSCH, THE NETHERLANDS	
APVD -		NAME	
PRODUCT SPEC -		Micro-MaTch	
APPLICATION SPEC -		FEMALE ON BOARD CONNECTOR	
SIZE A3	CAGE CODE 00779	DRAWING NO C-215079	RESTRICTED TO -
WEIGHT -		SCALE 5:1	SHEET 1 OF 1
CUSTOMER DRAWING		REV U	



- NOTES:
- 1 DIRECTION OF KINK IS OPTIONAL
 - 2 CORING OUTS ARE OPTIONAL
 - 3 1-215079-0 AS DRAWN



THIS DRAWING IS A CONTROLLED DOCUMENT FOR TYCO ELECTRONICS CORPORATION. IT IS SUBJECT TO CHANGE AND THE CONTROLLING ENGINEERING ORGANIZATION SHOULD BE CONTACTED FOR THE LATEST REVISION.

DIMENSIONS:	TOLERANCES UNLESS OTHERWISE SPECIFIED:
mm	
0 PLC	±
1 PLC	±
2 PLC	±
3 PLC	±
4 PLC	±
ANGLES	±
MATERIAL -	FINISH -