



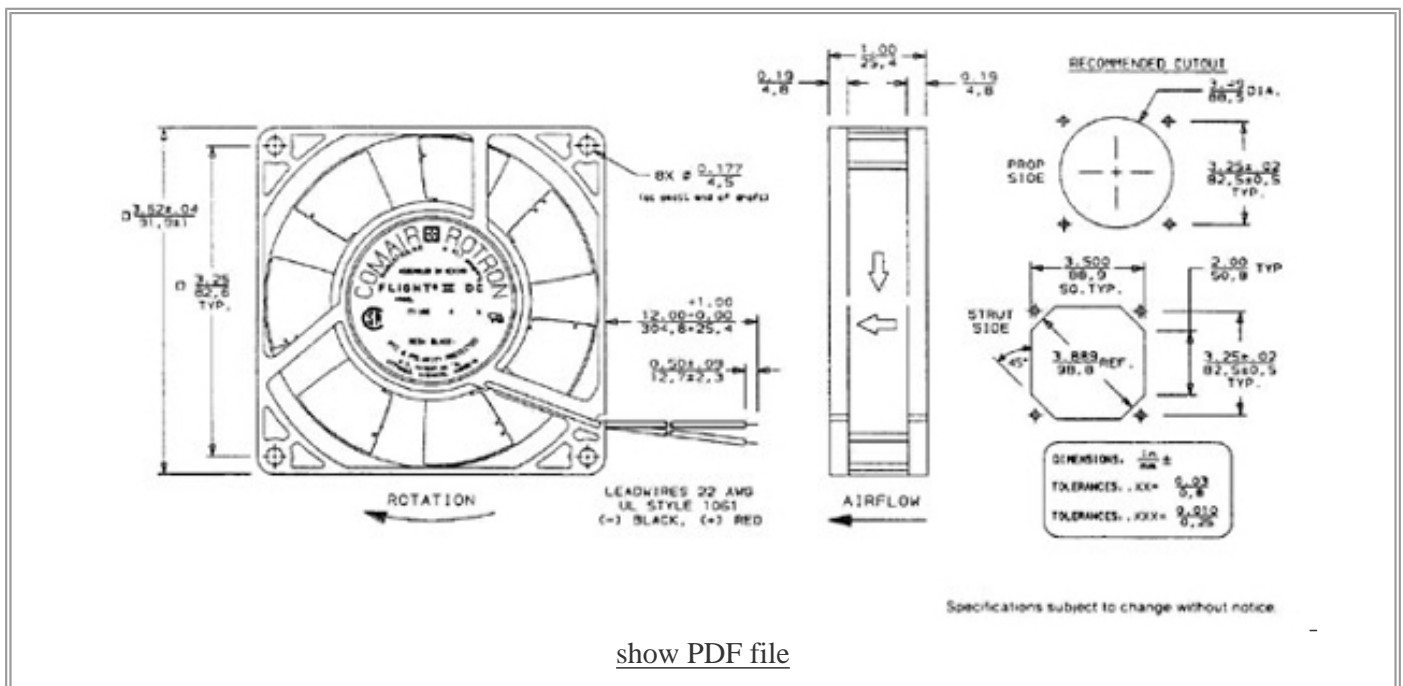
## Flight II 90 (DC Fan)

COMAIR ROTRON PART NUMBER: **039260**  
 COMAIR ROTRON MODEL NUMBER: **FN24B3-E2**



MOTOR	
Rated Voltage:	24
Operating Voltage Range:	12 - 28
Running Current: 50Hz   60Hz (amps)	
Locked Rotor Current: (amps)	0.275
Rated Power: 50Hz   60Hz (watts)	
Nominal Speed: 50Hz   60Hz (rpm)	

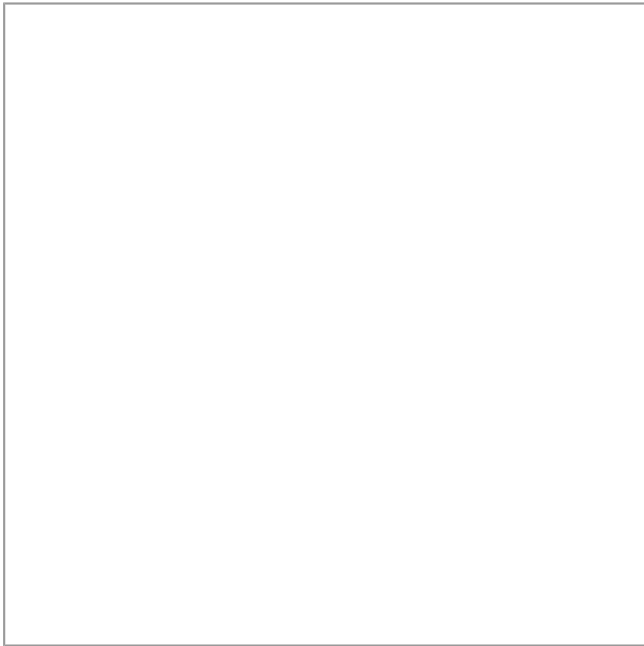
MECHANICAL	
Dimensions:	92mm x 25mm (3.62in x 1.00in)
Bearing Type:	Ball
Motor Base:	Polyphenylene Oxide (PPO), UL94V-0, Black
Propeller:	Polybutylene Terephthalate (PBT), UL94V-0, Black



[show PDF file](#)

### NOTES

Environmentally Protected - Type 2



PERFORMANCE CHARACTERISTICS

Air Flow: (CFM) 45

Static Pressure: .182

TERMINATION

Leadwires: 12" Leadwires

SAFETY



All product names are used under license and are trademarks or registered trademarks of Comair Rotron, Inc.

[New Search](#)