

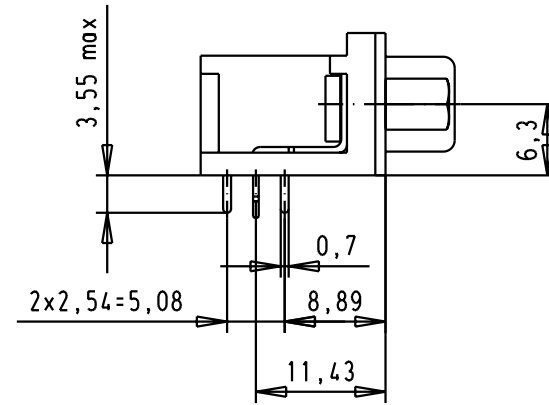
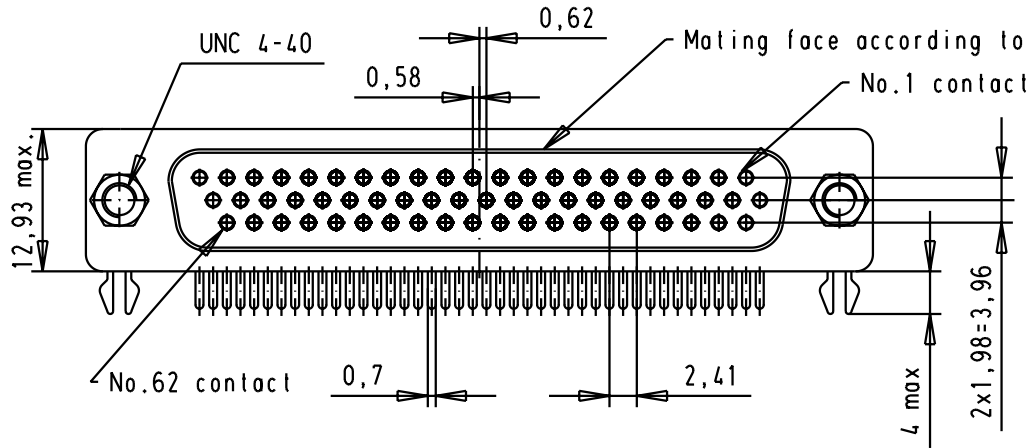
5

4

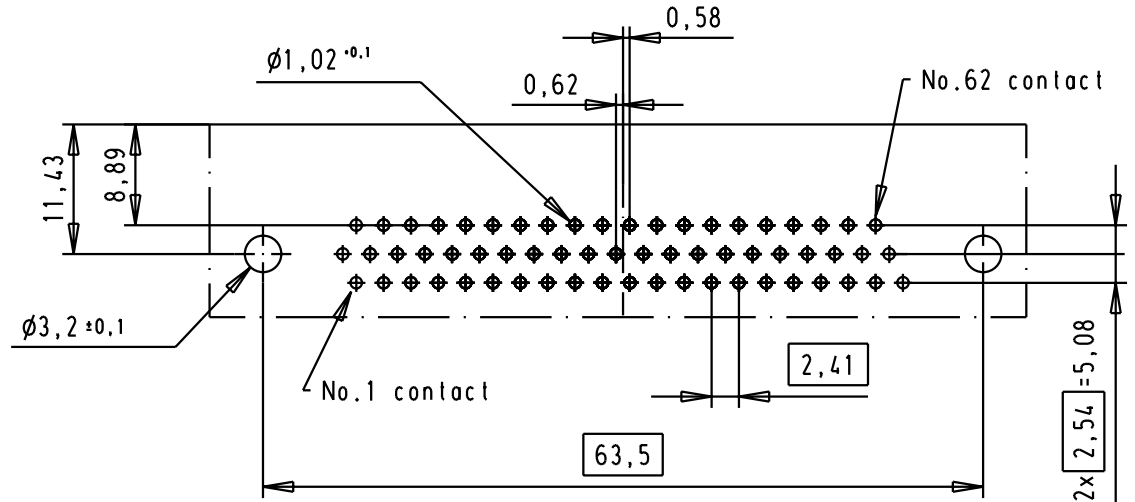
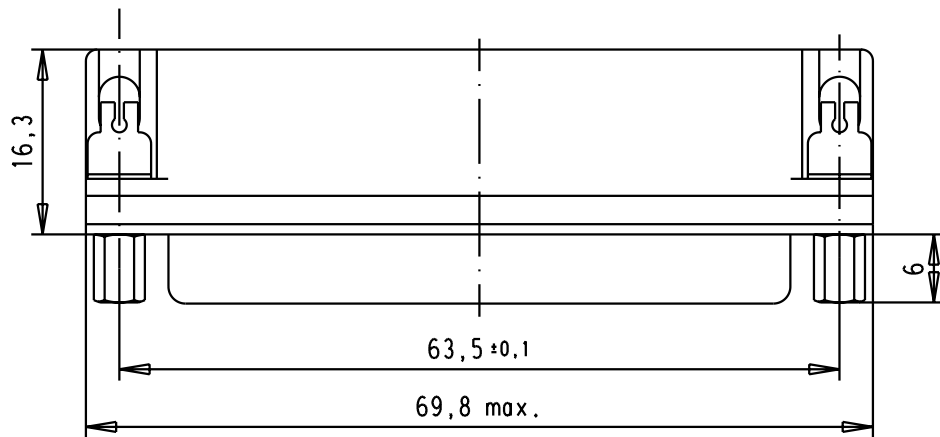
3

2

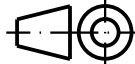
1



Printed board layout, component side



A

					Detail.	Date	Name	 All Dim. in mm Orig. Size DIN A 4	D-Sub, Female, High density 62 poles, angled, with screw lock and board lock	Maßstab/ Scale
					Insp.	16-SEP-02	CV			1.5:1
					Stand.					
		31485	16-04-03	S.H.	HARTING EUROL F-95972 Paris					TB 0956452x613 Sub.
		31479	31-MAR-03	S.H.						
		31352	16-OCT-02	S.H.						
09564525613	0.76 μm Au									Blatt/ Page 1 /
09564527613	3									
Part number	Performance level	Mod.	Date	Name						

