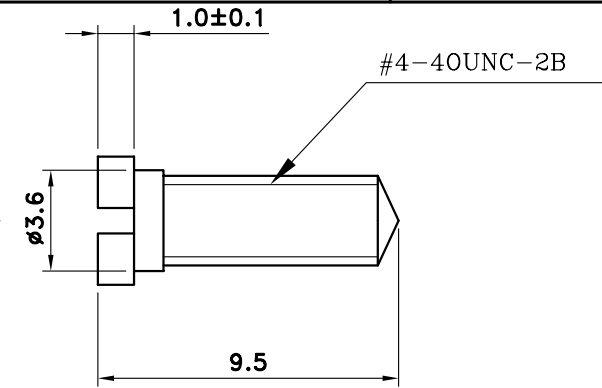


FLAT WASHER



SLIDE LATCH & LOCKING POST KITS  
 013-09: 9 WAY  
 013-15: 15 WAY  
 013-25: 25 WAY

ITEM	A	B	C	D
013-09	35.1	27.1	22.9	28.0
013-15	43.9	35.9	33.0	36.0
013-25	57.5	44.6	42.3	49.0

E			
D			
C			
B			
A	07-08-1998	013	Jerry Chen
REV	DATE	FILE	BY

**DRAWN:**  
Jerry Chen

**CHECKED:**  
Jeremy

**APPROVAL:**  
Mike

**GENERAL TOLERANCE:**  
 .X = ±0.2  
 .XX = ±0.15

**UNIT:** mm

**SCALE:**

**SHEET:** 1 / 1

**PROJECTION:**



**DESCRIPTION:** HARD WARE SLIDE

**PART NO:** 013

**SIZE**  
**A4**