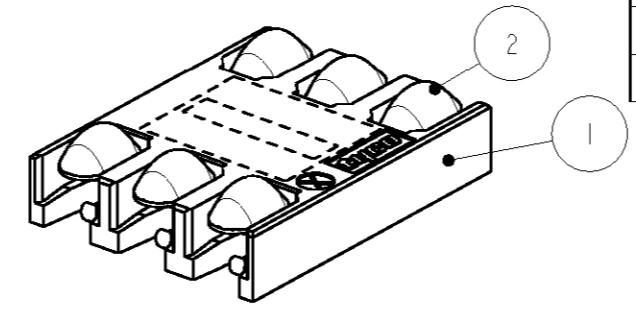
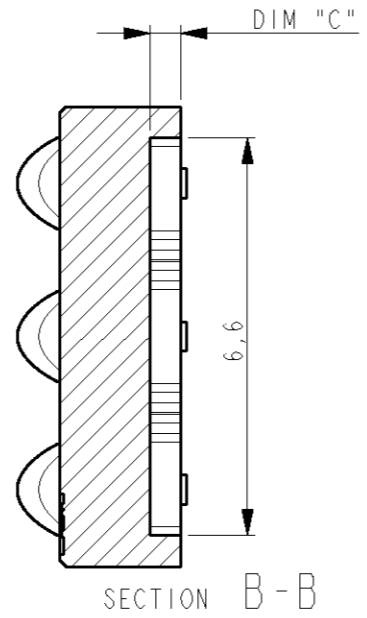
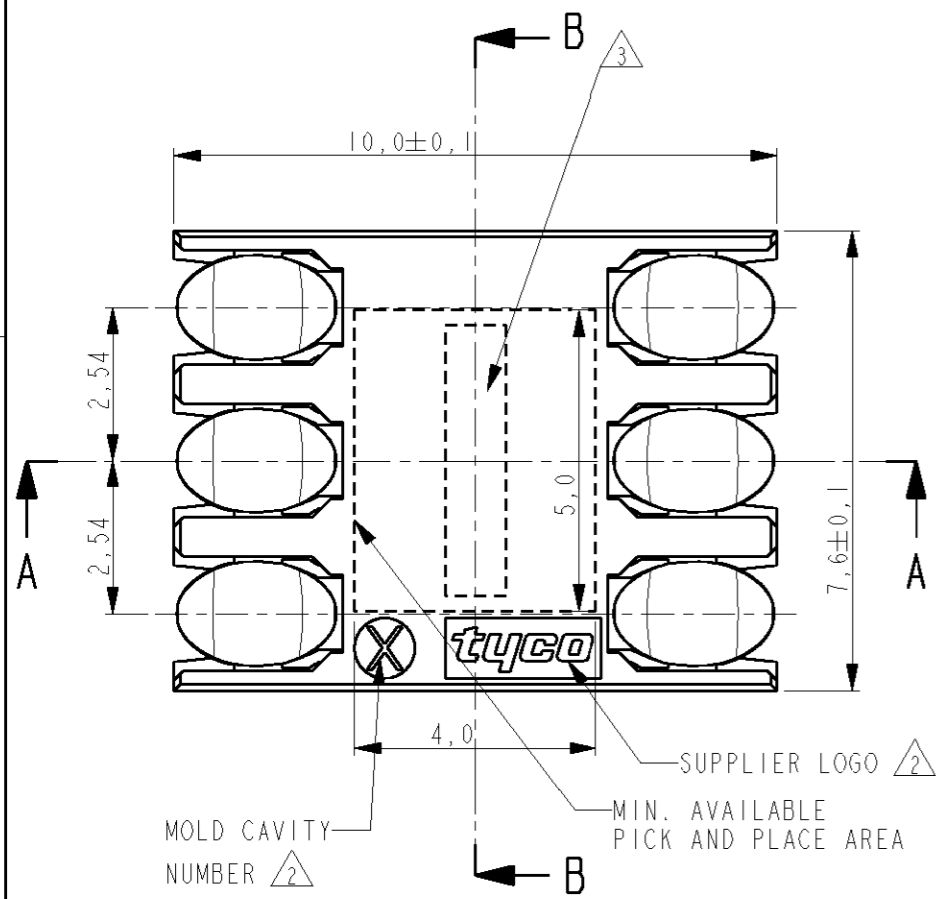
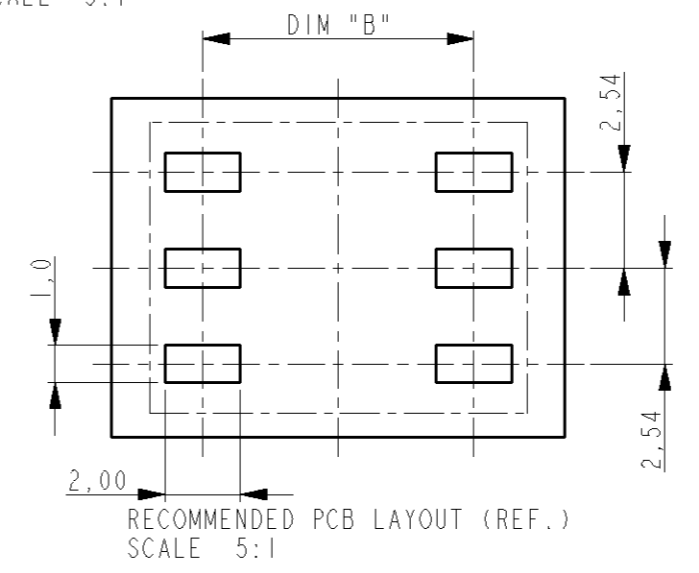


THIS DRAWING IS UNPUBLISHED. RELEASED FOR PUBLICATION  
 © COPYRIGHT - BY TYCO ELECTRONICS CORPORATION. ALL RIGHTS RESERVED.

LOC	DIST	REVISIONS					
H	-	P	LTR	DESCRIPTION	DATE	DWN	APVD
			EI	EH10-0147-05	01FEB2005	WJ	PJ
			F	EH10-0246-05	22FEB2005	WJ	PJ
			FI	ECR-05-015226	16NOV2005	WJ	PJ



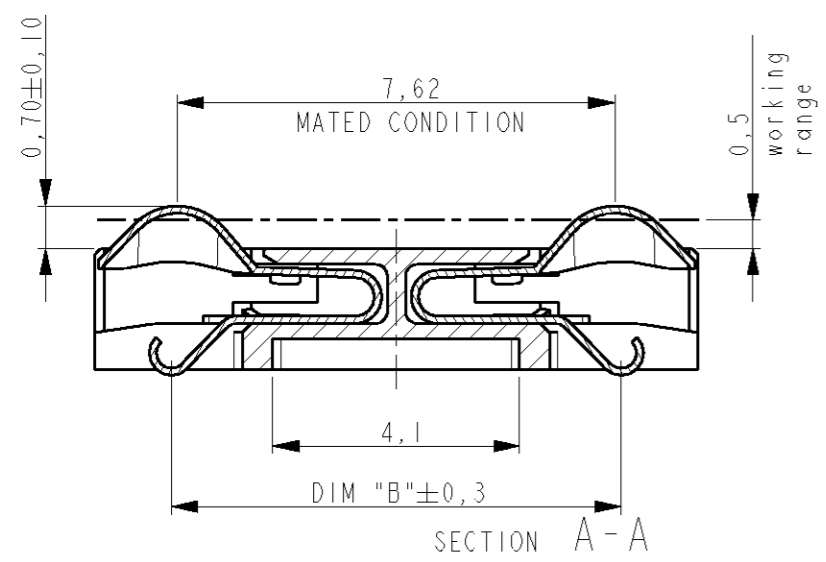
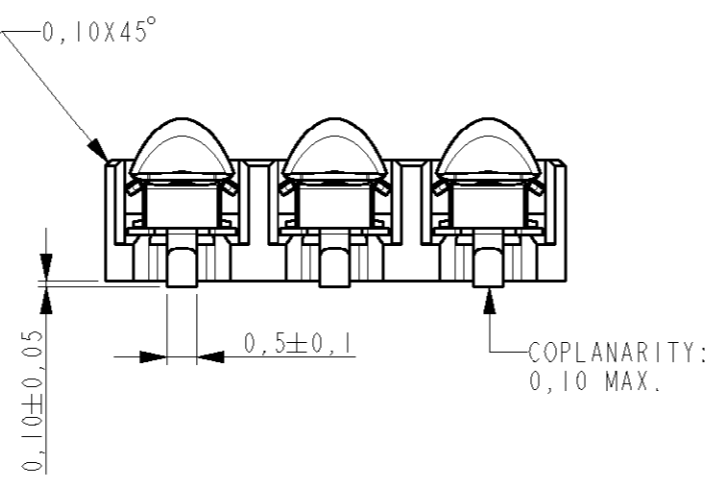
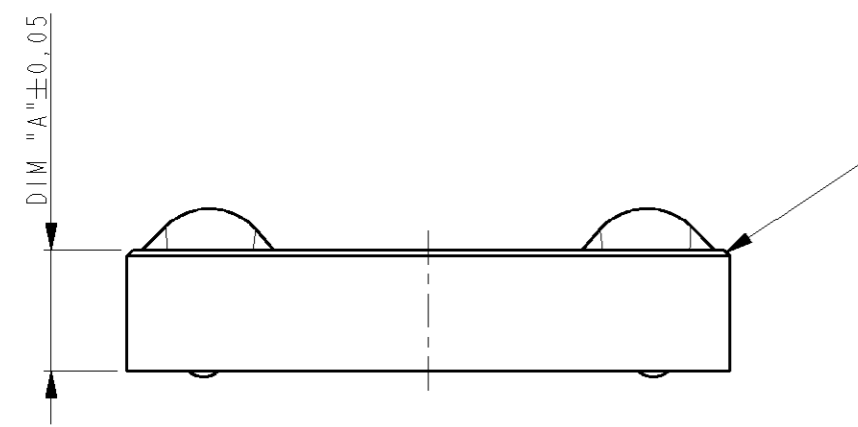
SCALE 5:1



PARTNUMBER	WEIGHT	DIM A	DIM B	DIM C
5-1705300-0	0,34	5,00	6,6	3,5
4-1705300-9	0,33	4,90	7,6	3,4
4-1705300-8	0,33	4,80	6,6	3,3
4-1705300-7	0,32	4,70	7,6	3,2
4-1705300-6	0,32	4,60	6,9	3,1
4-1705300-5	0,32	4,50	7,7	3,0
4-1705300-4	0,31	4,40	6,8	2,9
4-1705300-3	0,31	4,30	7,6	2,8
4-1705300-2	0,30	4,20	6,8	2,7
4-1705300-1	0,30	4,10	7,5	2,6
4-1705300-0	0,29	4,00	6,8	2,5
3-1705300-9	0,29	3,90	7,5	2,4
3-1705300-8	0,28	3,80	7,1	2,3
3-1705300-7	0,28	3,70	7,6	2,2
3-1705300-6	0,27	3,60	7,1	2,1
3-1705300-5	0,27	3,50	7,6	2,0
3-1705300-4	0,26	3,40	6,7	1,9
3-1705300-3	0,26	3,30	7,3	1,8
3-1705300-2	0,25	3,20	7,7	1,7
3-1705300-1	0,25	3,10	7,0	1,6
3-1705300-0	0,24	3,00	7,4	1,5
2-1705300-9	0,24	2,90	7,7	1,4
2-1705300-8	0,23	2,80	6,9	1,3
2-1705300-7	0,23	2,70	7,2	1,2
2-1705300-6	0,23	2,60	7,5	1,1
2-1705300-5	0,22	2,50	7,7	1,0
2-1705300-4	0,22	2,40	6,7	0,9
2-1705300-3	0,21	2,30	7,0	0,8
2-1705300-2	0,20	2,20	7,2	0,7
2-1705300-1	0,20	2,10	7,3	0,6
2-1705300-0	0,20	2,00	7,5	0,5
1-1705300-9	0,19	1,90	7,6	0,4
1-1705300-8	0,19	1,80	7,6	0,3
1-1705300-7	0,18	1,70	7,7	0,2
1-1705300-6	0,18	1,60	7,7	0,1
1-1705300-5	0,18	1,50	7,7	0,0

NOTES:

- 1 CONTACT PLATING:  
 1,2µm NICKEL UNDERLAYER  
 1,25µm MIN. GOLD AT CARD SIDE  
 0,1-0,2µm GOLD AT SOLDER SIDE
- 2 MARKINGS ON RECESSED AREA
- 3 LASER PRINTED: EXAMPLE: 3104 AA:  
 DAY 3, WEEK 10, YEAR 2004,  
 PRODUCTIONLINE A, CUSTOMER DRAWING REVISION A
- 4 PACKAGING INFO SEE SHEET 2.



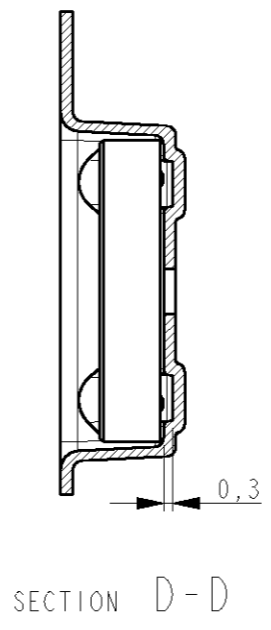
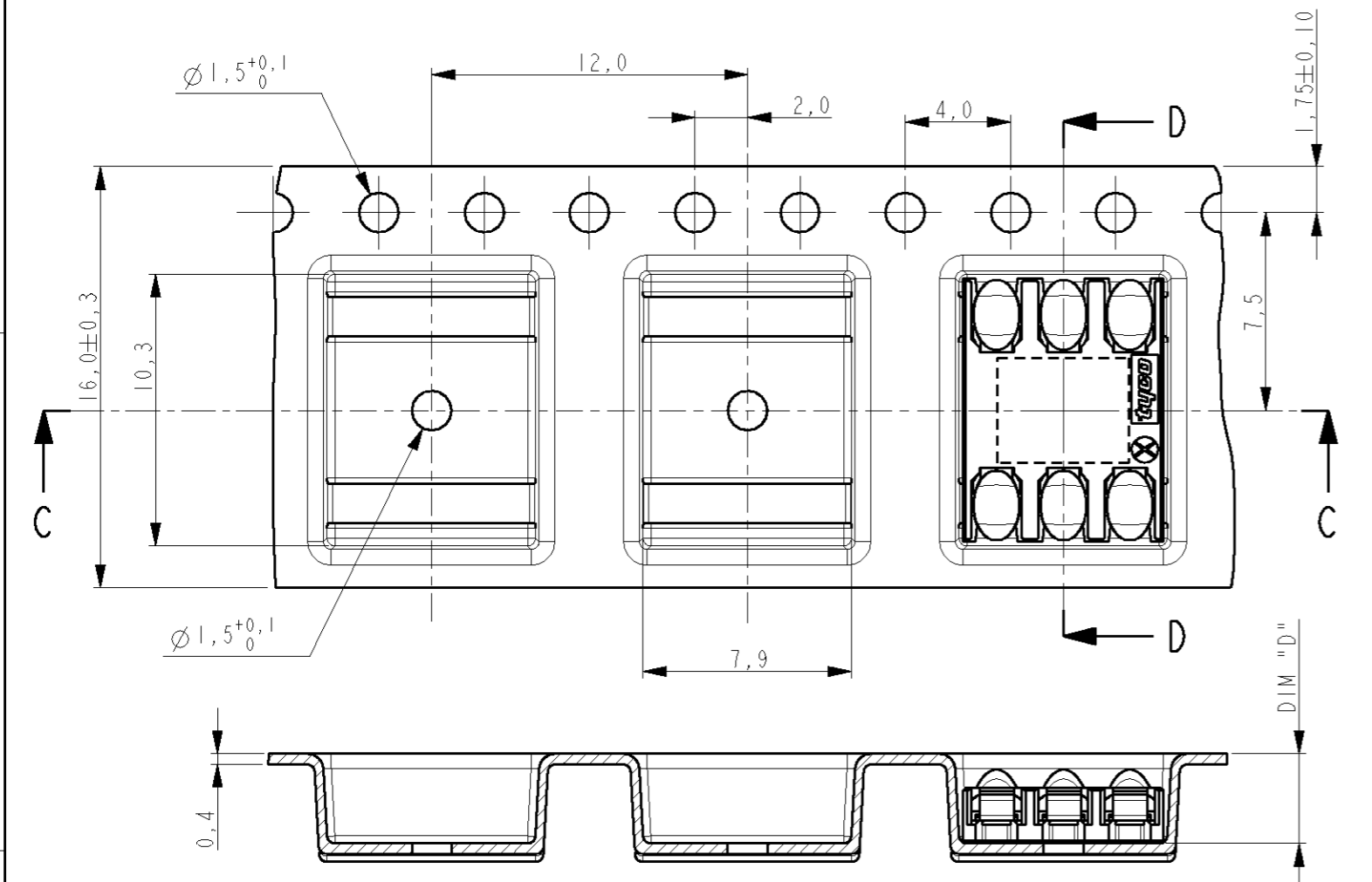
2-1705300-0 AS SHOWN

DIMENSIONS: mm		TOLERANCES UNLESS OTHERWISE SPECIFIED:	
0 PLC	±	0 PLC	±
1 PLC	±0,1	1 PLC	±0,1
2 PLC	±0,05	2 PLC	±0,05
3 PLC	±	3 PLC	±
4 PLC	±	4 PLC	±
ANGLES	±	ANGLES	±
MATERIAL	see notes	FINISH	see notes

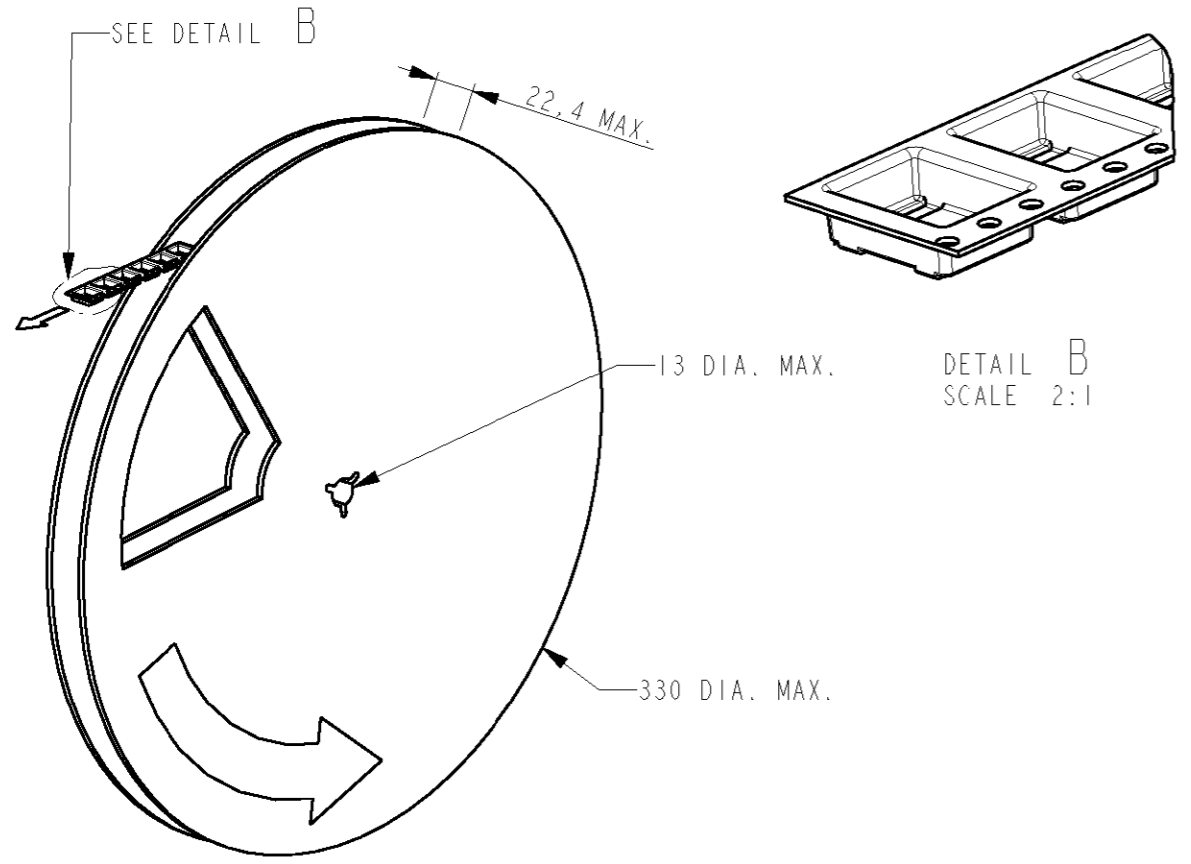
2	CONTACT	COPPER ALLOY	SEE NOTES
1	HOUSING	GF LIQUID CRISTAL POLYMER	BLACK
ITEM NO.	DESCRIPTION	MATERIAL	FINISH
DWN W. Jansen 17-Sep-03		TYCO ELECTRONICS NEDERLAND B.V.	
CHK W. Jansen 17-Sep-03		's-HERTOGENBOSCH, THE NETHERLANDS	
APVD P. Jaeger 17-Sep-03		NAME	
PRODUCT SPEC 108-19280		SIM CONNECTOR	
APPLICATION SPEC 114-19092		5 DIRECTIONAL	
WEIGHT gram		6 positions	
SIZE A3	CAGE CODE 00779	DRAWING NO C-1705300	RESTRICTED TO
CUSTOMER DRAWING		SCALE 8:1	SHEET 1 OF 2 REV FI

THIS DRAWING IS UNPUBLISHED. RELEASED FOR PUBLICATION  
 © COPYRIGHT - BY TYCO ELECTRONICS CORPORATION. ALL RIGHTS RESERVED.

LOC	DIST	REVISIONS				
P	LTR	DESCRIPTION	DATE	DWN	APVD	
H	-	SEE SHEET 1	-	-	-	



SECTION C-C



DETAIL B  
SCALE 2:1

2-1705300-0 AS SHOWN

NOTES:

- △ THE FIRST 33 POCKETS ARE EMPTY AND THE LAST 13 POCKETS ARE EMPTY.
- ONE REEL CONTAINS X PRODUCTS (SEE TABLE).

PARTNUMBER	DIM "D"	PRODUCTS/REEL
5-1705300-0	6,4	800
4-1705300-9	6,4	800
4-1705300-8	6,4	800
4-1705300-7	6,4	800
4-1705300-6	6,4	800
4-1705300-5	6,4	800
4-1705300-4	5,4	950
4-1705300-3	5,4	950
4-1705300-2	5,4	950
4-1705300-1	5,4	950
4-1705300-0	5,4	950
3-1705300-9	5,4	950
3-1705300-8	5,4	950
3-1705300-7	5,4	950
3-1705300-6	5,4	950
3-1705300-5	5,4	950
3-1705300-4	4,4	1150
3-1705300-3	4,4	1150
3-1705300-2	4,4	1150
3-1705300-1	4,4	1150
3-1705300-0	4,4	1150
2-1705300-9	4,4	1150
2-1705300-8	4,4	1150
2-1705300-7	4,4	1150
2-1705300-6	4,4	1150
2-1705300-5	4,4	1150
2-1705300-4	3,4	1450
2-1705300-3	3,4	1450
2-1705300-2	3,4	1450
2-1705300-1	3,4	1450
2-1705300-0	3,4	1450
1-1705300-9	3,4	1450
1-1705300-8	3,4	1450
1-1705300-7	3,4	1450
1-1705300-6	3,4	1450
1-1705300-5	3,4	1450

SEALED COVER TAPE	PET/PE	TRANSPARENT
EMBOSSED CARRIER TAPE	PS	GREY
REEL	PS	GREY
DESCRIPTION	MATERIAL	COLOUR

THIS DRAWING IS A CONTROLLED DOCUMENT FOR TYCO ELECTRONICS CORPORATION  
 IT IS SUBJECT TO CHANGE AND THE CONTROLLING ENGINEERING ORGANIZATION  
 SHOULD BE CONTACTED FOR THE LATEST REVISION.

DIMENSIONS:	TOLERANCES UNLESS OTHERWISE SPECIFIED:
mm	
0 PLC	±
1 PLC	±0,1
2 PLC	±0,05
3 PLC	±
4 PLC	±
ANGLES	±
MATERIAL	FINISH
-	-

DWN	W. Jansen	17-Sep-03
CHK	W. Jansen	17-Sep-03
APVD	P. Jaeger	17-Sep-03
PRODUCT SPEC	-	-
APPLICATION SPEC	-	-
WEIGHT	-	-
CUSTOMER DRAWING		

**tyco** TYCO ELECTRONICS NEDERLAND B.V.  
**Electronics** 's-HERTOGENBOSCH, THE NETHERLANDS

NAME: SIM CONNECTOR  
 5 DIRECTIONAL  
 6 positions

SIZE	CAGE CODE	DRAWING NO	RESTRICTED TO
A3	00779	C-1705300	-

SCALE 4:1 SHEET 2 OF 2 REV F1