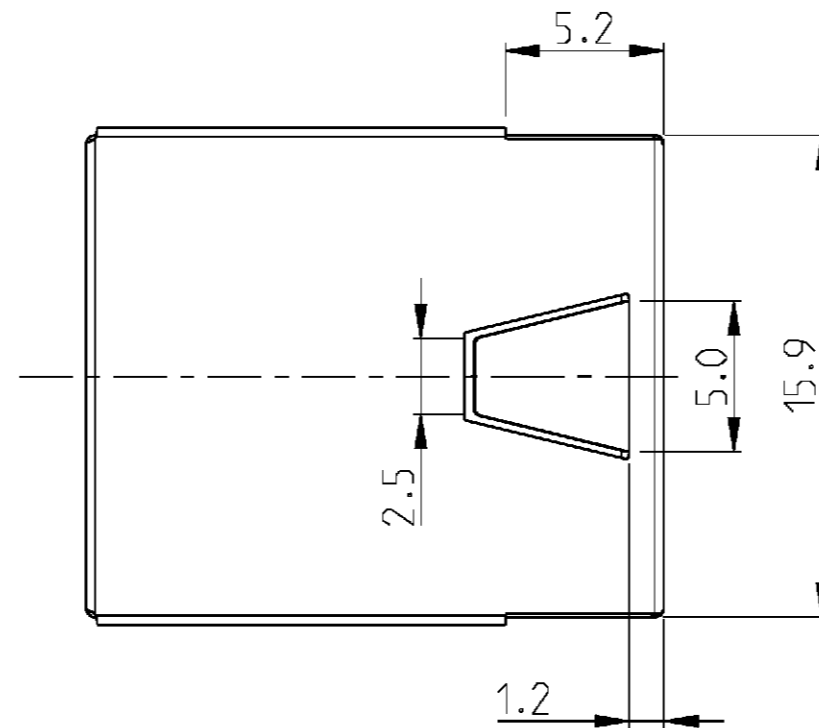
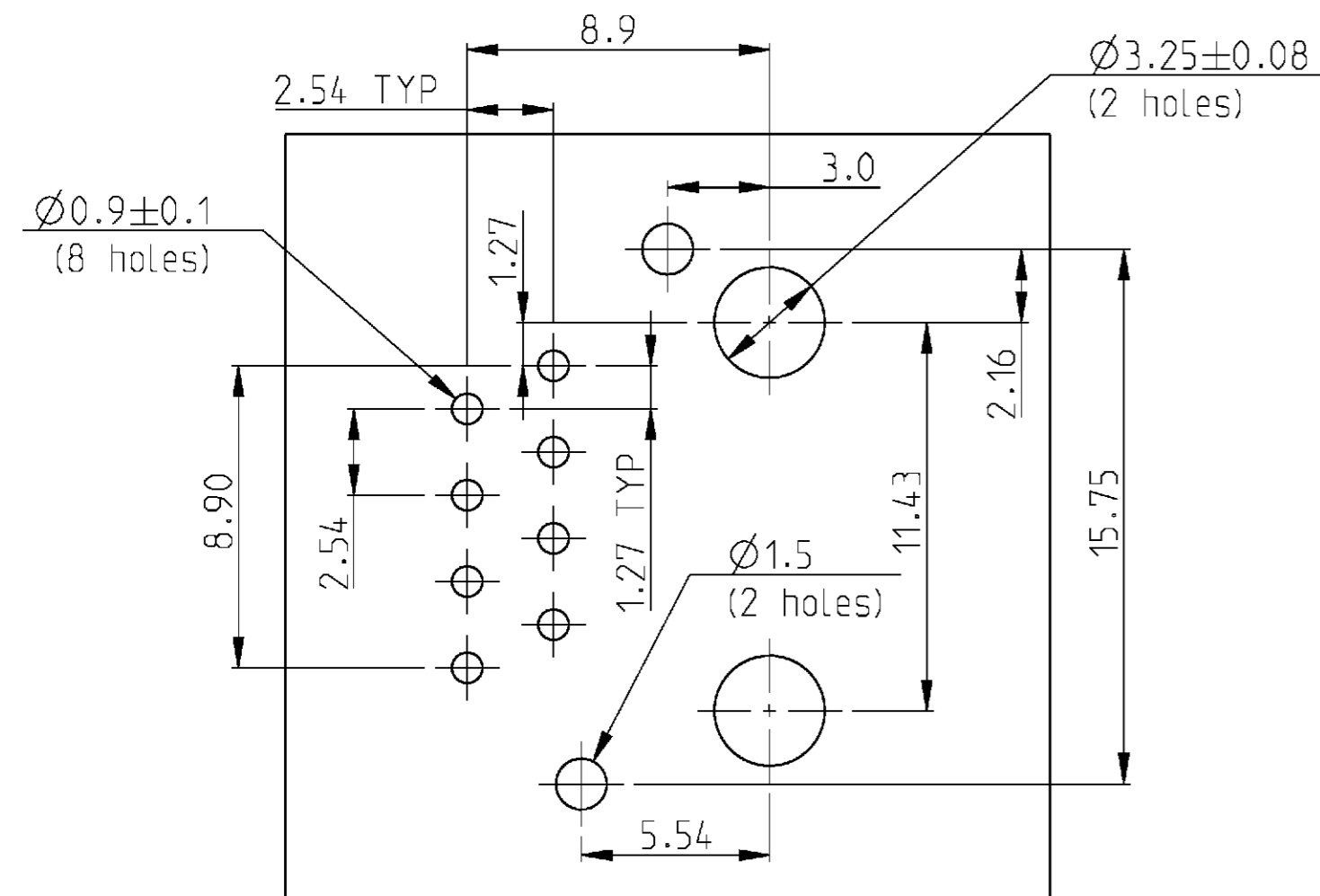
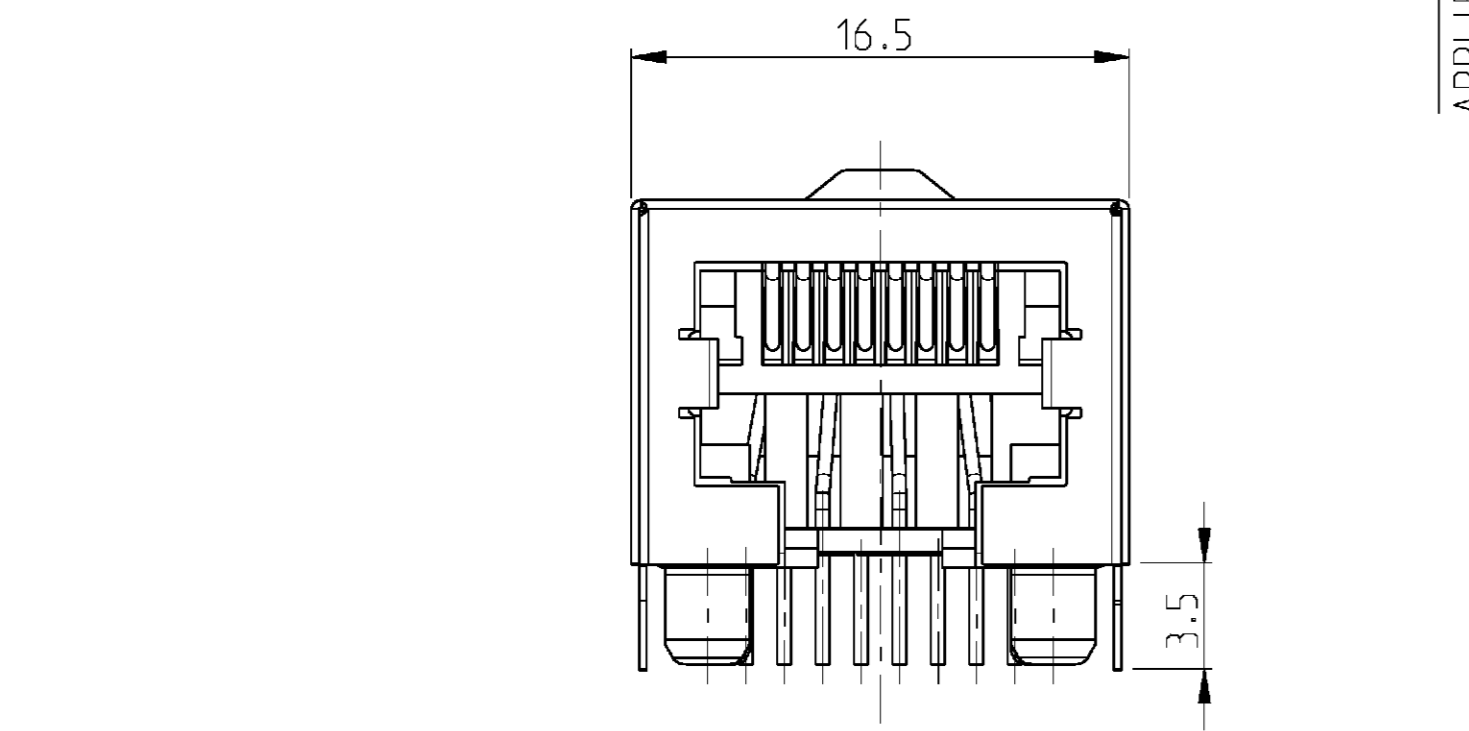
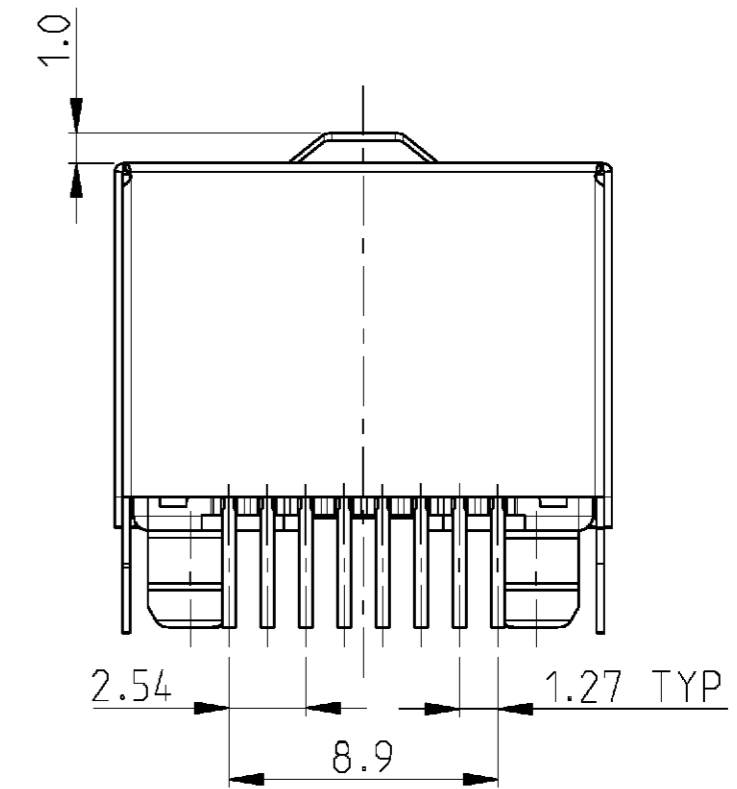
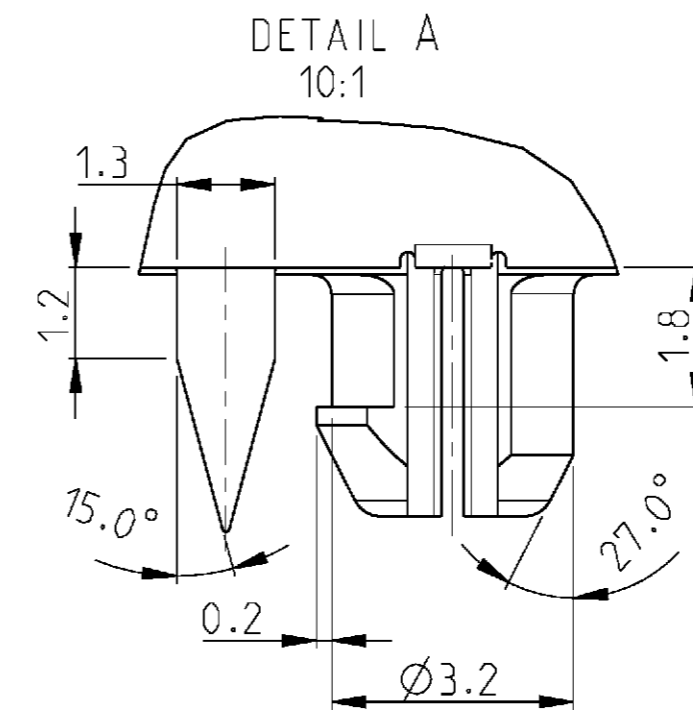
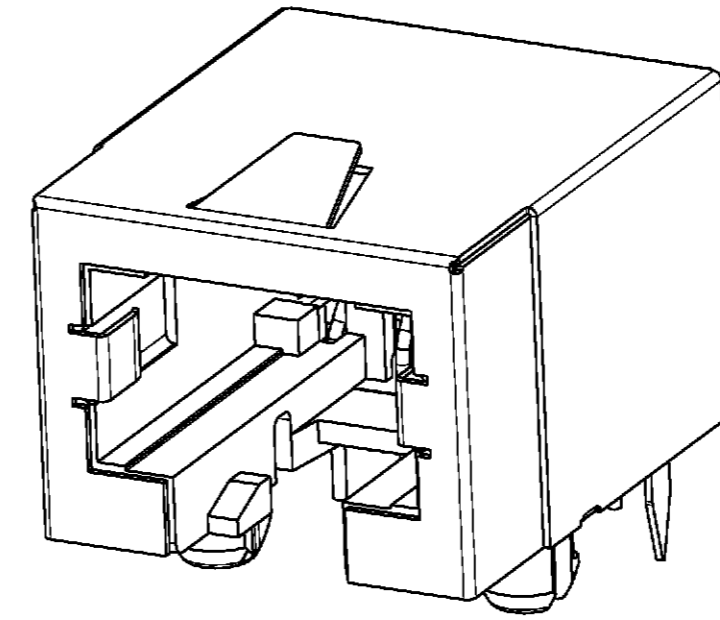
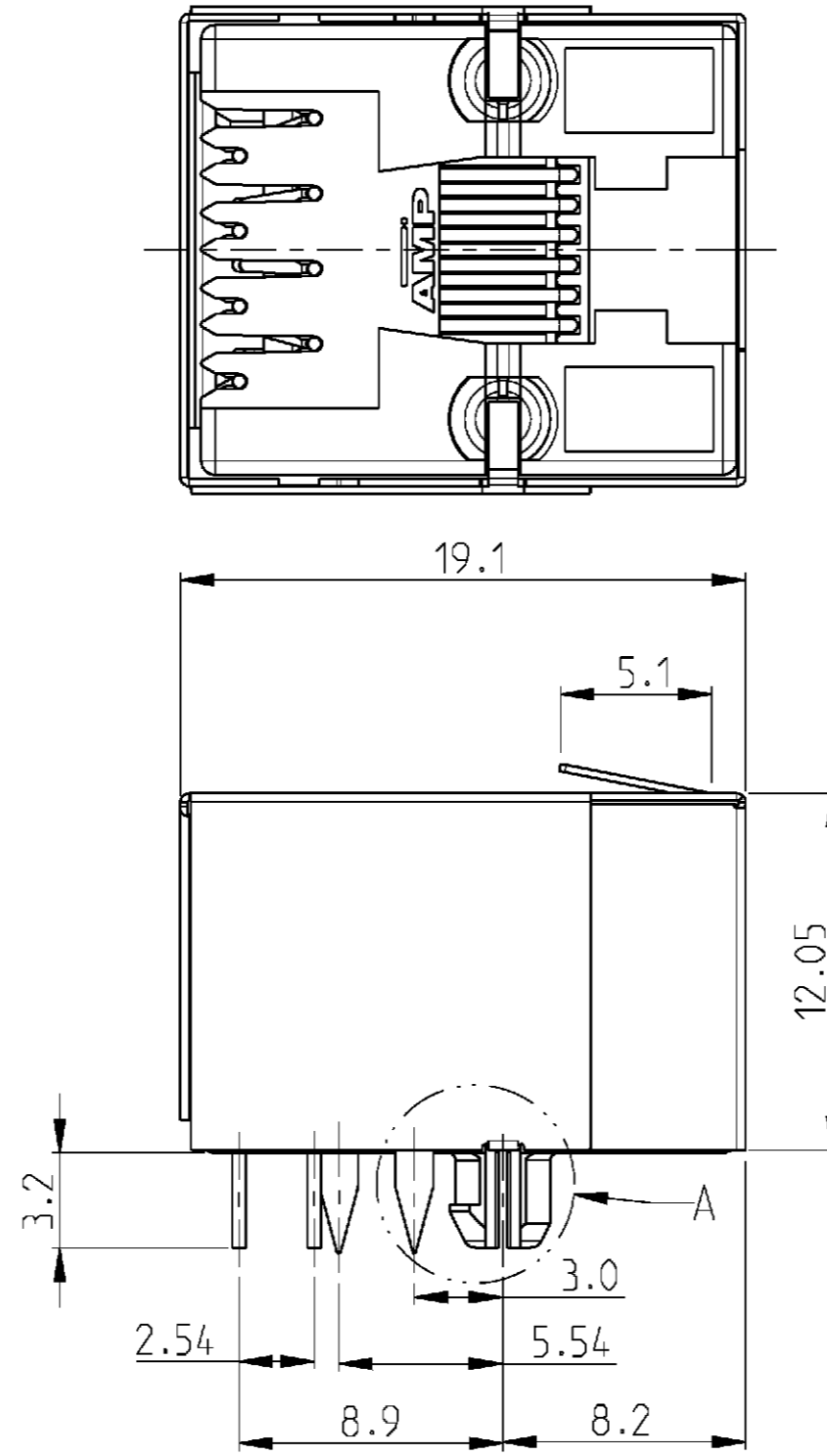
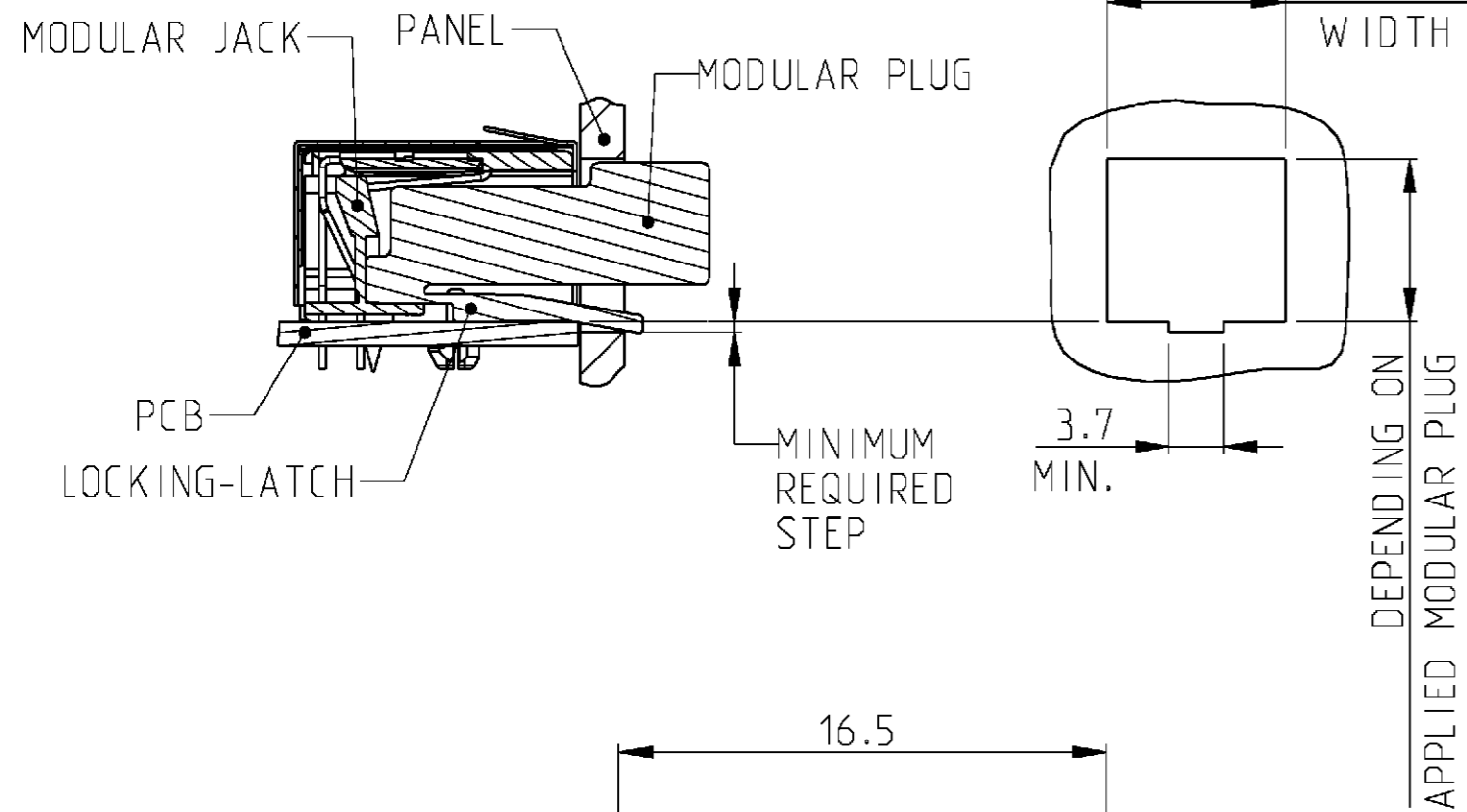


THIS DRAWING IS UNPUBLISHED. RELEASED FOR PUBLICATION 2000
 © COPYRIGHT 2000 BY TYCO ELECTRONICS CORPORATION. ALL RIGHTS RESERVED.

LOC		DIST		REVISIONS			
P	LTR	DESCRIPTION	DATE	DWN	APVD		
	L	SR10-0471-01	10 DEC 01	KV			

PANEL CUT-OUT DIMENSIONS FOR REAR PANEL MOUNT.



1 FOR APPLICATION INFORMATION SEE AMP SPEC. 114-19019
 2 FOR PERFORMANCE REQUIREMENTS SEE AMP SPEC. 108-19064 EXCEPT SHIELDING REQUIREMENTS.

190 PCS IN A TRAY	IN CONTACT AREA: 1.2 µm MIN. SEL. GOLD OVER 1.2 µm MIN. NICKEL	HOUSING: PBT UL 94V-0 BLACK	106066-2
	SOLDER TINES: 2.5 µm MIN. TIN-LEAD OVER 1.2 µm MIN. NICKEL	CONTACTS: PHBRONZE	
		SHIELD: PHBRONZE PRE-PLATED (BRIGHT TIN)	
PACKAGING	FINISH	MATERIAL	P/N

PRINTED CIRCUIT BOARD LAYOUT.
 (VIEW SHOWN IS CIRCUIT (NONCOMPONENT) SIDE OF BOARD)
 PRINTED CIRCUIT BOARD THICKNESS: 1.6 mm NOMINAL.
 TOLERANCES UNLESS OTHERWISE SPECIFIED: ±0.05

THIS DRAWING IS A CONTROLLED DOCUMENT FOR TYCO ELECTRONICS CORPORATION. IT IS SUBJECT TO CHANGE AND THE CONTROLLING ENGINEERING ORGANIZATION SHOULD BE CONTACTED FOR THE LATEST REVISION.		DWN Verougstraete	29 JAN 02	Tyco Electronics Dostkamp - Belgium	
DIMENSIONS: mm	TOLERANCES UNLESS OTHERWISE SPECIFIED:	CHK -	APVD -	NAME MODULAR JACK 8 POS., LOW PROFILE FULLY SHIELDED, SIDE ENTRY, WITH INSULATING TAPE	
	0 PLC # 0.15	PRODUCT SPEC -	APPLICATION SPEC -	SIZE A2	CAGE CODE 00779
	1 PLC # 0.15	WEIGHT -	DRAWING NO C=106066	RESTRICTED TO -	
	2 PLC # 0.15	CUSTOMER DRAWING	SCALE 4:1	SHEET 1 OF 1	REV L
	3 PLC # 0.15				
	4 PLC # 0.15				
	ANGLES ±0.30°				
	FINISH -				