

SPECIFICATIONS SHEET

PRODUCT TYPE : MAGNETIC BUZZER

PRODUCT SERIES : 41.S01P240A-LF

COLOR : BLACK

ELECTRICAL SPECIFICATIONS

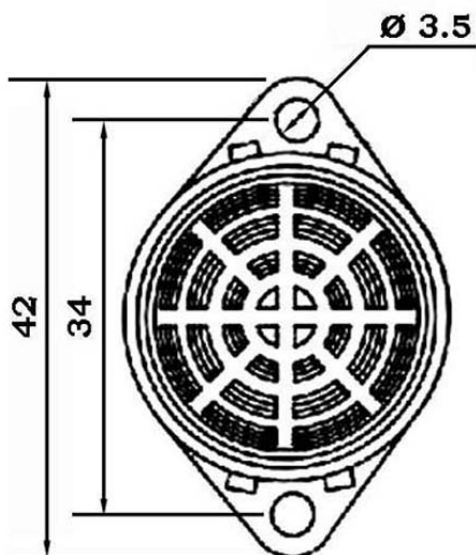
MODEL NO.		41.S01P240A-LF
OPERATING VOLTAGE RANGE (VDC)		15.0 ~ 28.0
RATED VOLTAGE (VDC)		24.0
* MAX. RATED CURRENT (mA)		20.0
* MIN. SOUND OUTPUT (dBA/ 30 cm)		90.0
* FREQUENCY (Hz)		2800 ± 200
TONE NATURE		SINGLE
OPERATING TEMPERATURE (°C)		- 20 ~ + 60
TERMINAL		PIN
HOUSING MATERIAL		ABS
WEIGHT (g)		17.0

* Value applying at rated voltage

DIMENSIONS

UNIT : mm

TOP VIEW



SIDE VIEW

