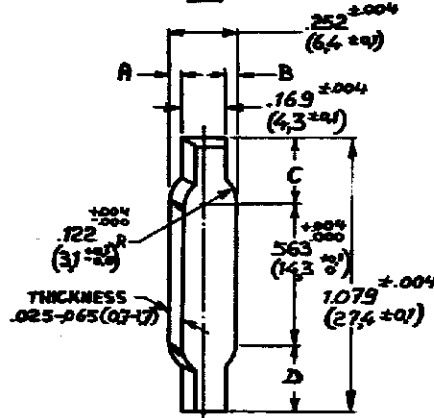
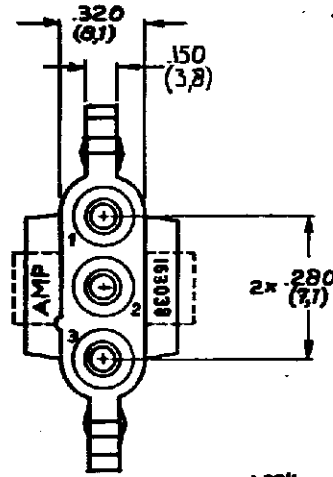
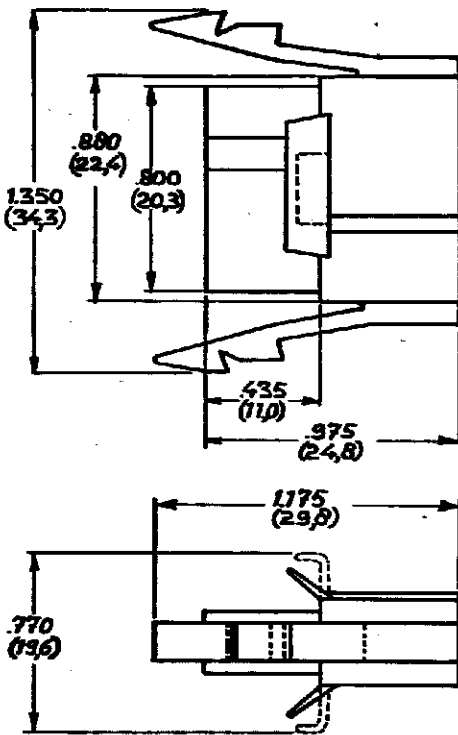


DRAWING MADE IN AMERICAN PROJECTION

MAPPER C-163038

(U.S.A.)



PANEL CUT-OUT

ANTI-RATTLE WINGS AND LOCKING BARBS CAN BE DIFFERENT OF APPEARANCE.

DIMENSIONS ABB AND C&D TO BE EQUAL WITHIN (0,2)008 THE PANEL MUST BE PUNCHED SO THAT THE HOUSING ENTERS THE PANEL IN THE SAME DIRECTION AS THE PUNCH.

4-163038-9	BLACK	
4-163038-8	GREY	
4-163038-7	VIOLET	
4-163038-6	BLUE	
4-163038-5	GREEN	
4-163038-4	YELLOW	
4-163038-3	ORANGE	
4-163038-2	RED	
4-163038-1	BROWN	
4-163038-0	NATURAL	

CUSTOMER COPY FOR REFERENCE ONLY

©1980 BY AMP-HOLLAND N.V. ALL RIGHTS RESERVED A-MP PRODUCTS COVERED BY PATENTS AND/OR PATENTS PENDING.



AMP-HOLLAND N.V.
's-Hertogenbosch

INTERNAL: DURETHAN KL 1-2108

FIRST USED

ORDER NO.	MATERIAL	PLATING
-----------	----------	---------

SCALE 2:1

SIZE A

NO C-163038

PAGE 4 OF 4

REV C

DR. R. Visser DATE 12/73

CHK. DATE 12/73

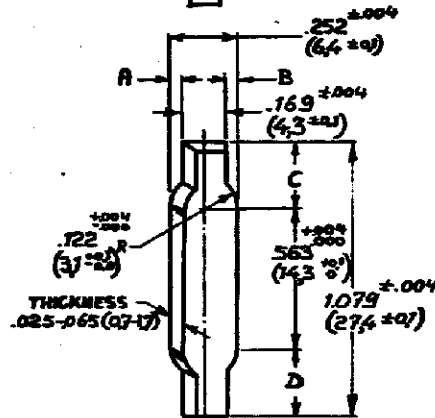
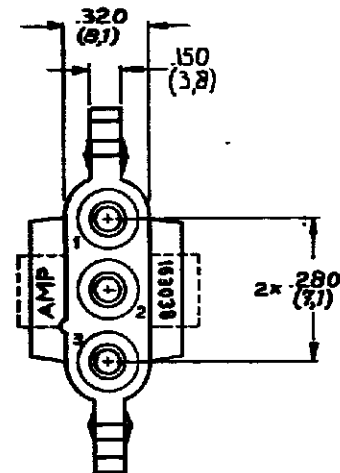
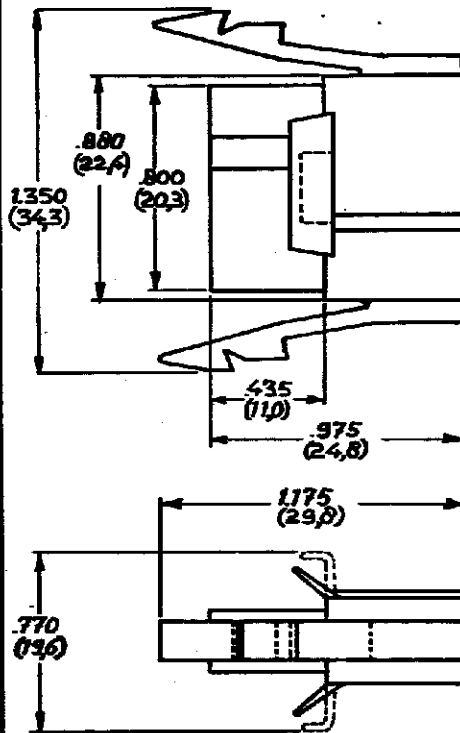
3-CIRCUIT SOCKET HOUSING MATE-N-LOK

AMP 163038

DRAWING MADE IN AMERICAN PROJECTION

NUMBER C-163038

(U.S.A.)



PANEL CUT-OUT

ANTI-RATTLE WINGS AND LOCKING BARBS CAN BE DIFFERENT OF APPEARANCE.

DIMENSIONS A+B AND C+D TO BE EQUAL WITHIN (.02) .008 THE PANEL MUST BE PUNCHED SO THAT THE HOUSING ENTERS THE PANEL IN THE SAME DIRECTION AS THE PUNCH.

DIMENSIONS IN INCHES DO NOT SCALE PRINT

2-163038-9	BLACK	
2-163038-8	GREY	
2-163038-7	VIOLET	
2-163038-6	BLUE	
2-163038-5	GREEN	
2-163038-4	YELLOW	
2-163038-3	ORANGE	
2-163038-2	RED	
2-163038-1	BROWN	
2-163038-0	NATURAL	

CUSTOMER COPY FOR REFERENCE ONLY

©1980 BY AMP-HOLLAND N.V. ALL RIGHTS RESERVED A-MP PRODUCTS COVERED BY PATENTS AND/OR PATENTS PENDING.



AMP-HOLLAND N.V.
's-Hertogenbosch

HWL: ZYTEL PE 3016

ORDER NO.	MATERIAL	PLATING
DR R. Vissers 26.7.73		

SCALE	SIZE	NO	REV
2:1	A	C-163038	PAGE 2 OF 4

CHK	DATE	APP	DATE
E. T. ...	26.6.73		27.6.73

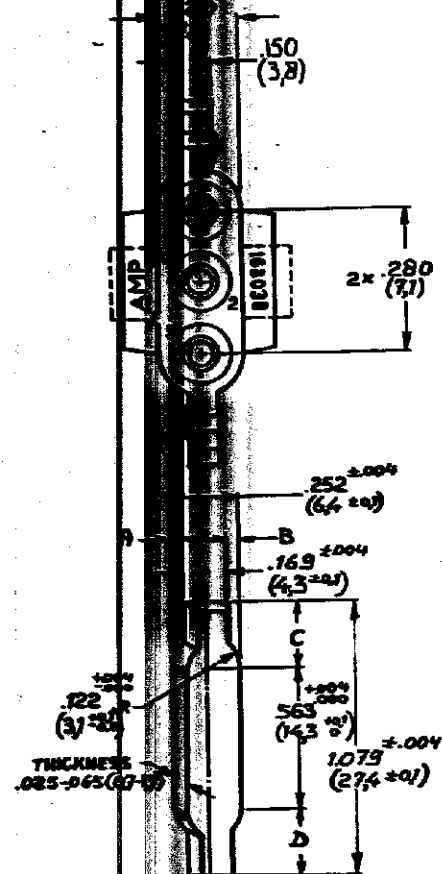
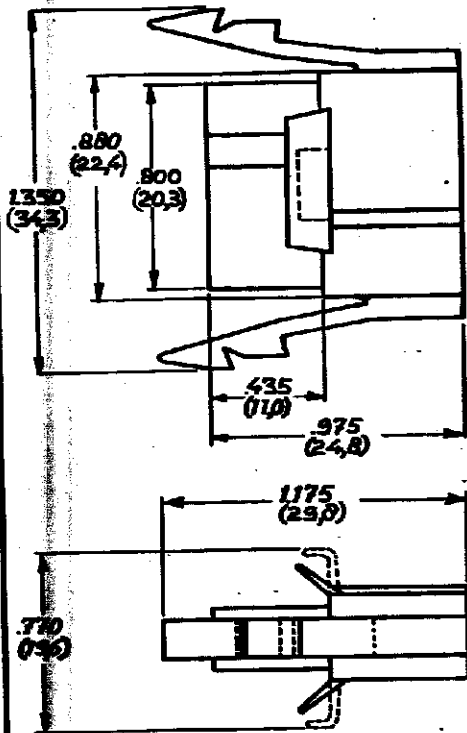
NAME 3-CIRCUIT SOCKET HOUSING MATE-N-LOK

AMP 1254

DRAWING MADE IN AMERICAN PROJECTION

NUMBER C-163038

(U.S.A.)



WING-BATTLE WINGS AND LOCKING BARBS CAN BE DIFFERENT OF APPEARANCE

PANEL CUT-OUT
DIMENSIONS A, B AND C TO BE EQUAL WITHIN .005"
THE PANEL SHOULD BE PUNCHED SO THAT THE HOUSING ENTERS THE PANEL IN THE SAME DIRECTION AS THE PUNCH.

DIMENSIONS IN PARENTHESES DO NOT SCALE PRINT

CUSTOMER COPY FOR REFERENCE ONLY

©1980 BY AMP-HOLLAND N.V. ALL RIGHTS RESERVED A-AMP PRODUCTS COVERED BY PATENTS AND/OR PATENTS PENDING.



AMP-HOLLAND N.V.
's-Hertogenbosch

3-163038-0 NATURAL

ORDER NO.

MATERIAL

PLATING

ORDER: TECHNICAL- R10

ENGL. RANGE

FIRST USED

SCALE

SIZE

NO

C-163038

PAGE 3 OF 4

REV

DATE JUN 26 1973

DATE

DATE

DATE JUN 26 1973

DATE

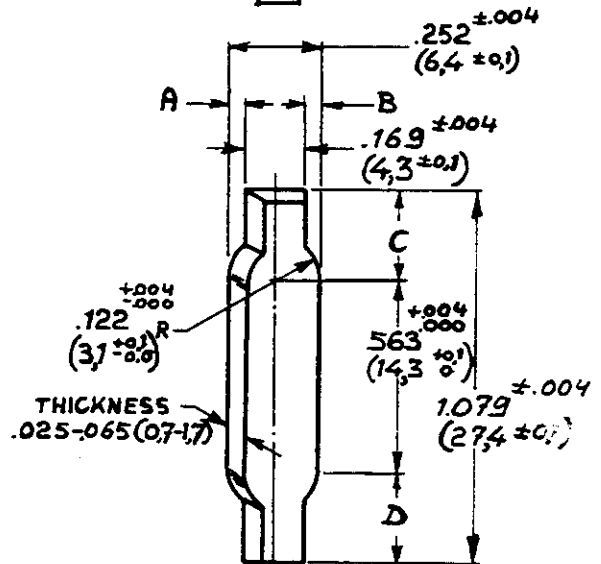
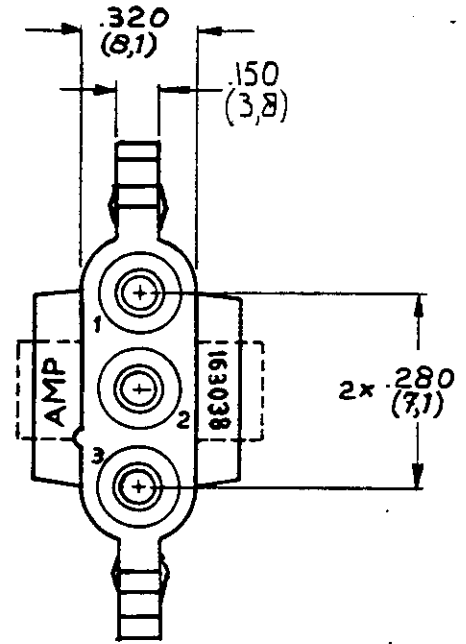
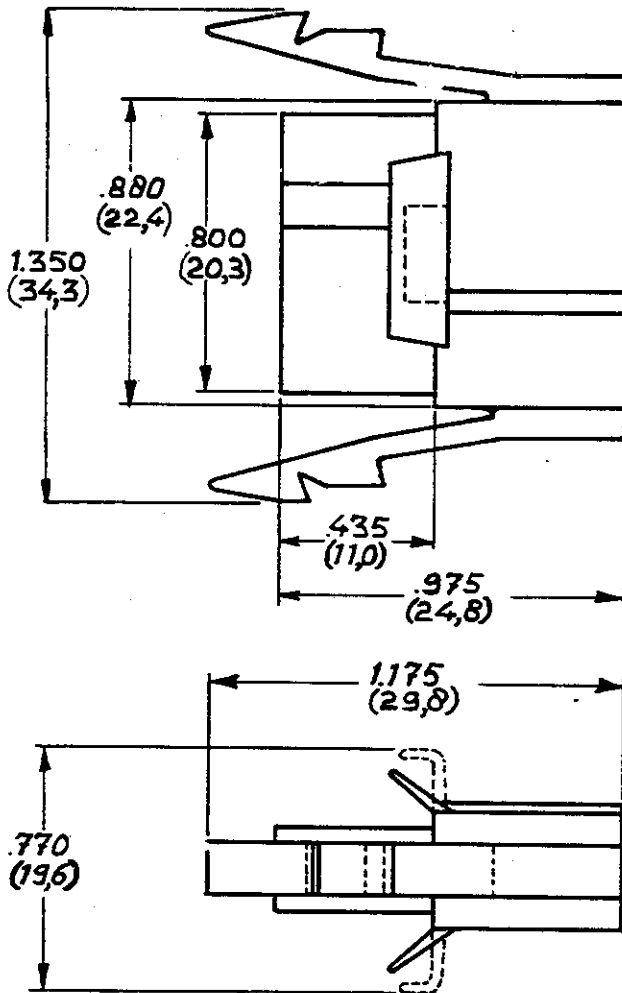
DATE

3-CIRCUIT SOCKET HOUSING MATE-N-LOK

DRAWING MADE IN AMERICAN PROJECTION

NUMBER C-163038

(U.S.A.)



PANEL CUT-OUT

*ANTI-RATTLE WINGS AND LOCKING BARBS CAN BE DIFFERENT OF APPEARANCE.

DIMENSIONS A&B AND C&D TO BE EQUAL WITHIN (0,2).008. THE PANEL MUST BE PUNCHED SO THAT THE HOUSING ENTERS THE PANEL IN THE SAME DIRECTION AS THE PUNCH.

4-163038-9	BLACK	
4-163038-8	GREY	
4-163038-7	VIOLET	
4-163038-6	BLUE	
4-163038-5	GREEN	
4-163038-4	YELLOW	
4-163038-3	ORANGE	
4-163038-2	RED	
4-163038-1	BROWN	
4-163038-0	NATURAL	

CUSTOMER COPY FOR REFERENCE ONLY

©1980 BY AMP-HOLLAND N.V. ALL RIGHTS RESERVED A-MP PRODUCTS COVERED BY PATENTS AND/OR PATENTS PENDING.



AMP-HOLLAND N.V.
's-Hertogenbosch

MATERIAL: DVRETHAN KL 1-2208 FIRST USED

ORDER NO. MATERIAL PLATING

SCALE 2:1 SIZE A NO C-163038 PAGE 4 OF 4 REV C

DR R. Visser DATE 26-6-73

CHK C. Tilburg DATE 26-6-75 APP. DATE 27-6-73

NAME 3-CIRCUIT SOCKET HOUSING MATE-N-LOK

DIMENSIONS IN (MM) DO NOT SCALE PRINT