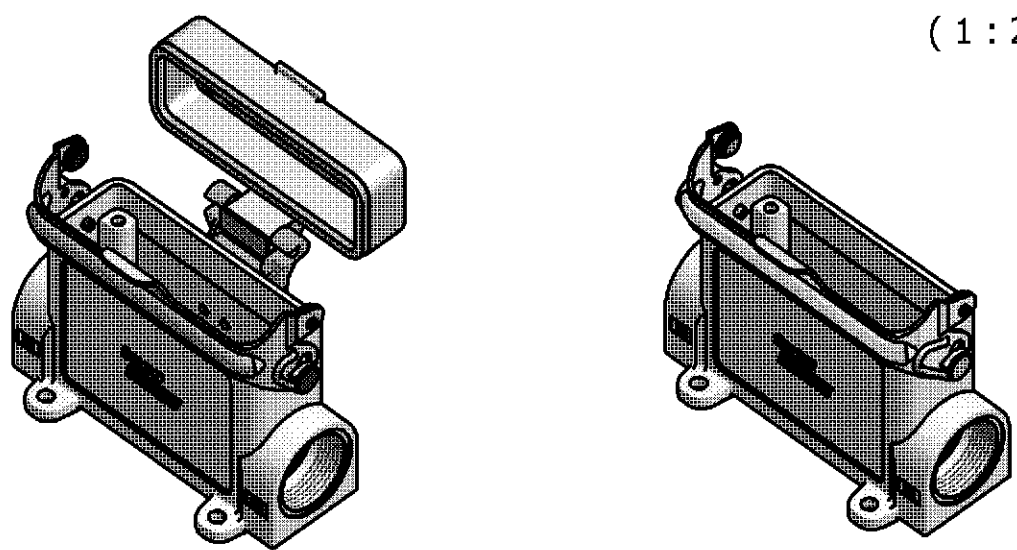


**NOTES**

- 1 PACKAGING QUANTITY: 5 PIECES PER BOX
- △ 2 MATERIAL: HOUSING: ALUMINIUM DIE CAST ALLOY
- △ 3 SURFACE: VARNISH GREY  
: ALUMINIUM OXIDE + VARNISH BLACK
- 4 VARNISH ON THE INSIDE NOT NECESSARY
- △ 5 SPECIAL PACKING

**PN:0-1 as shown**



**PN:0-1**

**PN:0-2, 0-5 & 1-2**

( 1 : 2 )

1	2	3	4	5	6	7	8	9	10
1	-	-	-	Clip	Stainless steel	Even	-	5	-
1	-	-	-	Surface Mounted Housing-Side entry HD-K	Aluminium	Alumium oxide	Black	4	-
-	-	-	1	Cover	Aluminium	-	Grey	3	-
-	1	1	1	Clip	Steel	Zinc Plated	Blue	2	-
-	1	1	1	Surface Mounted Housing-Side entry HD	Aluminium	-	Grey	1	-
<b>1-2</b>	<b>0-5</b>	<b>0-2</b>	<b>0-1</b>	<b>DESCRIPTION</b>	<b>MATERIAL</b>	<b>SURFACE</b>	<b>COLOR</b>	<b>ITEM NO.</b>	<b>REMARKS</b>
				ORDERING TEXT					
				HD.25.SGD-LB.2.M25.Z					
				HD.25.SG-LB.2.M25.Z					
				HD.25.SG-LB.2.M25.Z.KM					
				HD-K.25.SG-LB.1.M25.Z					
					△ 5 PACKAGING				

THIS DRAWING IS A CONTROLLED DOCUMENT FOR AMP INCORPORATED. IT IS SUBJECT TO CHANGE AND THE CONTROLLING ENGINEERING ORGANIZATION SHOULD BE CONTACTED FOR THE LATEST REVISION. DIESSES ZEICHNUNGSDOKUMENT WIRD DURCH AMP INCORPORATED KONTROLLIERT. ÄNDERUNGEN, DIE DEM TECHNISCHEN FORTSCHRITT DIENEN, SIND VORBEHALTEN. DEN JEWEILS LETZTIGELTIGEN ÄNDERUNGSSTAND ERFAHREN SIE AUF ANFRAGE.	DWN S.KUMAR 4/24/2006	 Tyco / Electronics AMP GmbH D - 53819 Neunkirchen, Germany
DIMENSIONS: DIMENSIONEN: mm	CHK P.BENNUR 4/24/2006	
TOLERANCES UNLESS OTHERWISE SPECIFIED: ALLGEMEINTOLERANZEN	APVD T.SCHNURPFEIL 4/24/2006	SURFACE MOUNTED HOUSING-SIDE ENTRY HD.25.SG/SGD-LB.2.M25.Z
n. ISO 8015 - n. ISO 2768 - mH-E n. DIN 16901-	PRODUCT SPEC. PRODUKTSPEZ. 108-74009	
0 PLC # 1 PLC # 2 PLC # 3 PLC # ANGLES / WINKEL #	APPLICATION SPEC. VERARBEITUNGSSPEZ. 114-74004	SIZE <b>A3</b>
MATERIAL	WEIGHT GEWICHT -	
△ 2	△ 3	DRAWING NO ZEICHNUNGS-NR. <b>1106441</b>
CUSTOMER DRAWING / KUNDENZEICHNUNG		RESTRICTED TO NUR FUER
SCALE MASSSTAB 1:1		SHEET BLATT 1 OF VON 1 REV. B1