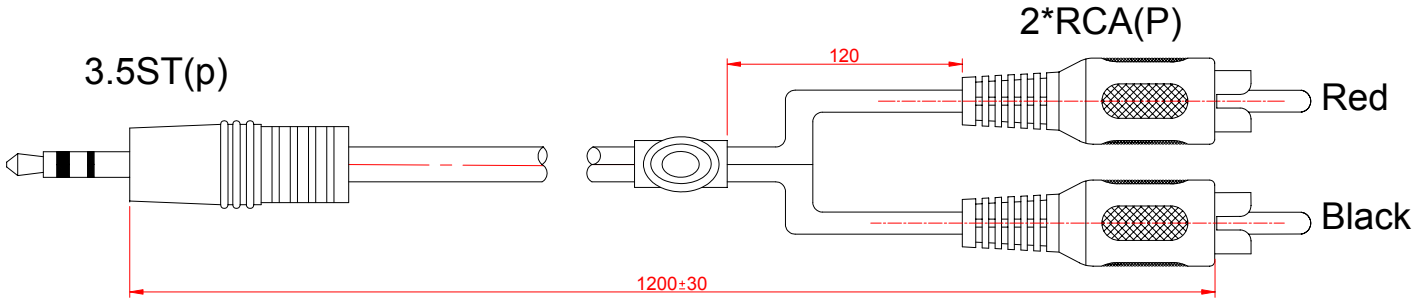


1 2 3 4 5 6

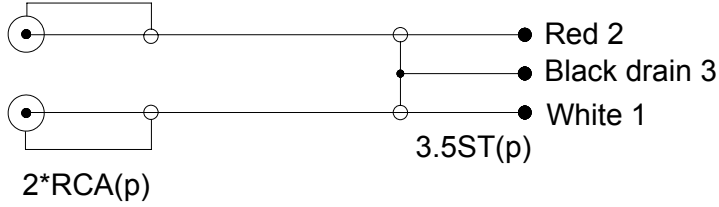
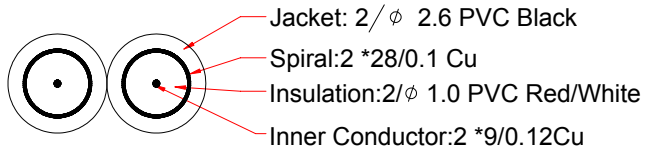
ECN Symbol	ECN No.	Descriptions	Date

A A

B B



C C



D D

1 2 3 4 5 6

Prepared	Neil T	Material			Model	AV00248
Checked		Finish				
Approved		Q'ty	VER.	Scale		
Unit mm			A-1			
Ref/No.		Page			<b>JESMAY</b>	