



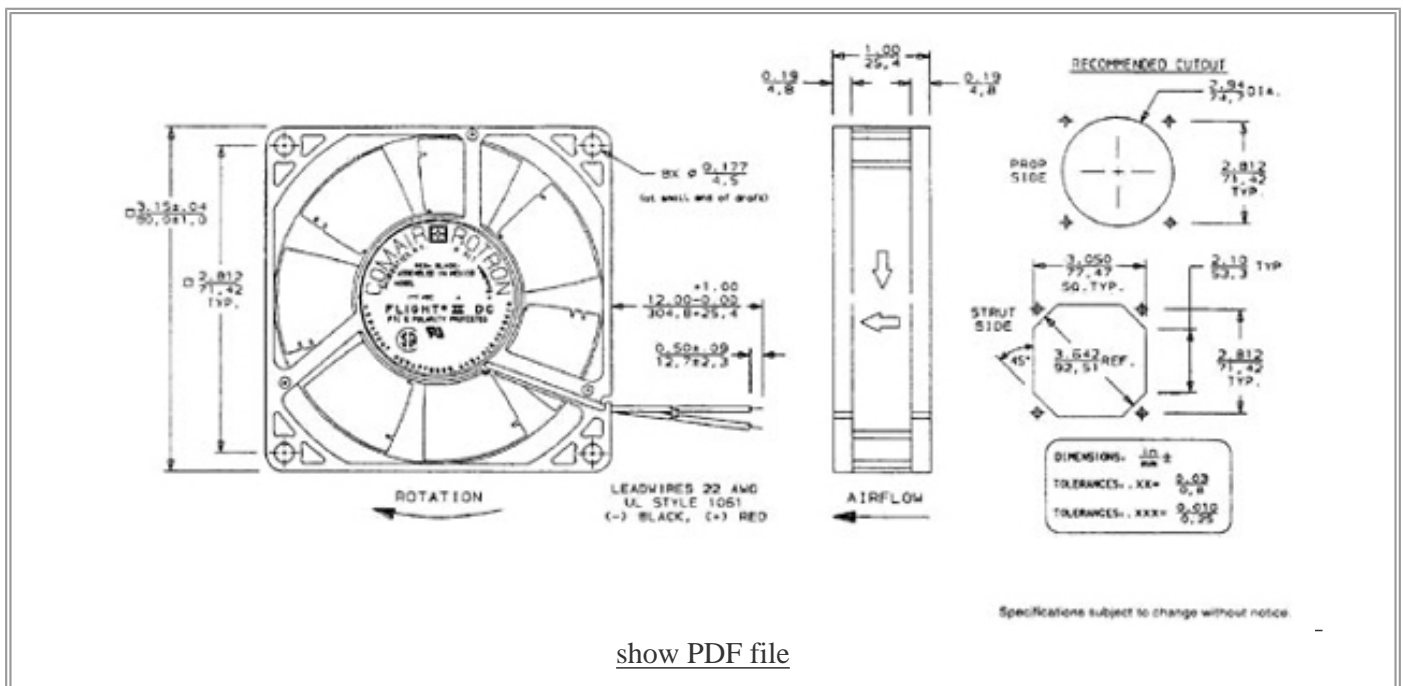
Flight II 80 (DC Fan)

COMAIR ROTRON PART NUMBER: **039230**
 COMAIR ROTRON MODEL NUMBER: **FE12B3-E2**



MOTOR	
Rated Voltage:	12
Operating Voltage Range:	6 - 14
Running Current: 50Hz 60Hz (amps)	
Locked Rotor Current: (amps)	0.57
Rated Power: 50Hz 60Hz (watts)	
Nominal Speed: 50Hz 60Hz (rpm)	

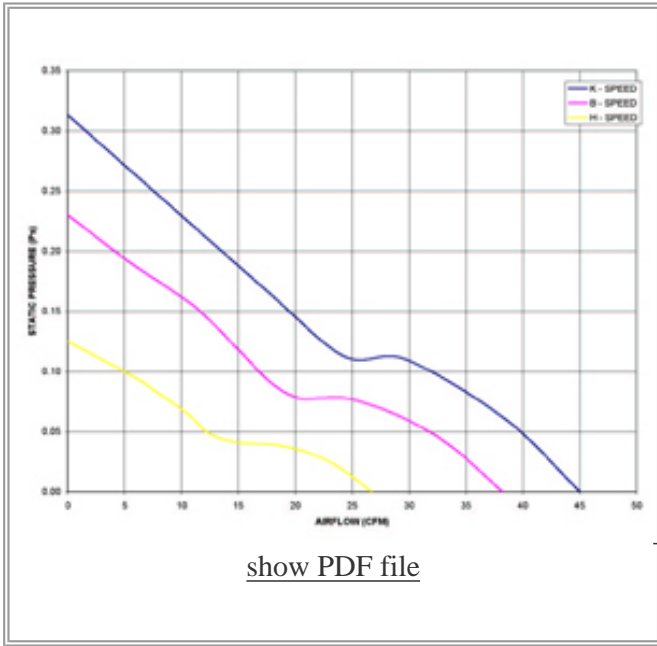
MECHANICAL	
Dimensions:	80mm x 25mm (3.15in x 1.00in)
Bearing Type:	Ball
Motor Base:	Polyphenylene Oxide (PPO), UL94V-0, Black
Propeller:	Polybutylene Terephthalate (PBT), UL94V-0, Black



[show PDF file](#)

NOTES

Environmentally Protected - Type 2



PERFORMANCE CHARACTERISTICS

Air Flow: (CFM)	37
Static Pressure:	.230

TERMINATION

Leadwires:	12" Leadwires
------------	---------------

SAFETY



All product names are used under license and are trademarks or registered trademarks of Comair Rotron, Inc.

[New Search](#)