

MICRO SWITCH
a Honeywell Division

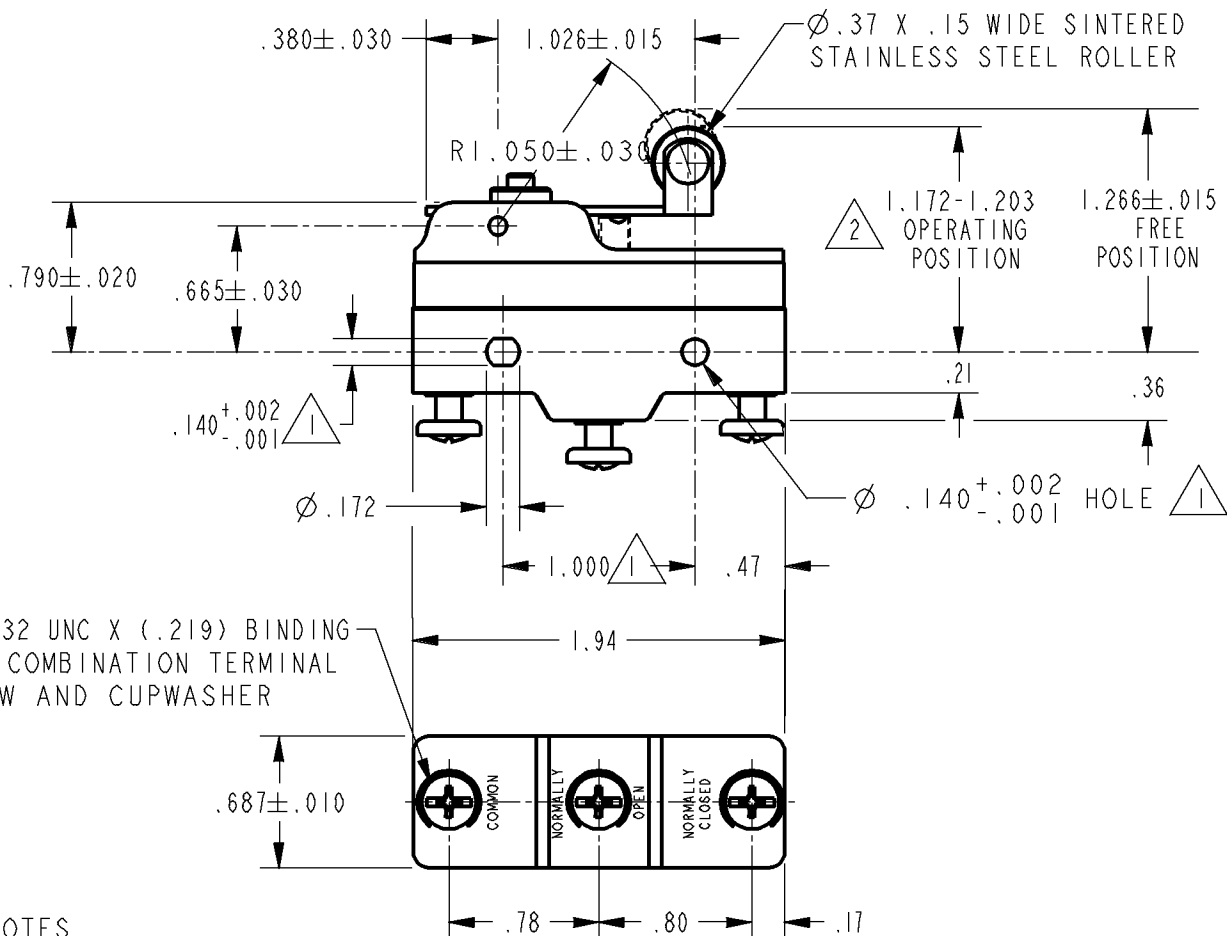
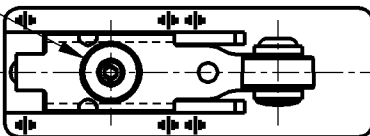
FED. MFG. CODE 91929

SWITCH - BASIC

CATALOG LISTING
BZ-2RW82299-A2

APT9000

MOLDED NUT WITH SELF
LOCKING 6-32 UNC THREAD
X .250 LONG ADJUSTING
SCREW WITH .062 HEX SOCKET



3X 6-32 UNC X (.219) BINDING
HEAD COMBINATION TERMINAL
SCREW AND CUPWASHER

NOTES

- ① MOUNTING HOLES WILL ACCEPT PINS OR SCREWS OF Ø .139 MAX ON 1.000 ± .002 CENTERS
- ② ADJUSTING SCREW PERMITS ADJUSTMENT OF OPERATING POSITION THROUGH RANGE INDICATED
- ③ DO NOT OVERTRAVEL MORE THAN .145 FROM ANY OPERATING POSITION TO PROVIDE OPTIMUM MECHANICAL LIFE

ANSI Y14.5M-1982 APPLIES

THIS DRAWING COVERS A PROPRIETARY ITEM AND IS THE PROPERTY OF MICRO SWITCH, A DIVISION OF HONEYWELL. THIS DRAWING IS NOT TO BE COPIED OR USED WITHOUT THE APPROVAL OF MICRO SWITCH.

THIRD ANGLE PROJECTION

CHARACTERISTICS

OPERATING FORCE ----- 6 OZ MAX
RELEASE FORCE ----- 1 1/2 OZ MIN
DIFFERENTIAL TRAVEL ----- .003-.020
OVERTRAVEL ----- ③ --- .040 MIN FROM
1.172 OPERATING
POSITION

ELECTRICAL DATA

CONTACT ARRANGEMENT
S P D T
L96
15A 125, 250 OR 480 VAC
1/8HP 125 VAC, 1/4HP 250 VAC
1/2A 125 VDC, 1/4A 250 VDC

SCALE FULL DO NOT SCALE PRINT

UNLESS OTHERWISE SPECIFIED TOLERANCES ARE
ONE PLACE (.0) ±.030
TWO PLACE (.00) ±.015
THREE PLACE (.000) ±.005

L288
L315
L306



16A 250V T85 5E4

ANGLES ±

WEIGHT

BZ-2RW82299-A2
 CATALOG LISTING
 PAGE 1 OF 1
 ISSUE 14
 REVISIONS
 A CO95815C TSM 7MAR00
 B 0017579 KRB 08DEC05
 C 0019679 LKM 06MAR06
 RELEASE NO. SR-7217
 CHECK 08DEC05
 CHECK RJ
 CHECK 7MAR00
 CHECK SAV
 CHECK 7MAR00
 DRAWN TSM
 PTC/CAD 2D