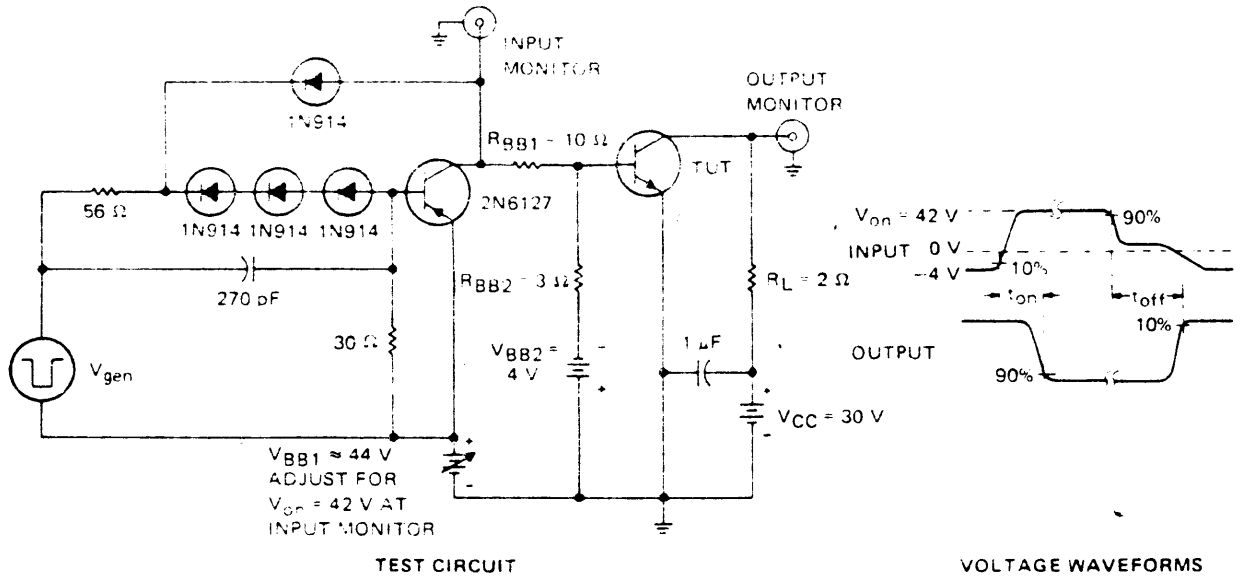


# TYPES 2N6326, 2N6327, 2N6328 N-P-N SILICON POWER TRANSISTORS

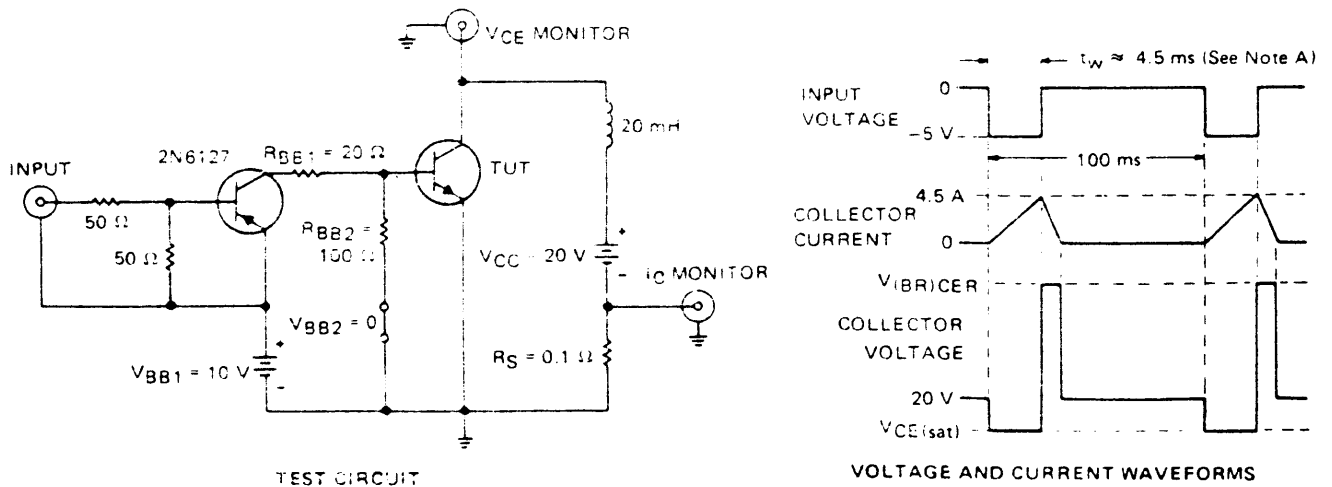
## PARAMETER MEASUREMENT INFORMATION



- NOTES:
- A.  $V_{gen}$  is a  $\pm 30$  V pulse (from 0 V) into a  $50\text{-}\Omega$  termination.
  - B. The  $V_{gen}$  waveform is supplied by a generator with the following characteristics:  $t_r \leq 15$  ns,  $t_f \leq 15$  ns,  $Z_{out} = 50\text{-}\Omega$ ,  $t_w = 20\text{-}\mu\text{s}$ , duty cycle  $\leq 2\%$ .
  - C. Waveforms are monitored on an oscilloscope with the following characteristics:  $t_r \leq 15$  ns,  $R_{in} \geq 10\text{-M}\Omega$ ,  $C_{in} \leq 11.5\text{-pF}$ .
  - D. Resistors must be noninductive types.
  - E. The d.c. power supplies may require additional bypassing in order to minimize ringing.

FIGURE 1

## INDUCTIVE LOAD SWITCHING



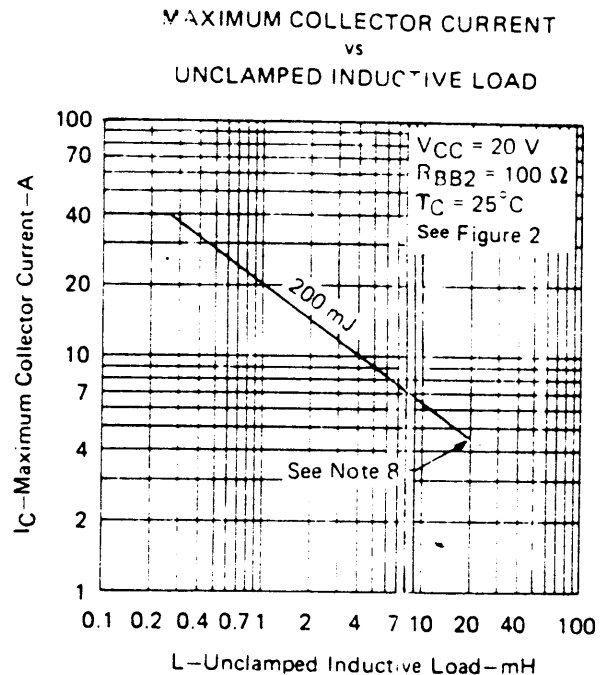
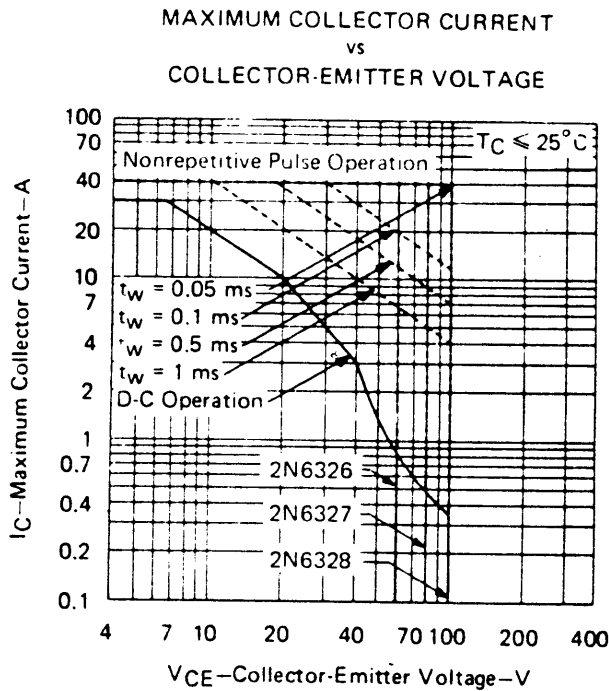
NOTE A: Input pulse width is increased until  $I_{CM} = 4.5$  A.

FIGURE 2

TEXAS  
INSTRUMENTS

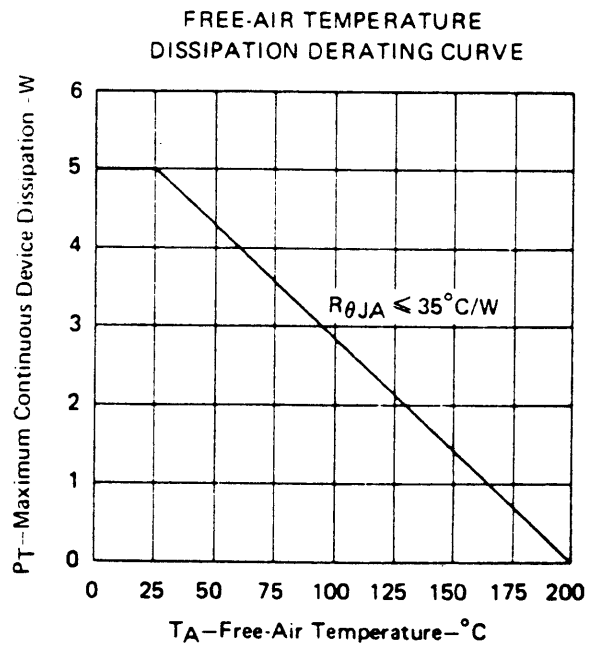
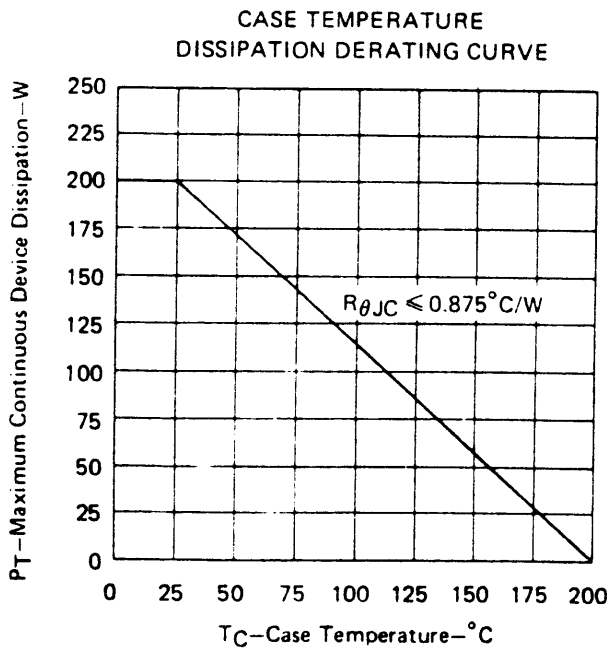
# TYPES 2N6326, 2N6327, 2N6328 N-P-N SILICON POWER TRANSISTORS

## MAXIMUM SAFE OPERATING AREAS



NOTE 8: Above this point the safe operating area has not been defined.

## THERMAL INFORMATION



**UNITED KINGDOM**  
Regional Technology Centre  
Texas Instruments Limited  
Manton Lane  
Bedford MK41 7PA  
Telephone: (0234) 67466  
Telex: 82178  
Technical Enquiry Service  
Telephone: (0234) 223000

**FRANCE**  
Texas Instruments France  
Boite Postale 5  
06270 Villeneuve Louber  
Telephone: (93) 200101  
Telex: 470127

**GERMANY**  
Texas Instruments  
Deutschland GmbH.  
Haggertystrasse 1  
8050 Freising  
Telephone: 08161 800  
Telex: 526529

**ITALY**  
Texas Instruments  
Semiconduttori Italia S.P.A.  
Divisione Semiconduttori  
Viale delle Scienze 1  
02015 Cittaducale (Rieti)  
Telephone: (0746) 6941  
Telex: 611003