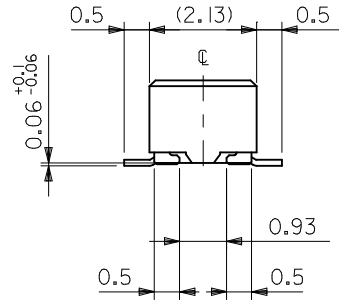
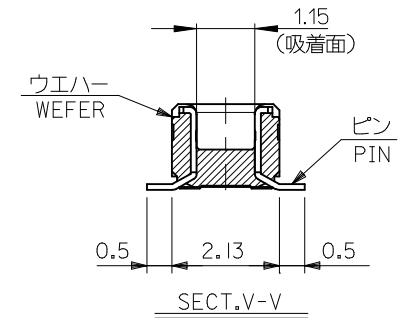


注記 NOTES:

1. 使用材料 MATERIAL  
 ウエハー: 液晶ポリマー (LCP) ガラス充填 UL94V-0 (黒)  
 WAFER: LIQUID CRYSTAL POLYMER (GLASS FILLED)  
 UL94V-0 (COLOR: BLACK)  
 ピン: 黄銅 (t=0.12)  
 PIN: BRASS (t=0.12)  
 金具: リン青銅 (t=0.2)  
 FITTING NAIL: PHOSPHOR BRONZE (t=0.2)
2. メッキ仕様 PLATING  
 ピン PIN  
 金メッキ 0.2 マイクロメートル以上 (コンタクト部)  
 GOLD 0.2MICROMETER MINIMUM (CONTACT AREA)  
 金メッキ 0.4 マイクロメートル以下 (テール部)  
 GOLD 0.4MICROMETER MAXIMUM (TAIL AREA)  
 下地メッキ: ニッケルメッキ 1.5 マイクロメートル以上  
 UNDER PLATING: NICKEL 1.5MICROMETER MINIMUM  
 金具 FITTING NAIL  
 錫メッキ 1.0 マイクロメートル以上  
 TIN PLATING 1.0MICROMETER MINIMUM  
 下地メッキ: ニッケルメッキ 1.0 マイクロメートル以上  
 UNDER PLATING: NICKEL 1.0MICROMETER MINIMUM



3. (全種数/2) = 偶数の場合に適用。  
 APPLY FOR (CIRCUIT/2)=EVEN.
4. 嵌合相手: 51338シリーズ, 500913シリーズ  
 MATE WITH: 51338 SERIES, 500913SERIES.
5. テール平坦度は、0.08以下  
 テール及び金具の平坦度は、0.1以下  
 TAIL COPLANARITY TO BE 0.08MAXIMUM  
 TAIL AND FITTING NAIL  
 COPLANARITY TO BE 0.1 MAXIMUM
6. ELV 及び RoHS 適合品  
 ELV AND RoHS COMPLIANT.

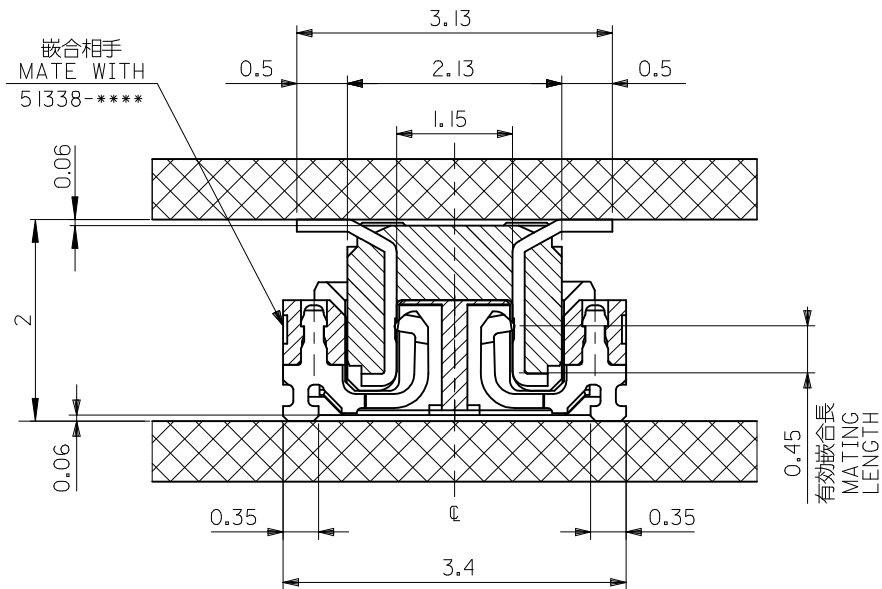


-	O	501745-0801	17.2	15.6	18.0	501745-0800	80
O	O	501745-0601	13.2	11.6	14.0	501745-0600	60
O	O	501745-0401	9.2	7.6	10.0	501745-0400	40
-	O	501745-0341	8.0	6.4	8.8	501745-0340	34
2.3	2.0	EMBOSSSED TAPE					
MATED HEIGHT		ORDER NO. オーダー番号	C	B	A	MATERIAL No.	CKT.

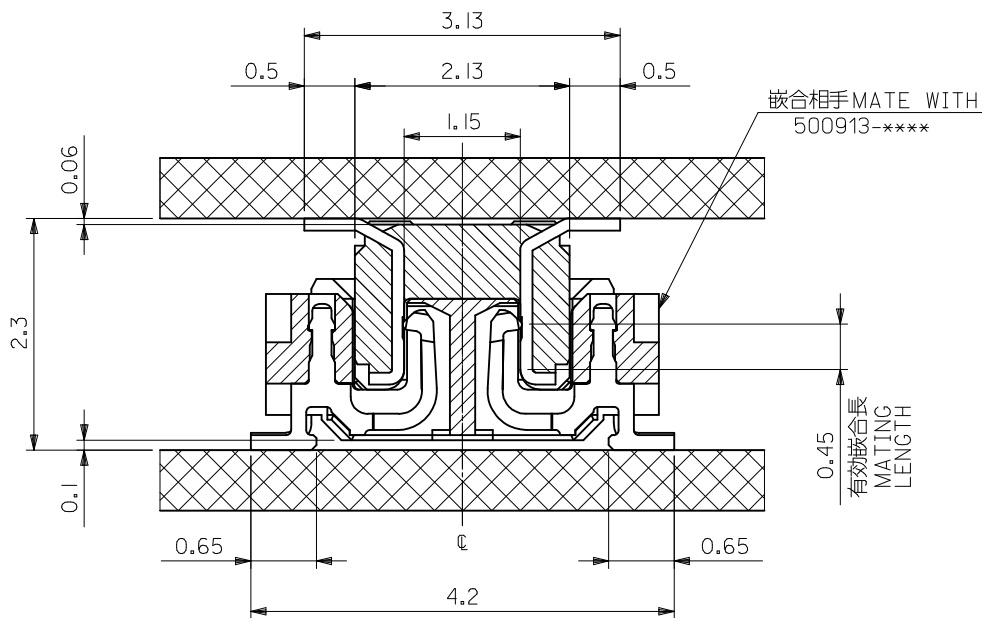
REVISED EC NO: J2009-2165 DRWN: HAJIMA 2008/11/20 CHKD: THARUYAMA 2009/04/01 APPR: THARUYAMA 2009/04/01	GENERAL TOLERANCES (UNLESS SPECIFIED)		DIMENSION STYLE MM ONLY		SCALE ---	DESIGN UNITS METRIC	MODEL NO. 501745-***0	THIRD ANGLE PROJECTION
	10 UNDER	±0.2	DRAWN BY K. SAITO	DATE 2007/03/01	TITLE 0.4 B-TO-B CONN. PLUG ASSY (HGT=2/2.3) WITH NAIL			
	10 OVER 30 UNDER	±0.25	CHECKED BY K. KASAHARA	DATE 2007/03/01	MOLEX INCORPORATED			
	30 OVER	±0.3	APPROVED BY N. UKITA	DATE 2007/03/01	DOCUMENT NO. SD-501745-001			
	ANGULAR ±3 °	DRAFT WHERE APPLICABLE MUST REMAIN WITHIN DIMENSIONS		SEE TABLE		SHEET NO. 1 OF 2		
		THIS DRAWING CONTAINS INFORMATION THAT IS PROPRIETARY TO MOLEX INCORPORATED AND SHOULD NOT BE USED WITHOUT WRITTEN PERMISSION						

10 9 8 7 6 5 4 3 2 1

F

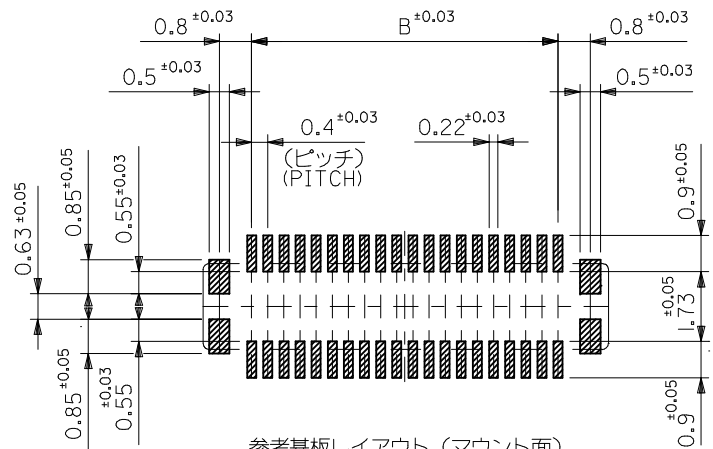


嵌合断面図 (参考)  
MATED DRAWING (REFERENCE)



嵌合断面図 (参考)  
MATED DRAWING (REFERENCE)

B



参考基板レイアウト (マウント面)  
P.C.BOARD PATTERN DIMENSION.  
(REFERENCE)  
(MOUNTING AREA)

REVISED	EC NO: J2009-2165	2008/11/20
	DRWN: HAJIMA	2009/04/01
	CHKD: THARUYAMA	2009/04/01
	APPR: THARUYAMA	2009/04/01
REV	DESCRIPTION	

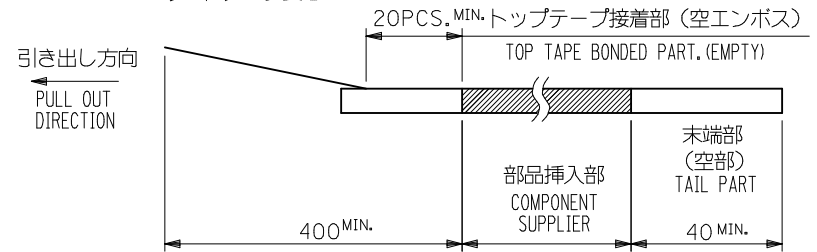
GENERAL TOLERANCES (UNLESS SPECIFIED)	
10 UNDER	±0.2
10 OVER 30 UNDER	±0.25
30 OVER	±0.3
ANGULAR ±3 °	
DRAFT WHERE APPLICABLE MUST REMAIN WITHIN DIMENSIONS	

DIMENSION STYLE		SCALE
MM ONLY		---
DRAWN BY	DATE	TITLE
K. SAITO	2007/03/01	0.4 B-TO-B CONN. PLUG ASSY (HGT=2/2.3) WITH NAIL
CHECKED BY	DATE	
K. KASAHARA	2007/03/01	
APPROVED BY	DATE	MOLEX INCORPORATED
N. UKITA	2007/03/01	
MATERIAL NO.	DOCUMENT NO.	
SEE SHEET 1	SD-501745-001	

501745-***0	MODEL NO.
DESIGN UNITS	THIRD ANGLE PROJECTION
METRIC	
MOLEX INCORPORATED	
DOCUMENT NO.	SHEET NO.
SD-501745-001	2 OF 2

NOTES

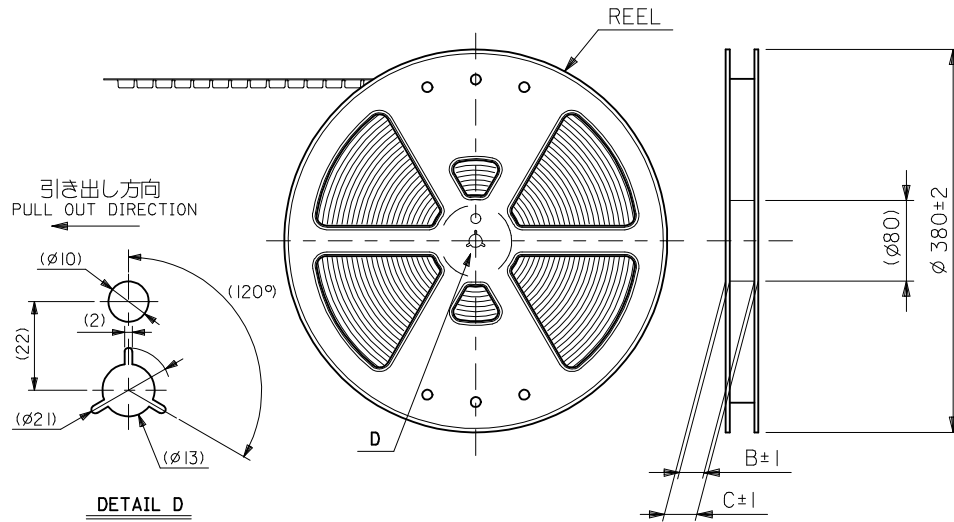
- 製品詳細寸法については製品単体図面を参照下さい。  
RE DETAILED DIMENSION, SEE PRODUCT DRAWING.
- 梱包数量：2500個/リール  
NUMBER OF CONNECTORS : 2500PCS/REEL
- リードテープ長さ LEAD TAPE LENGTH



4. 材料 MATERIAL

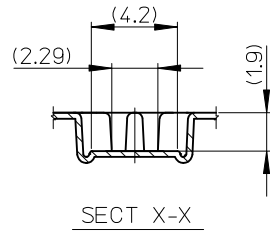
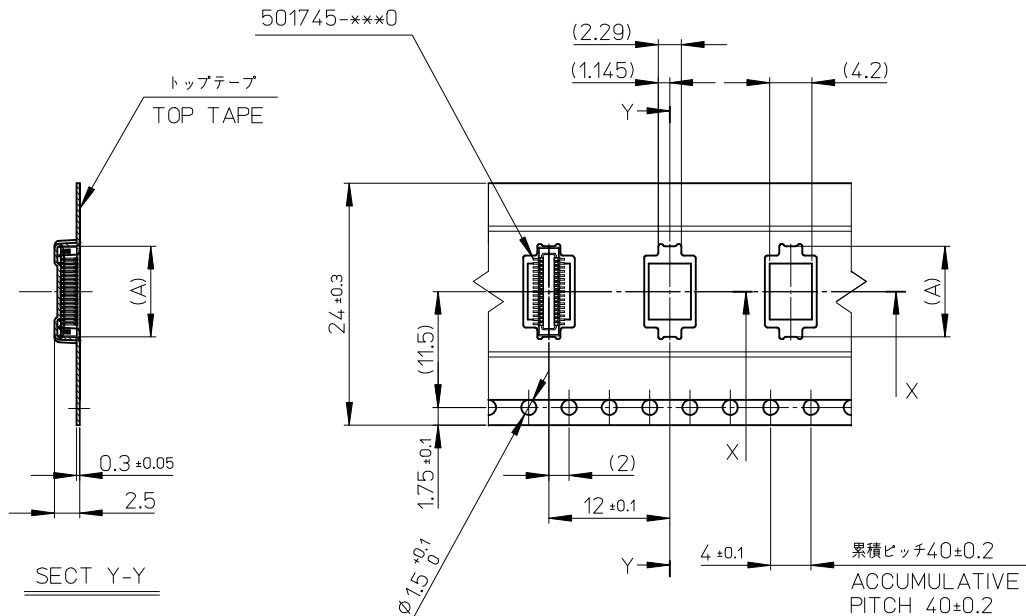
キャリアテープ (CARRIER TAPE) : ポリプロピレン (POLYPROPYLENE)  
 トップテープ (TOPTAPE) : PET , PE , PEF  
 リール (REEL) : ポリスチレン (PS) <リサイクル材を含む>  
 POLYSTYRENE (PS) <RECYCLE MATERIAL CONTAINED>

5. ELV 及び RoHS 適合品  
 ELV AND RoHS COMPLIANT.



REVISED EC NO: J2009-2165 DRW: HAYAJIMA 2008/11/20 CHKD: THARUYAMA 2009/04/01 APPR: THARUYAMA 2009/04/01	GENERAL TOLERANCES (UNLESS SPECIFIED)		DIMENSION STYLE MM ONLY		SCALE ---	501745-***1	MODEL NO.
	10 UNDER ±0.2		DRAWN BY K. SAITO DATE 2007/03/01		TITLE	0.4 B-TO-B CONN. PLUG ASSY (HGT=2/2.3) EMBSTP PKG	
	10 OVER 30 UNDER ±0.25		CHECKED BY K. KASAHARA DATE 2007/03/01			MOLEX INCORPORATED	
	30 OVER ±0.3		APPROVED BY N. UKITA DATE 2007/03/01		MATERIAL NO.	DOCUMENT NO.	SHEET NO.
	ANGULAR ±3 °		SEE TABLE		SD-501745-002		1 OF 3
	DRAFT WHERE APPLICABLE MUST REMAIN WITHIN DIMENSIONS		SIZE A3		THIS DRAWING CONTAINS INFORMATION THAT IS PROPRIETARY TO MOLEX INCORPORATED AND SHOULD NOT BE USED WITHOUT WRITTEN PERMISSION		

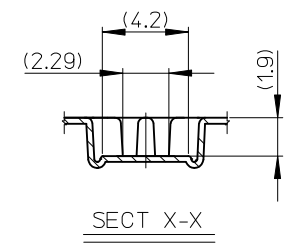
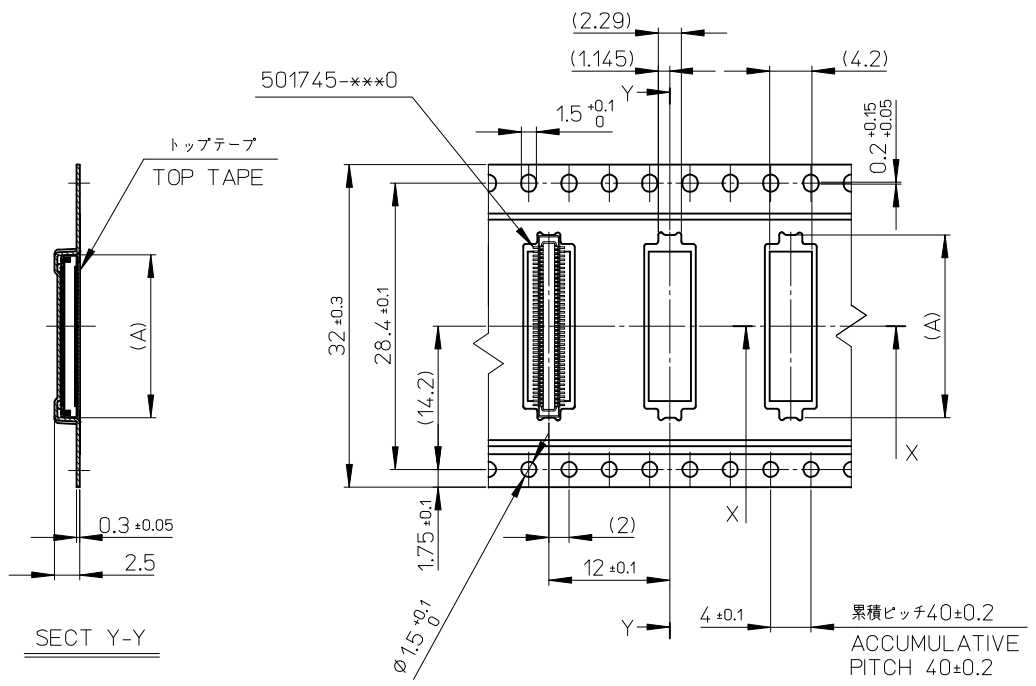
引き出し方向  
PULL OUT  
DIRECTION



24	29.4	25.4	14.16	501745-0601	60
			10.16	501745-0401	40
			8.96	501745-0341	34
キャリアテープ幅 CARRIER TAPE WIDTH	C	B	(A)	MATERIAL NO.	極数 CKT.

REVISED EC NO: J2009-2165 DRWN: HIJIMA 2008/11/20 CHKD: THARUYAMA 2009/04/01 APPR: THARUYAMA 2009/04/01	DESCRIPTION REV	GENERAL TOLERANCES (UNLESS SPECIFIED)		DIMENSION STYLE MM ONLY		SCALE ---		DESIGN UNITS METRIC		MODEL NO. 501745-***1		THIRD ANGLE PROJECTION	
		10 UNDER	±0.2	DRAWN BY K. SAITO	DATE 2007/03/01	TITLE 0.4 B-TO-B CONN. PLUG ASSY (HGT=2/2.3) EMBSTP PKG							
		10 OVER 30 UNDER	±0.25	CHECKED BY K. KASAHARA	DATE 2007/03/01	MOLEX INCORPORATED							
		30 OVER	±0.3	APPROVED BY N. UKITA	DATE 2007/03/01	DOCUMENT NO. SD-501745-002							
ANGULAR ±3 °		DRAFT WHERE APPLICABLE MUST REMAIN WITHIN DIMENSIONS		MATERIAL NO. SEE TABLE		SHEET NO. 2 OF 3		THIS DRAWING CONTAINS INFORMATION THAT IS PROPRIETARY TO MOLEX INCORPORATED AND SHOULD NOT BE USED WITHOUT WRITTEN PERMISSION					

引き出し方向  
PULL OUT  
DIRECTION



32	37.4	33.4	18.16	501745-0801	80
キャリアテープ幅 CARRIER TAPE WIDTH	C	B	(A)	MATERIAL NO.	極数 CKT.

REVISED EC NO: J2009-2165 DRWN: HIJIMA 2008/11/20 CHKD: THARUYAMA 2009/04/01 APPR: THARUYAMA 2009/04/01	DESCRIPTION REV	GENERAL TOLERANCES (UNLESS SPECIFIED)		DIMENSION STYLE MM ONLY		SCALE ---		DESIGN UNITS METRIC		MODEL NO. 501745-***1		THIRD ANGLE PROJECTION	
		10 UNDER	± 0.2	DRAWN BY K. SAITO	DATE 2007/03/01	TITLE 0.4 B-TO-B CONN. PLUG ASSY (HGT=2/2.3) EMBSTP PKG							
		10 OVER 30 UNDER	± 0.25	CHECKED BY K. KASAHARA	DATE 2007/03/01	MOLEX INCORPORATED							
		30 OVER	± 0.3	APPROVED BY N. UKITA	DATE 2007/03/01	DOCUMENT NO. SD-501745-002							
ANGULAR ± 3 °		DRAFT WHERE APPLICABLE MUST REMAIN WITHIN DIMENSIONS		MATERIAL NO. SEE TABLE		SHEET NO. 3 OF 3							
				SIZE A3		THIS DRAWING CONTAINS INFORMATION THAT IS PROPRIETARY TO MOLEX INCORPORATED AND SHOULD NOT BE USED WITHOUT WRITTEN PERMISSION							