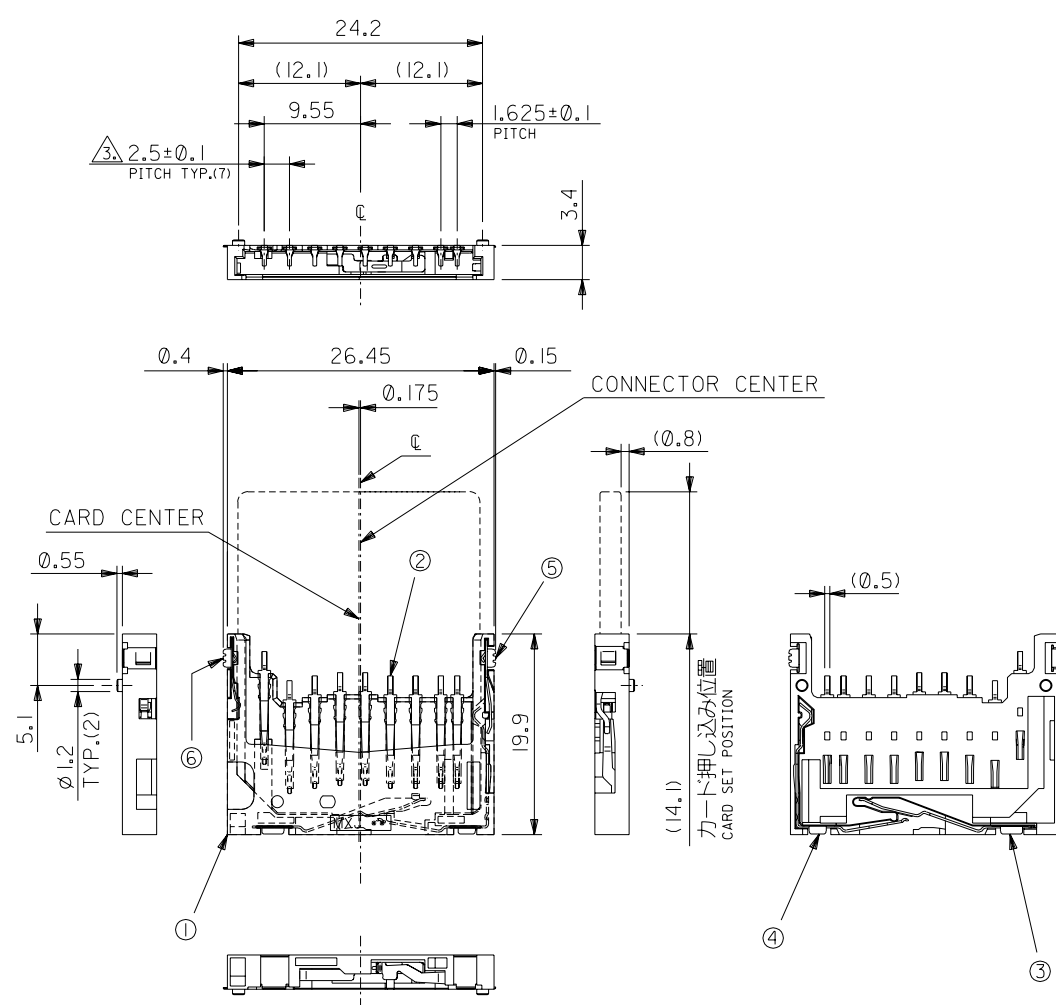


DWG. NO. SD-54965-009

DO NOT SCALE DRAWING

8 7 6 5 4 3 2 1



No.	NAME	QTY	MATERIAL
①	ハウジング HOUSING	1	耐熱樹脂, UL94-V0, 色: 黒 HEAT RESISTANCE POLYMER, UL94-V0, BLACK
②	ターミナル TERMINAL	9	銅合金、接点部: 金メッキ COPPER ALLOY, SELECTIVE GOLD PLATING 半田付け部: 錫メッキ SOLDER TAIL: TIN PLATING 下地: ニッケルメッキ UNDER PLATING: NICKEL PLATING
③	ディテクトターミナル DETECT TERMINAL	1	銅合金、接点部: 金メッキ COPPER ALLOY, SELECTIVE GOLD PLATING 半田付け部: 錫メッキ SOLDER TAIL: TIN PLATING 下地: ニッケルメッキ UNDER PLATING: NICKEL PLATING
④	プロテクト&ディテクトターミナル PROTECT AND DETECT TERMINAL	1	銅合金、接点部: 金メッキ COPPER ALLOY, SELECTIVE GOLD PLATING 半田付け部: 金メッキ SOLDER TAIL: GOLD PLATING
⑤	プロテクトターミナル PROTECT TERMINAL	1	銅合金、接点部: 金メッキ COPPER ALLOY, SELECTIVE GOLD PLATING 半田付け部: 錫メッキ SOLDER TAIL: TIN PLATING 下地: ニッケルメッキ UNDER PLATING: NICKEL PLATING
⑥	ネール NAIL	1	銅合金 COPPER ALLOY 半田付け部: 錫メッキ SOLDER TAIL: TIN PLATING 下地: ニッケルメッキ UNDER PLATING: NICKEL PLATING

NOTES

- ターミナル及びネールの平坦度は 0.1 MAX.
TERMINAL AND COPLANARITY TO BE 0.1 MAX.
- 各スイッチのオープン/クローズ
OPENING/CLOSE OF EACH SWITCH

	プロテクトターミナル PROTECT TERMINAL	ディテクトターミナル DETECT TERMINAL
カード書き込み WRITE PROTECT POSITION	カード書き込み 可能状態 WRITE ENABLE POSITION	
カード未装着状態 CARD NOT INSERTED	オープン OPEN	オープン OPEN
カード装着 CARD INSERTION	オープン OPEN	クローズ CLOSE

△ 公差非累積
NON-CUMULATIVE

4. 本製品は 54965-0911 の鉛フリー品である。
THIS PRODUCT IS LEAD FREE OF 54965-0911

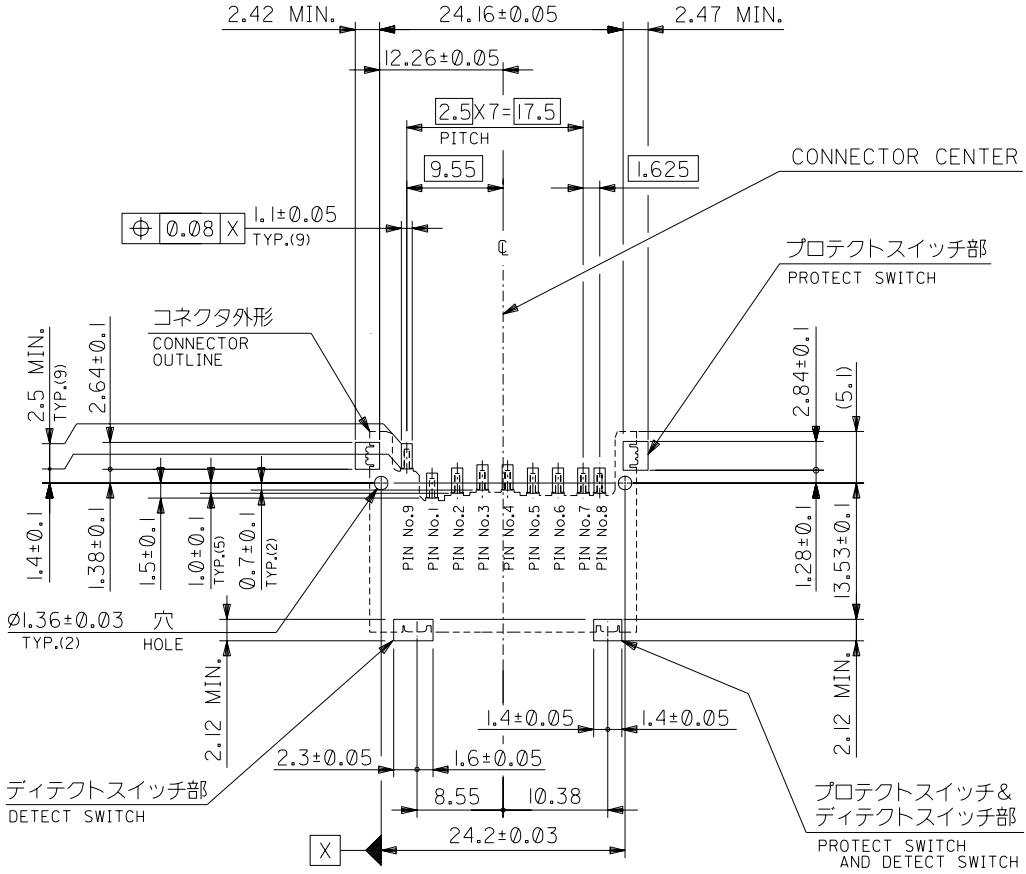
MATERIAL No.	54965-0971	54965-0916
PACKAGING FORM	EMBOSSED TAPE	TRAY

54965-**16	MODEL NO.	DIMENSIONS:	SHT	REV
SCALE	DESIGN UNITS	THIRD ANGLE PROJECTION	<input type="checkbox"/> mm <input type="checkbox"/> INCH	<input type="checkbox"/> mm ONLY
<input checked="" type="checkbox"/> mm <input type="checkbox"/> INCH	<input type="checkbox"/> mm <input type="checkbox"/> INCH			

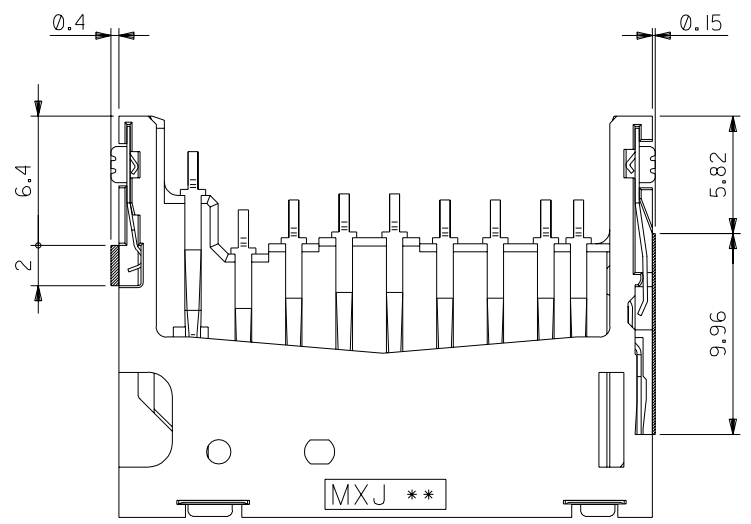
EC NO.	DRWN:	CH'K:	APPR:	EC NO.	DRWN:	CH'K:	APPR:	EC NO.	DRWN:	CH'K:	APPR:	EC NO.	DRWN:	CH'K:	APPR:	DESCRIPTION	MATERIAL 材料	FINISH 仕上げ	WIRE RANGE 適用電線範囲	INS. RANGE 被覆外径
																新規格品 RELEASED	表参照 SEE CHART			
																EC NO. J2004-2434	表参照 SEE CHART			
																DRWN: H. SHIMABUKURO '04/2/16				
																CH'K: K. TOJO '04/2/16				
																APPR: M. SASAO '04/2/16				

GENERAL TOLERANCES: (UNLESS SPECIFIED) 一般公差	10 UNDER 未満	±0.2	10 OVER 以上	30 UNDER 未満	±0.25	30 OVER 以上	±0.3	ANGLE 角度	±3°
DRAWN BY & DATE	H. SHIMABUKURO '04/2/16		CHECKED BY & DATE	K. TOJO '04/2/16		APPROVED BY & DATE	M. SASAO '04/2/16		
TITLE:			SD CARD CONN. ASS'Y (NORMAL TYPE) -LEAD FREE-						
MATERIAL NO.			DRAWING NO.			SHEET NO.			
SEE CHART			SD-54965-009			1 OF 2			
THIS DRAWING CONTAINS INFORMATION THAT IS PROPRIETARY TO MOLEX INCORPORATED AND SHOULD NOT BE USED WITHOUT WRITTEN PERMISSION.									
									SIZE B

DWG. NO. SD-54965-009



推奨基板寸法
RECOMMENDED P.C.BOARD PATTERN LAYOUT



SCALE : 4-1

部品実装禁止エリア
AREA OF PARTS MOUNTING POSITION

DO NOT SCALE DRAWING

EC NO. DRWN: CHK: APPR:	EC NO. DRWN: CHK: APPR:	EC NO. DRWN: CHK: APPR:	EC NO. DRWN: CHK: APPR:	EC NO. DRWN: CHK: APPR:	SEE SHEET 1 OF 2	EC NO. DRWN: CHK: APPR:	MATERIAL 材料	FINISH 仕上げ	WIRE RANGE 適用電線範囲	INS. RANGE 被覆外径

GENERAL TOLERANCES: (UNLESS SPECIFIED) 一般公差	SCALE	DESIGN UNITS	THIRD ANGLE PROJECTION
10 UNDER 未満	—	mm INCH	☉
10 OVER 30 UNDER 未満	±0.2	☒ mm ☐ INCH	☒
30 OVER 以上	±0.25		
	±0.3		
ANGLE 角度	±3°		

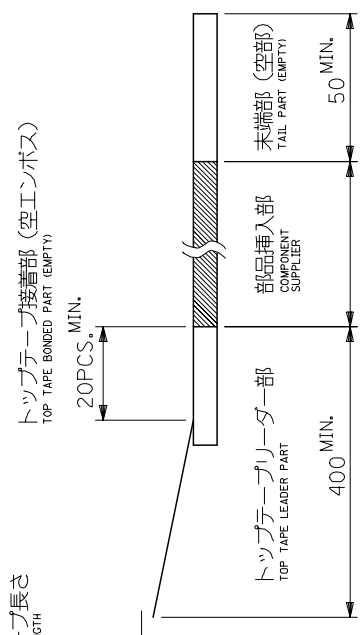
DRAWN BY & DATE H.SHIMABUKURO '04/2/16	TITLE: SD CARD CONN. ASS'Y (NORMAL TYPE) -LEAD FREE-
CHECKED BY & DATE K.TOJO '04/2/16	
APPROVED BY & DATE M. Saito '04/2/16	
CAD FILENAME SD-54965-009.S02	

54965-**-16	MODEL NO.
DIMENSIONS:	SHT REV
☐ mm INCH ☐ INCH mm ☒ mm ONLY	REVISE ON CAD ONLY
MOLEX INCORPORATED	
MATERIAL NO. SEE SHEET	DRAWING NO. SD-54965-009
SHEET NO. 2 OF 2	SIZE B

THIS DRAWING CONTAINS INFORMATION THAT IS PROPRIETARY TO MOLEX INCORPORATED AND SHOULD NOT BE USED WITHOUT WRITTEN PERMISSION.

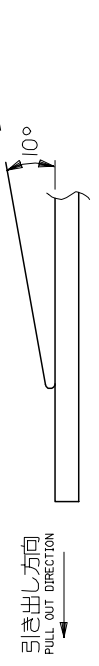
注) NOTES

- 製品番号 54965-0916 の詳細寸法については、SD 図面を参照下さい。
IN THE PACKAGE, PART NO. 54965-0916 DETAILED DIMENSIONS, SEE SALES DRAWING.
- 梱包数量 : 400 個/リール
NUMBER OF CONNECTORS : 400 PCS/REEL
- リードテープ長さ
LEAD TAPE LENGTH



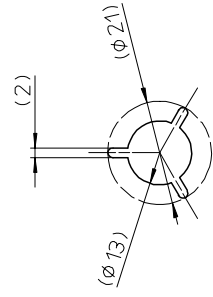
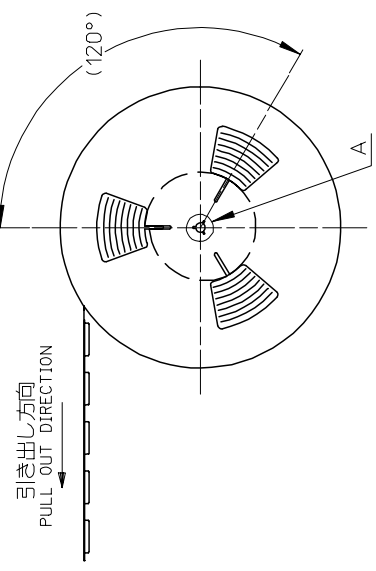
- トップテープの剥離強度: (剥離方向は下図参照)
PEELING OFF FORCE OF TOP TAPE (PEELING DIRECTION AS SHOWN IN FOLLOWING FIG.)
0. 1~1. 3N {10~130gf} : キャリアテープ幅 4.4mm
CARRIER TAPE WIDTH 4.4mm

尚、本規格値は、出荷時に適用。
THIS REQUIREMENT SHOULD BE APPLIED AT SHIPMENT
(但し、輸送時に剥離が発生しない事。)
(PEEL OFF SHOULD NOT BE ALLOWED DURING TRANSPORTATION)



- 材料
MATERIAL
キャリアテープ : ポリプロピレン (PP)
CARRIER TAPE : POLYPROPYLENE (PP)
トップテープ : PET, PE, PEF
TOP TAPE : PET, PE, PEF
リール : 紙
REEL : CARDBOARD

6. 本製品は 54965-0918 の鉛フリー品である。
THIS PRODUCT IS LEAD FREE OF 54965-0918



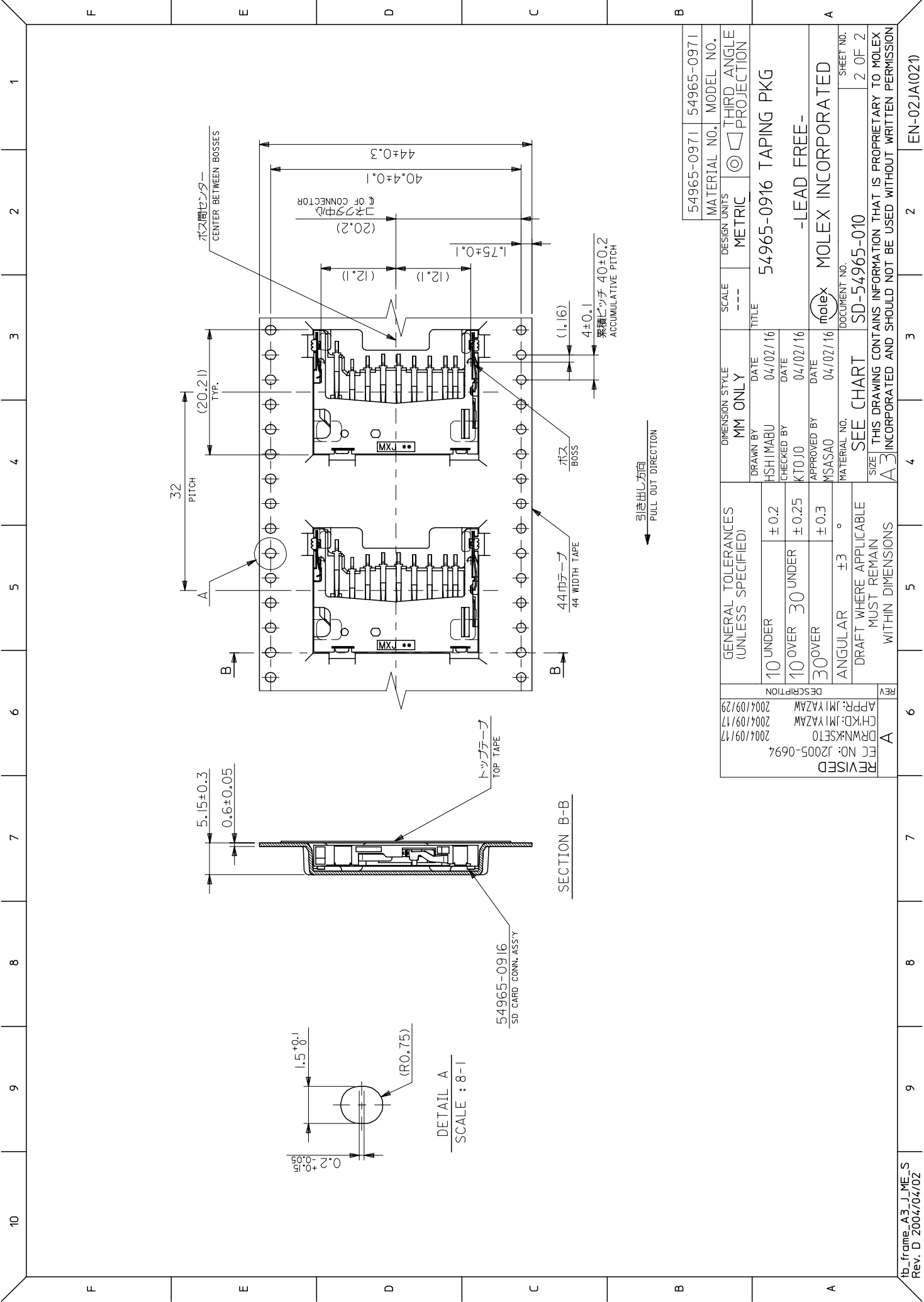
DETAIL A
SCALE 1:1

REVISION	
REV	DESCRIPTION
A	REVISED EC NO: J2005-0694 DRW/KSETO 2004/09/17 CHKD: JM1 YAZAWA 2004/09/17 APP: JM1 YAZAWA 2004/09/29

GENERAL TOLERANCES (UNLESS SPECIFIED)		
10 UNDER	± 0.2	
10 OVER	30 UNDER	± 0.25
30 OVER	± 0.3	
ANGULAR	± 3 °	
DRAFT WHERE APPLICABLE MUST REMAIN WITHIN DIMENSIONS		

DIMENSION STYLE	
MM ONLY	DATE
DRAWN BY	HSHIMABUKURO
CHECKED BY	KITOJO
APPROVED BY	MSASAO
MATERIAL NO.	04/02/16
DATE	04/02/16
SEE CHART	SD-54965-010
THIS DRAWING CONTAINS INFORMATION THAT IS PROPRIETARY TO MOLEX INCORPORATED AND SHOULD NOT BE USED WITHOUT WRITTEN PERMISSION	

54965-0916	54965-0971
MATERIAL NO.	MODEL NO.
METRIC	THIRD ANGLE PROJECTION
54965-0916 TAPING PKG	
-LEAD FREE-	
MOLEX INCORPORATED	
SHEET NO.	1 OF 2



54965-0971	54965-0971	MATERIAL NO.	54965-0971	MODEL NO.	54965-0971
DESIGN UNITS		METRIC	THIRD ANGLE PROJECTION		
SCALE		---	TITLE		
DIMENSION STYLE		MM ONLY	54965-0916 TAPING PKG		
DRAWN BY		HSHIMABU	DATE 04/02/16		
CHECKED BY		KITOJO	DATE 04/02/16		
APPROVED BY		MSASAO	DATE 04/02/16		
MATERIAL NO.		SD-54965-010	DOCUMENT NO.		
GENERAL TOLERANCES (UNLESS SPECIFIED)		10 UNDER ±0.2	MOLEX INCORPORATED		
		10 OVER 30 UNDER ±0.25	SHEET NO. 2 OF 2		
		30 OVER ±0.3	-LEAD FREE-		
ANGULAR ±3°		DRAWING INFORMATION THAT IS PROPRIETARY TO MOLEX INCORPORATED AND SHOULD NOT BE USED WITHOUT WRITTEN PERMISSION			

REVISED	EC NO: J2005-0694	DRWN:KSETO	2004/09/17
A	CH'D:JM YAZAW	2004/09/17	
	APP:JM YAZAW	2004/09/29	

54965-0916	SD CARD CONN. ASSY
DETAIL A	
SCALE : 8-1	
SECTION B-B	
PULL OUT DIRECTION	
54965-0916	
SD CARD CONN. ASSY	
DETAIL A	
SCALE : 8-1	
SECTION B-B	
PULL OUT DIRECTION	
54965-0916	
SD CARD CONN. ASSY	