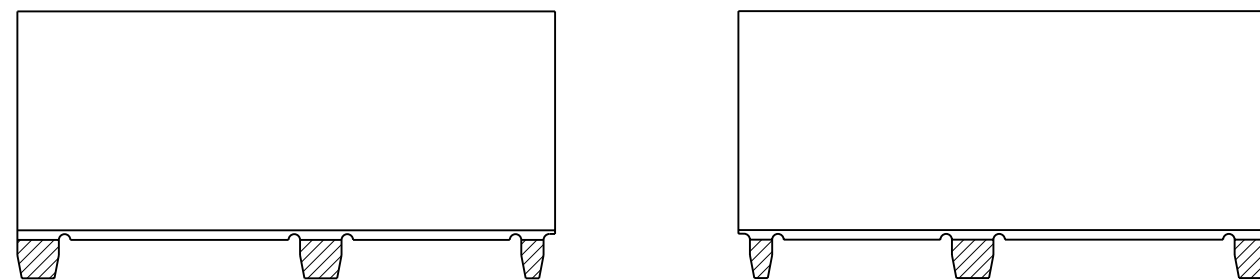
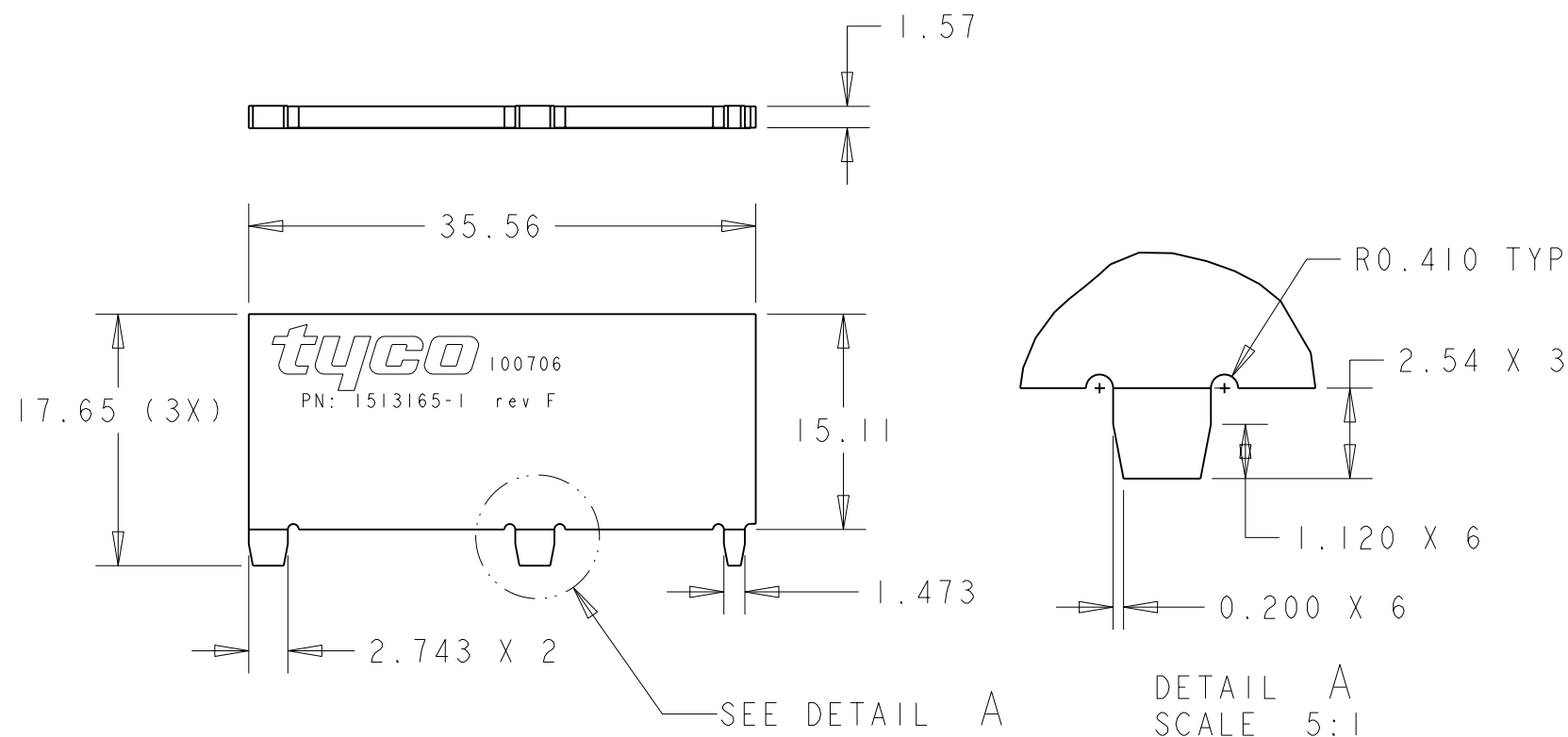


LOC	DIST
HQ	00

REVISIONS					
P	LTR	DESCRIPTION	DATE	DWN	APVD
	C	Modify part markings, notes	30JUL2003	MAH	MAH
	D	Reference views added	21APR2004	MAH	MAH
	E	Conversion to lead free	04NOV2005	MAH	MAH
	F	Dimension clarification	24MAR2006	DJL	MAH

NOTES: UNLESS OTHERWISE SPECIFIED.

- Fabricate to meet IPC-6012, class 2. inspect to meet IPC-A-600, class 2.
- Primary side (layer) shown.
- Material: Getek 8 ply (7628) 1.49 thk. P/N RG200D 1/2oz. copper, both sides. Dielectric constant @ 1MHz 4.2±0.1.
- Plating to be 1/2 oz. copper.
- Finish:
  - A: Solder mask over bare copper. (SMOBC).
  - B: Mask both sides of PCB with LPI soldermask, soldermask color: natural green.
  - C: Immersion tin or immersion gold finish. As specified on P.O.
- Total board thickness: 1.57 ± .127.
- A: Silkscreen to be white epoxy ink.  
 B: Silkscreen vendor logo layer 2. Do not etch.  
 C: UL code, vendor date code and all other vendor marking must be silkscreened only (layer 2) no added etch allowed.
- Trace width to be: exact dimension as artwork. Tol. ± .025. Vendor to compensate for over/under etch factor.
- Layer to layer registration to be ±.127.
- Dimensions are in millimeters.
- Drawing reference gerber file : 100706revF\_gbr.zip for PCB manufacture.
- Parts must be singulated by routing.
- Parts are compliant to RoHS standards.



SOLDERPAD LAYOUT REFERENCE ONLY

THIS INFORMATION IS CONFIDENTIAL AND PROPRIETARY

<small>THIS DRAWING IS A CONTROLLED DOCUMENT FOR TYCO ELECTRONICS CORPORATION IT IS SUBJECT TO CHANGE AND THE CONTROLLING ENGINEERING ORGANIZATION SHOULD BE CONTACTED FOR THE LATEST REVISION.</small>		DWN	24MAR2006			Tyco Electronics		
DIMENSIONS: mm		CHK	-			Rochester, NY 14623		
		APVD	-		NAME			
TOLERANCES UNLESS OTHERWISE SPECIFIED: 0 PLC ±2.54 1 PLC ±1.27 2 PLC ±0.25 3 PLC ±0.127 4 PLC ± ANGLES ±0.5°		PRODUCT SPEC	-		World GSM Antenna Fabrication Drawing			
MATERIAL -		APPLICATION SPEC	-		SIZE	CAGE CODE	DRAWING NO	RESTRICTED TO
FINISH -		WEIGHT	-		A3	00779	1513165	-
CUSTOMER DRAWING					SCALE	2:1	SHEET	1 OF 1
					REV	F		