



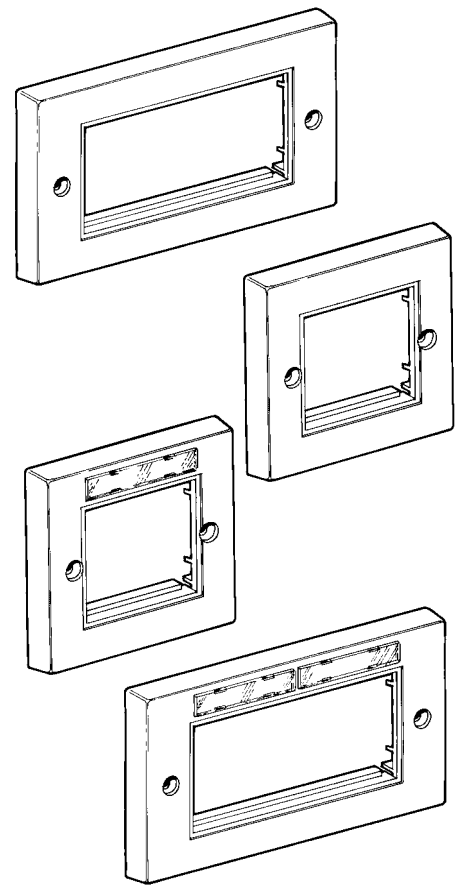
Features and Benefits

The Euromod system of wallplates provides a flexible and versatile method of installation. This modular system offers a wide range of wallplates and modules that allows the user to install as many or as few data or voice outlets as required. The system caters for small and large systems alike.

The Euromod Single and Double gang wallplate system is the basis of this modular approach. The single gang wallplate has a 50 x 50mm aperture and the double gang a 50 x 100mm aperture, which accepts two (*single gang*) or four (*double gang*) of the Euromod range of data, voice or blank modules (*modules have a 25 x 50mm fascia size*).

The polished face of these wallplates offers a quality finish, ideal for office installations and the styling complements most UK style electrical power outlets.

- 50 x 50mm aperture size (single gang)
- 50 x 100mm aperture size (double gang)
- Available with or without labelling facility
- Fixing screws provided
- Quality polished finish
- Accepted by all UK backboxes



Order No.	Description
17-0101-02	Single Gang Wallplate (No Labelling Facility)
17-0102-02	Double Gang Wallplate (No Labelling Facility)
17-0111-02	Single Gang Wallplate (With Labelling Facility)
17-0112-02	Double Gang Wallplate (With Labelling Facility)

Ancillary Products

Order No.	Description
17-0414-02	Full Blank Module 50 x 50mm
17-0413-02	Half Blank Module 25 x 50mm
17-0413-02	Quarter Blank 12.5 x 50mm

For details of Euromod data & voice modules, Euromod Single & Double Gang UK Backboxes contact Customer Services.

Molex Premise Networks standard colour is white. Other colours are available, subject to minimum order quantities - contact Customer Services.

MOLEX PREMISE NETWORKS

Molex Premise Networks
Corporate Headquarters
Tel: 603 324 0200
www.molexpn.com

Western Europe Headquarters
Tel: 44 (0) 1489 572111
www.molexpn.co.uk

Eastern Europe Headquarters
Tel: 48 22 36 92 51
www.molexpn.com.pl

Asia Headquarters
Tel: 852 2637 3759
www.molexpn.com.hk

South Pacific Headquarters
Tel: 61 3 9747 8322
www.molexpn.com.au

Molex Incorporated
Tel: 630 969 4550
www.molex.com