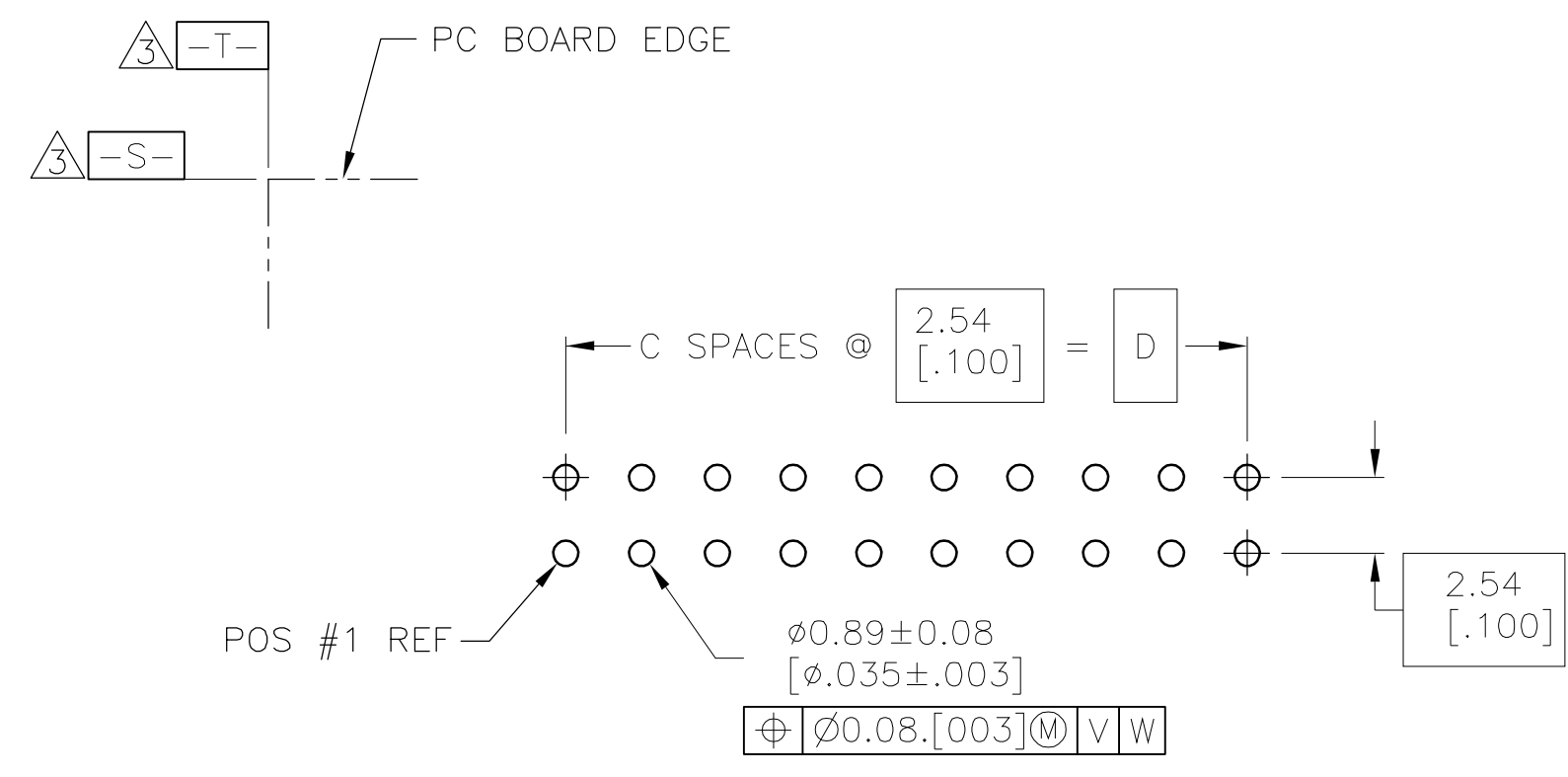
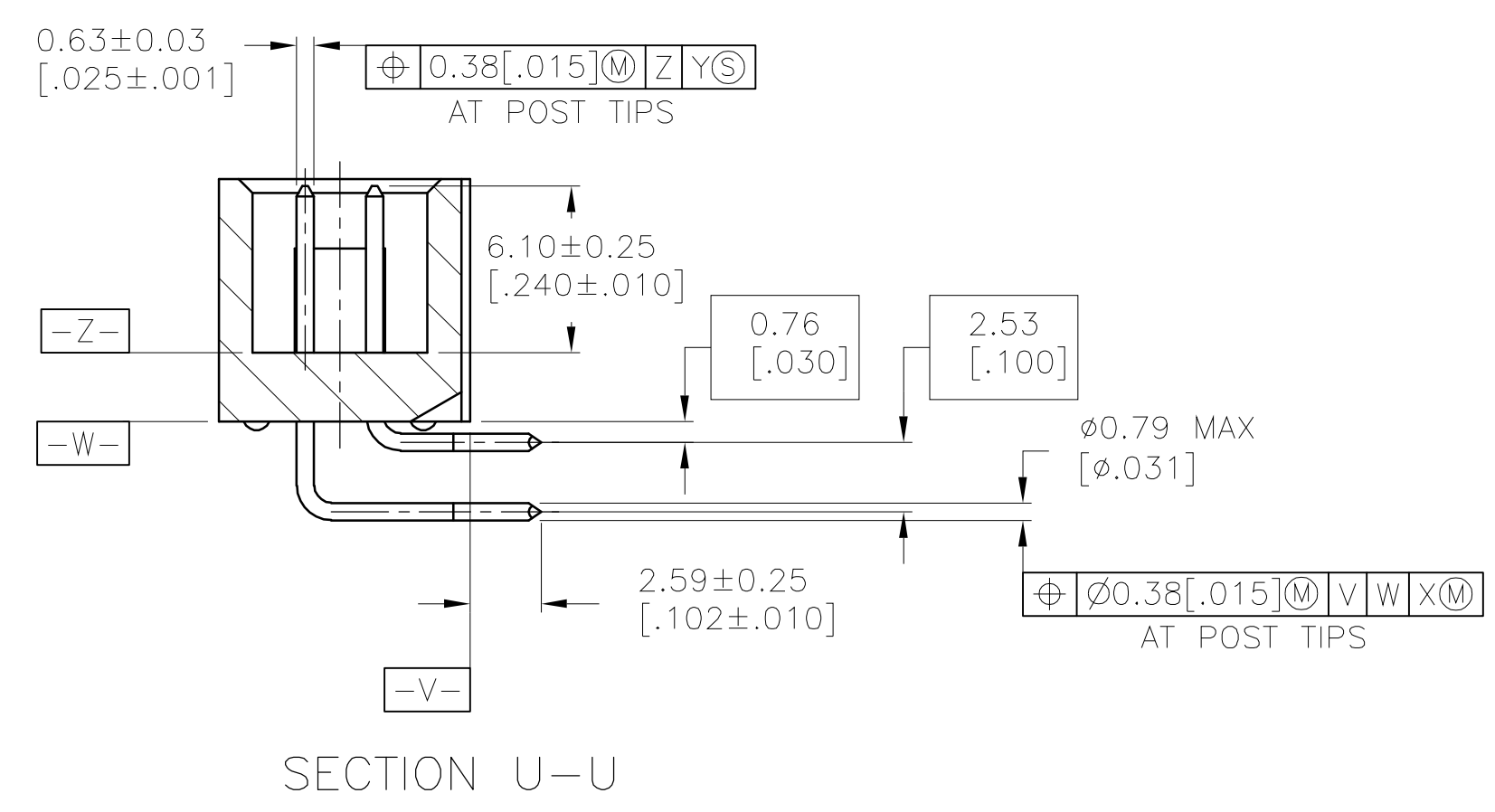
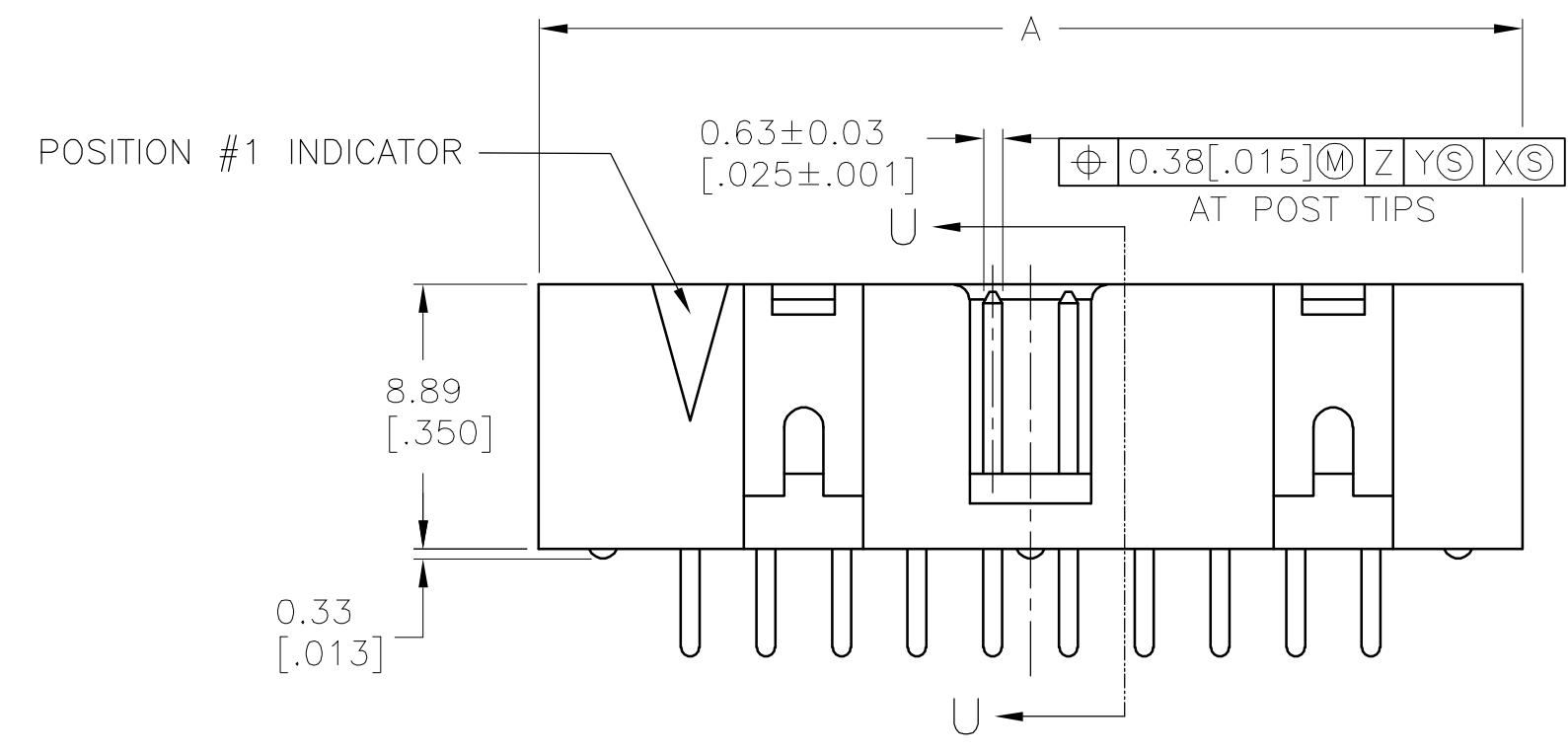


- 1 HOUSING: PBT, UL94V-0, COLOR: BLACK.
POSTS: PHOSPHOR BRONZE.
- 2 POSTS: 0.00038[.000015] MIN GOLD ON MATING AREA, 0.00254[.000100] MIN TIN ON SOLDER END, ALL OVER 0.00127[.000050] MIN NICKEL ON ENTIRE POST.
- 3 DATUMS S & T TO BE ESTABLISHED BY CUSTOMER.
- 4 NO KEYING SLOT ON THIS END FOR 10 & 14 POSITION ASSEMBLIES.
- 5 NO KEYING SLOT ON THIS END FOR 10 POSITION ASSEMBLY.



RECOMMENDED PC BOARD LAYOUT
(VIEWED FROM CONNECTOR SIDE)

73.66 [2.900]	29	81.28 [3.200]	83.82 [3.300]	60	1-1761604-6
60.96 [2.400]	24	68.58 [2.700]	71.12 [2.800]	50	1-1761604-5
48.26 [1.900]	19	55.88 [2.200]	58.42 [2.300]	40	1-1761604-3
40.64 [1.600]	16	48.26 [1.900]	50.80 [2.000]	34	1-1761604-1
30.48 [1.200]	12	38.10 [1.500]	40.64 [1.600]	26	1761604-9
22.86 [0.900]	9	30.48 [1.200]	33.02 [1.300]	20	1761604-7
17.78 [0.700]	7	25.40 [1.000]	27.94 [1.100]	16	1761604-6
15.24 [0.600]	6	22.86 [0.900]	25.40 [1.000]	14	1761604-5
10.16 [0.400]	4	17.78 [0.700]	20.32 [0.800]	10	1761604-3
D	C	B	A	NO OF POS	PART NUMBER

**COPYRIGHT 2005
 TYCO ELECTRONICS CORP
 ALL RIGHTS RESERVED**

THIS DRAWING IS A CONTROLLED DOCUMENT.

DW	ECRISAMORE	30JUN05		Tyco Electronics Corporation	
CHK	S.BOLASH	30JUN05		Harrisburg, Pa 17105	
APPD	M.WALMSLEY	30JUN05	NAME	HEADER ASSEMBLY, RIGHT ANGLE, LOW PROFILE, IDC	
PRODUCT SPEC			SIZE	CAGE CODE	DRAWING NO
APPLICATION SPEC			A1	00779	1761604
MATERIAL			WEIGHT		
FINISH			CUSTOMER DRAWING	SCALE 4:1	SHEET 1 OF 1