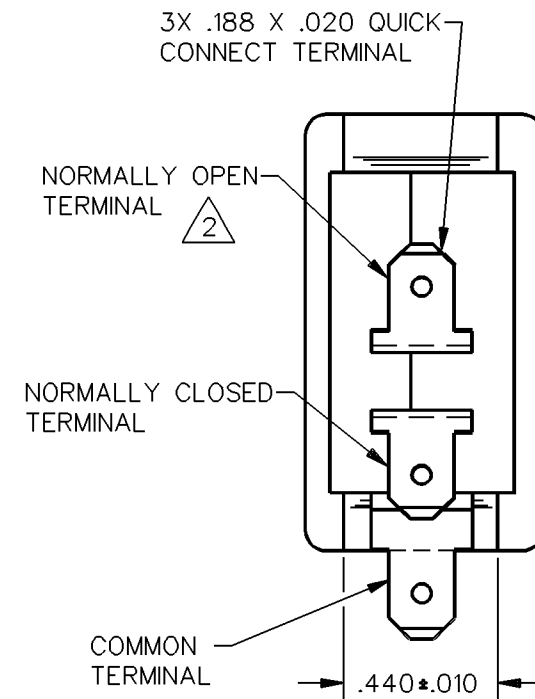
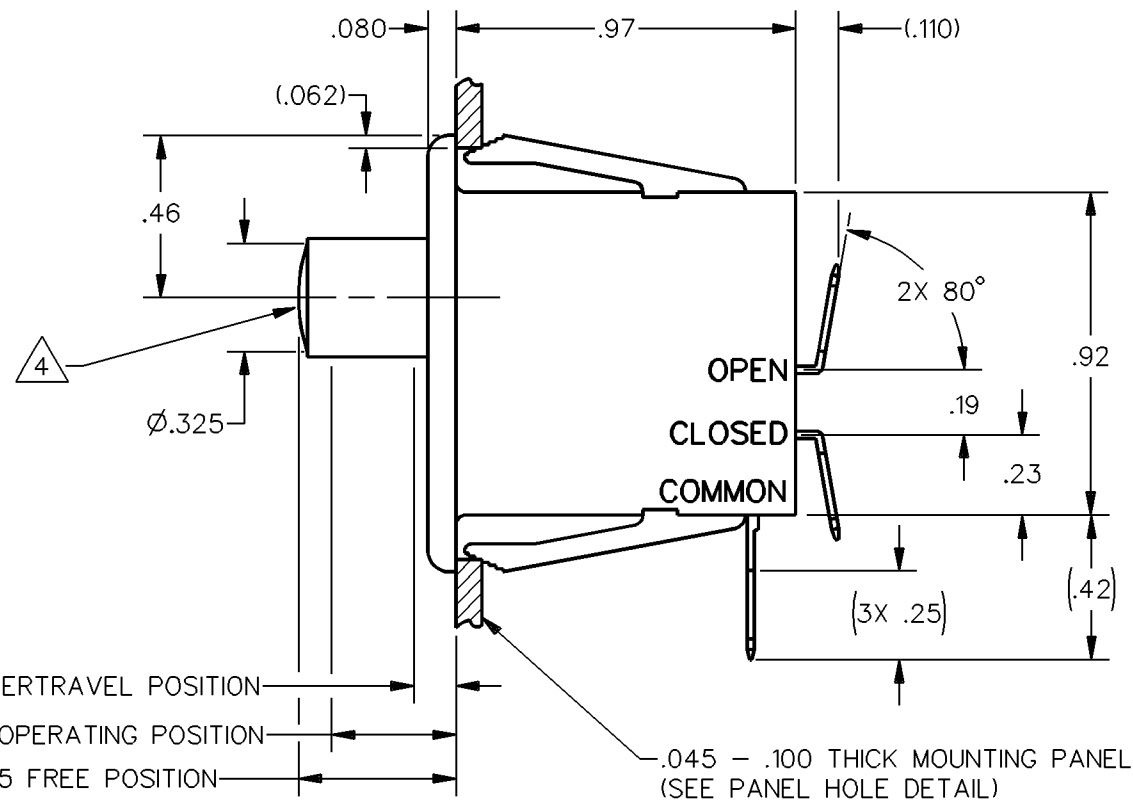
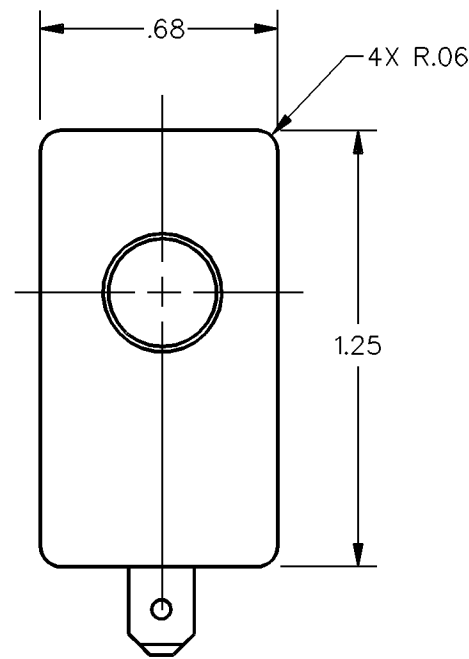
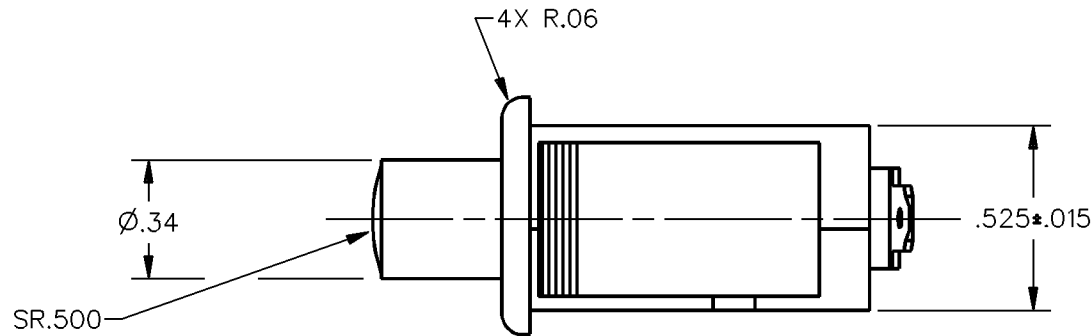
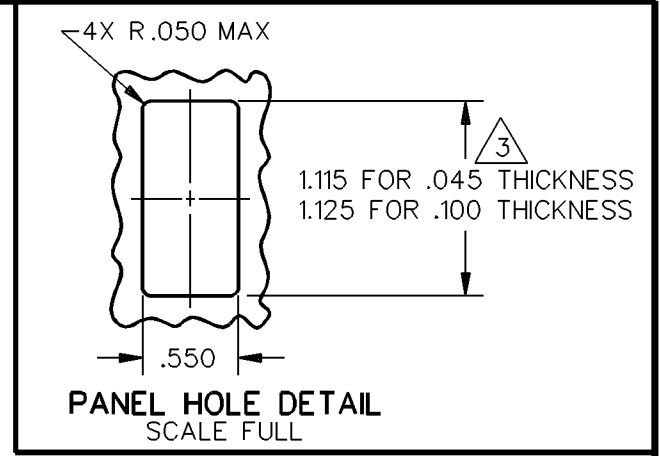


MICRO SWITCH
a Honeywell Division
FED. MFG. CODE 91929

SWITCH - BASIC

CATALOG LISTING
1DM21



CATALOG LISTING 1DM21
REPLACES RELEASE NO. SR-11089
ISSUE 6
CHECK
REVISIONS
A CO-72328
DHD
14 JUL 92
CHECK
DRAWN DHD
14 JUL 92
CHECK
DDM/CAD

THIS DRAWING COVERS A PROPRIETARY ITEM AND IS THE PROPERTY OF MICRO SWITCH, A DIVISION OF HONEYWELL. THIS DRAWING IS NOT TO BE COPIED OR USED WITHOUT THE APPROVAL OF MICRO SWITCH

THIRD ANGLE PROJECTION

SCALE 2 TO 1
DO NOT SCALE PRINT
UNLESS OTHERWISE SPECIFIED TOLERANCES ARE
ONE PLACE (.0) ±.030
TWO PLACE (.00) ±.015
THREE PLACE (.000) ±.005
ANGLES ± 5°
WEIGHT

CHARACTERISTICS	ELECTRICAL DATA
OPERATING FORCE - - - - - 15 OZ MAX	CONTACT ARRANGEMENT S P D T
RELEASE FORCE - - - - - 3 OZ MIN	L181
DIFFERENTIAL TRAVEL - - .045 APPROX	10A 1/2HP 125, 250 OR 277 VAC
OVERTRAVEL - - - - - .235 MIN	
PLUNGER FORCE AT .375 OVERTRAVEL 21 OZ MAX	

- NOTES
1 - WHITE PLASTIC CASE AND PLUNGER
2 FLAG STYLE QUICK CONNECT RECEPTACLE REQUIRED FOR NORMALLY OPEN TERMINAL IF SWITCH IS WIRED BEFORE MOUNTING
3 NOMINAL CUTOUT DIMENSION FOR PANELS BETWEEN .045 AND .100 SHOULD BE INTERPOLATED BETWEEN 1.115 AND 1.125
4 PUSH TO OPERATE - MOMENTARY



ANSI Y14.5M-1982 APPLIES