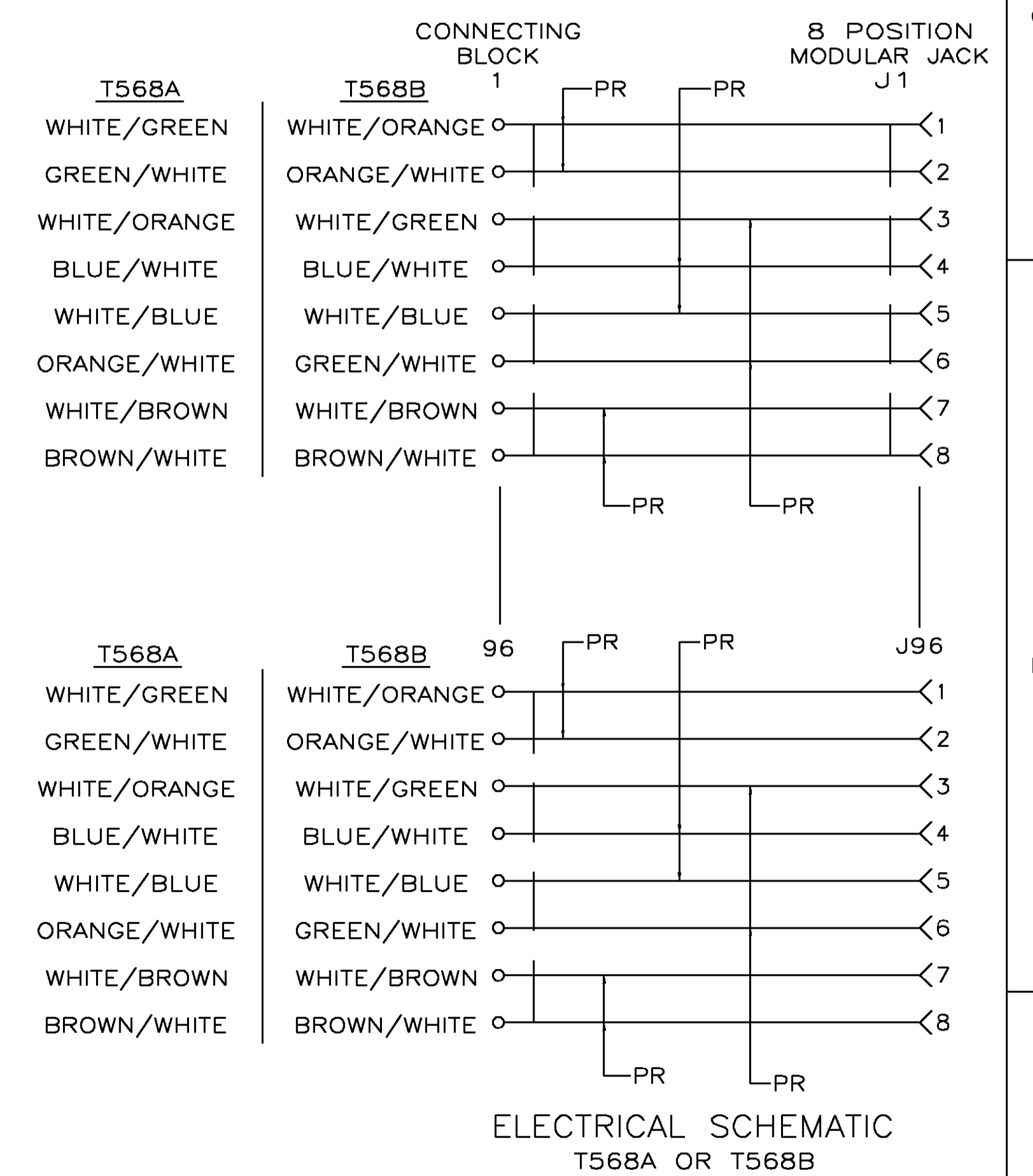
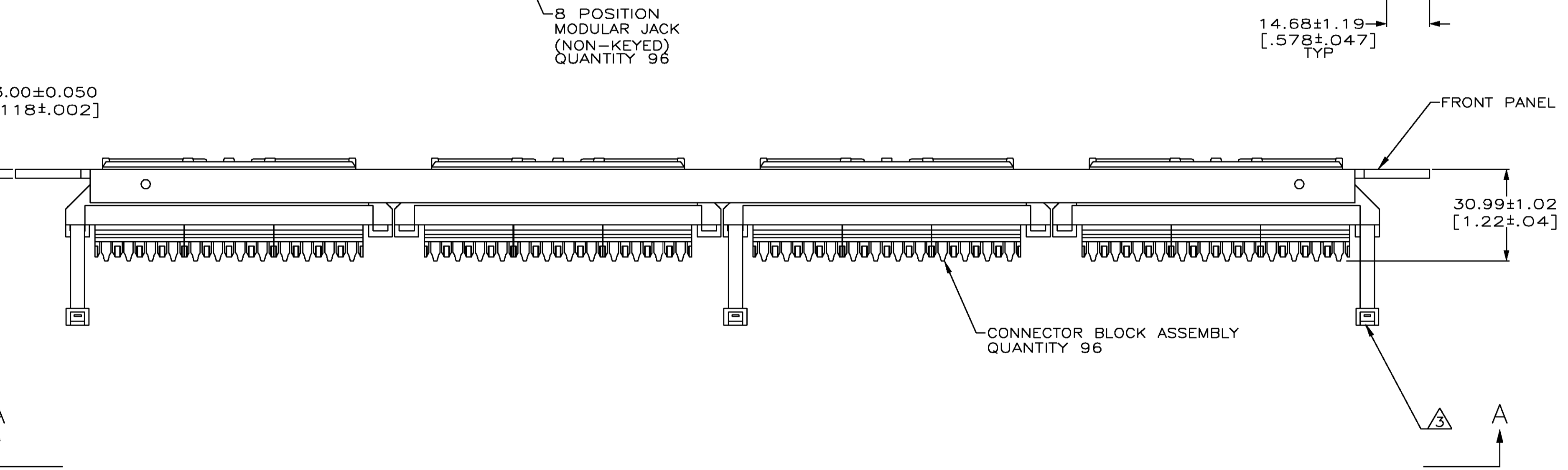
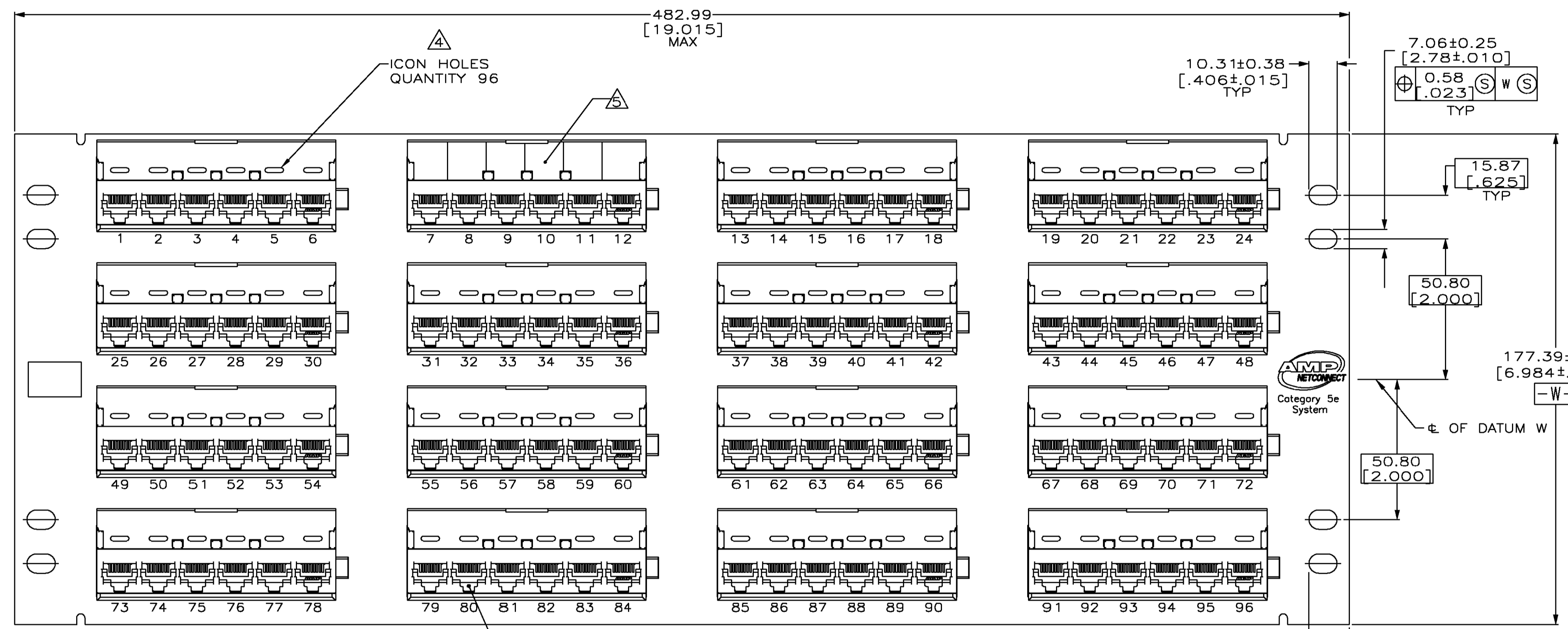


THIS DRAWING IS UNPUBLISHED. RELEASED FOR PUBLICATION
 © COPYRIGHT BY TYCO ELECTRONICS CORPORATION. ALL RIGHTS RESERVED.

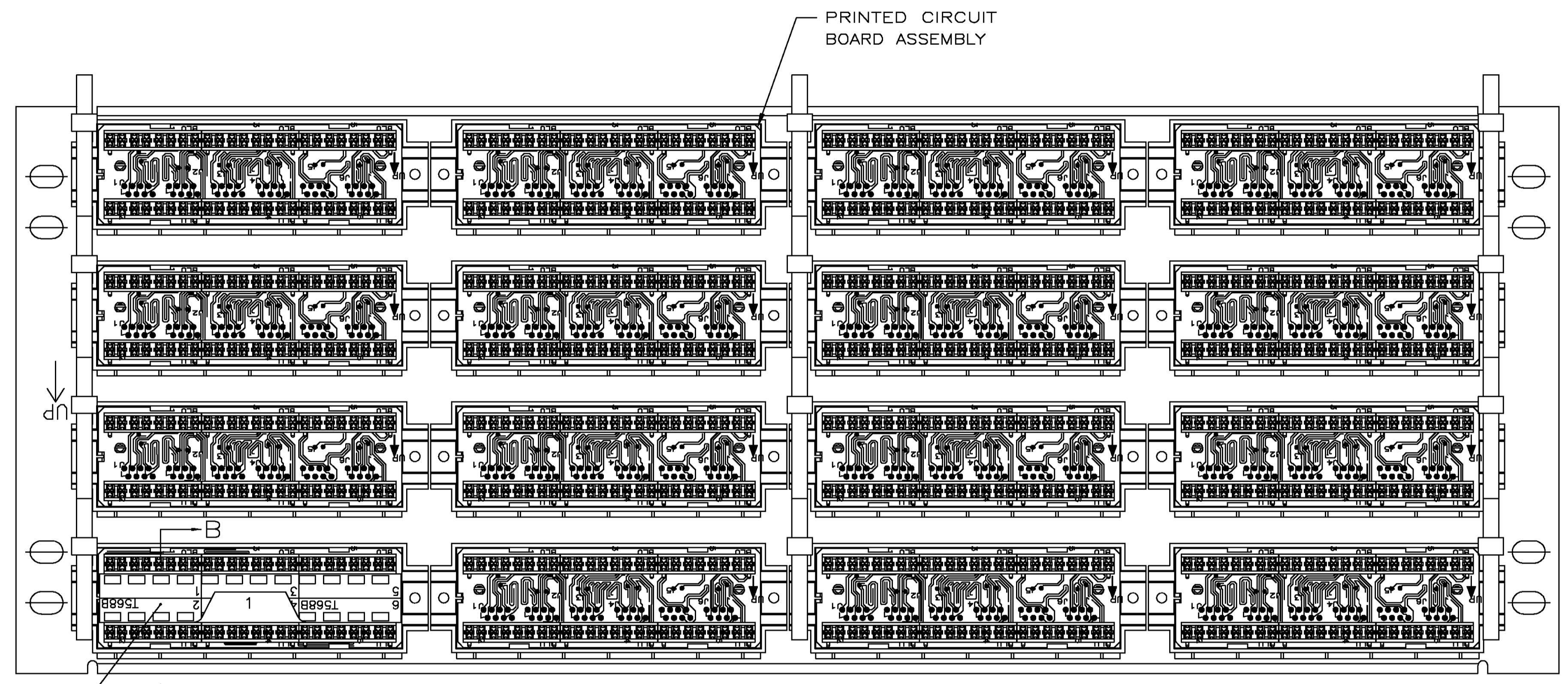
LOC		DST		REVISIONS					
AA		28		#	LR	DESCRIPTION	DATE	DRN	APRD
				D		REDWN & REV; EC 0840-0178-00	14AUG00	LH	SH

- △ MATERIAL: PANEL - BLACK POWDER COAT ALUMINUM WITH WHITE MARKINGS.
PRINTED CIRCUIT BOARD - LAMINATED PLASTIC SUBSTRATE, 1.57[.062] THICK.
- 2. FOUR BLACK 12-24 X 12.7[.500] LONG AND FOUR 10-32 X 12.7[.500] LONG CARBON STEEL CROSS RECESSED SCREWS FOR MOUNTING OF PANEL SHIPPED LOOSE. NOT SHOWN ON DRAWING.
- △ TWELVE RELEASEABLE CABLE TIES, SHOWN ASSEMBLED, USED FOR CABLE ORGANIZATION/ROUTING ARE SHIPPED LOOSE.
- △ ICONS MAY BE PURCHASED SEPARATELY.
- △ ONE SHEET OF BEZEL LABELS AND FOUR SHEETS OF CLEAR LABEL COVERS ARE SHIPPED LOOSE. ONE LABEL SHOWN INSTALLED AT LOCATION INDICATED.
- △ FOUR SHEETS OF FOUR 110 CONNECTOR UNIVERSAL WIRING LABELS ARE SHIPPED LOOSE. ONE SIDE IS FOR T568A WIRING AND THE OPPOSITE SIDE FOR T568B WIRING. ONE LABEL SHOWN INSTALLED AT LOCATION INDICATED.

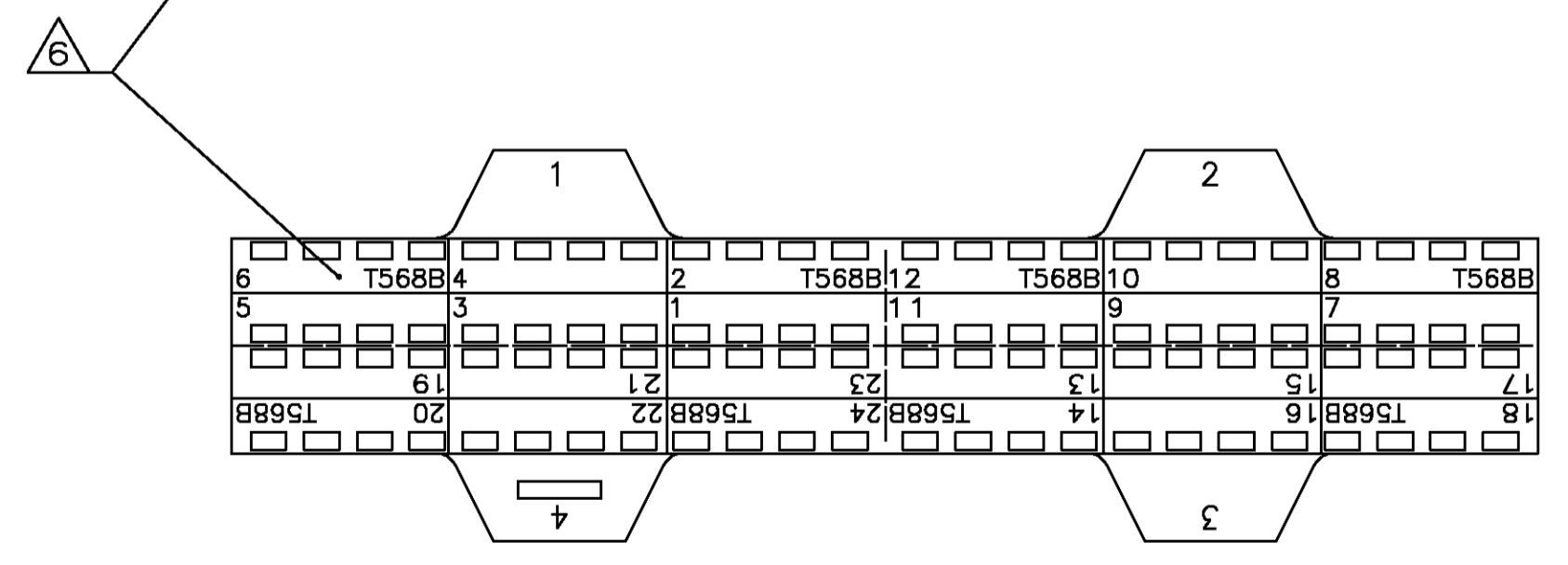


THIS DRAWING IS A CONTROLLED DOCUMENT.		DRN	L. HALL	14AUG00	Tyco Electronics Corporation Harrisburg, PA 17105
DIMENSIONS: MM (INCHES)		CHK	S. HERNDON	14AUG00	
TOLERANCES UNLESS OTHERWISE SPECIFIED:		APRD	S. HERNDON	14AUG00	NAME
0 PLC	±	PRODUCT SPEC		PANEL ASSEMBLY, 96 PORT, RJ45, UNIVERSAL WIRING, CATEGORY 5, ENHANCED	
1 PLC	±	APPLICATION SPEC		SIZE	A1
2 PLC	±	WEIGHT		CAGE CODE	00779
3 PLC	±	CUSTOMER DRAWING		DRAWING NO	406332
4 PLC	±	SCALE		1:1	SHEET 1 OF 2
ANGLES	±	RESTRICTED TO		D	
FINISH	±				

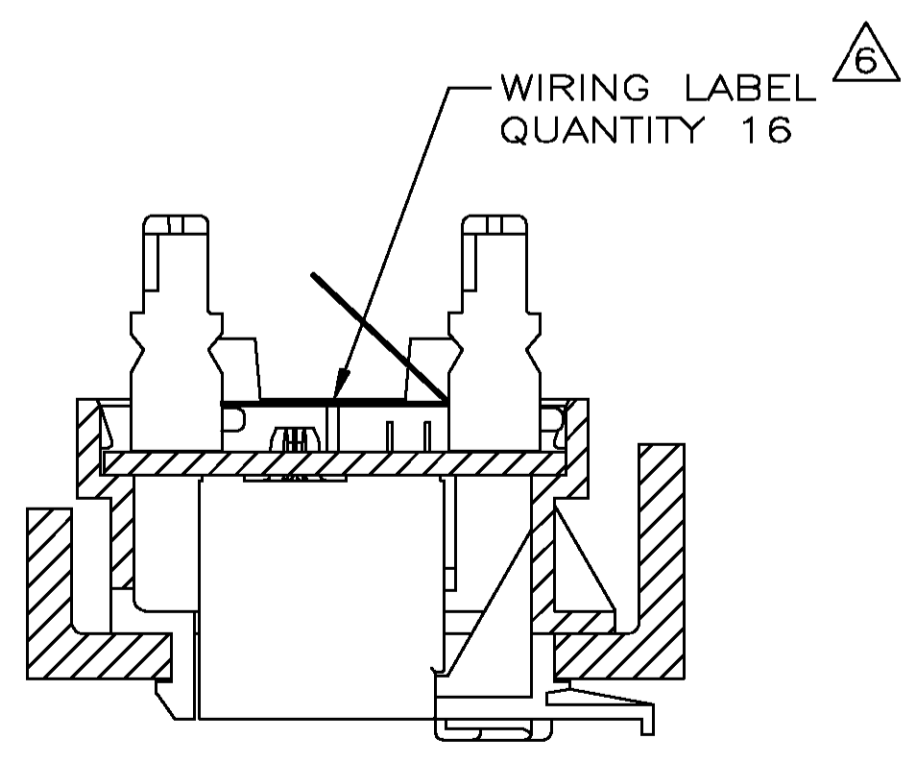
406332-1
 PART NUMBER



VIEW A-A



T568B SIDE
 110 CONNECTOR UNIVERSAL
 WIRING LABELS



SECTION B-B
 ROTATED 90° CCW
 SCALE 2:1

THIS DRAWING IS A CONTROLLED DOCUMENT.		DWN	L HALL	14AU000	AMP Incorporated Harrisburg, PA 17105-3608
		CHK	S. HERNDON	14AU000	
		APP'D	S. HERNDON	14AU000	NAME
		PRODUCT SPEC			PANEL ASSEMBLY, 96 PORT, RJ45, UNIVERSAL WIRING, CATEGORY 5, ENHANCED
		APPLICATION SPEC			RESTRICTED TO
		WEIGHT			SIZE
		MATERIAL			A1 00779 C=406332
		FINISH			SCALE 1:1 SHEET 2 OF 2 REV D
		CUSTOMER DRAWING			