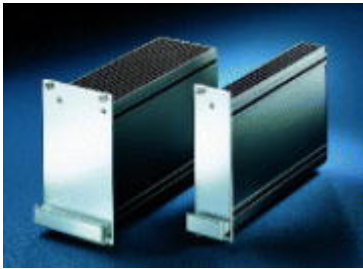


HF plug-in unit kit



Article number: 20809-537

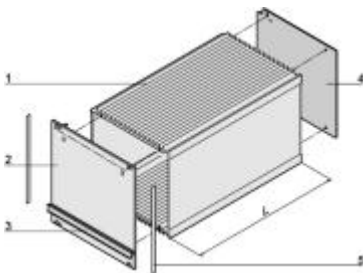
- With high shielding against high-frequency radiation
- Frame-type plug-in units to hold printed boards in HP grid
- All-round closed frame-type plug-in unit frame with cooling fins

Delivery quantity: kit

Technical data

| | | |
|-----------------|------------------------|------------|
| HF plug-in unit | Thermal resistance K/W | |
| HP | L = 167 mm | L = 227 mm |
| 7 | 1.68 | 1.51 |
| 10 | 1.62 | 1.46 |
| 12 | 1.56 | 1.40 |
| 14 | 1.50 | 1.35 |
| 21 | 1.06 | 0.95 |
| 28 | 0.94 | 0.85 |

| Item | Qty | Description |
|------|-----|---|
| 1 | 1 | Body tube, aluminium extrusion, black anodised, cut edges clean |
| 2 | 1 | Front panel with slot for EMC contact strips, alignment pin pressed in, 2.5 mm aluminium, front anodised, rear yellow chromated |
| 3 | 1 | Plastic handle, PPE, grey. Identification plate, aluminium anodised, cut edges clean |
| 4 | 1 | Rear panel, 1.5 mm aluminium, oxidised without cut-out |
| 5 | 2 | EMC contact strips, stainless steel |
| 6 | 1 | Assembly kit |



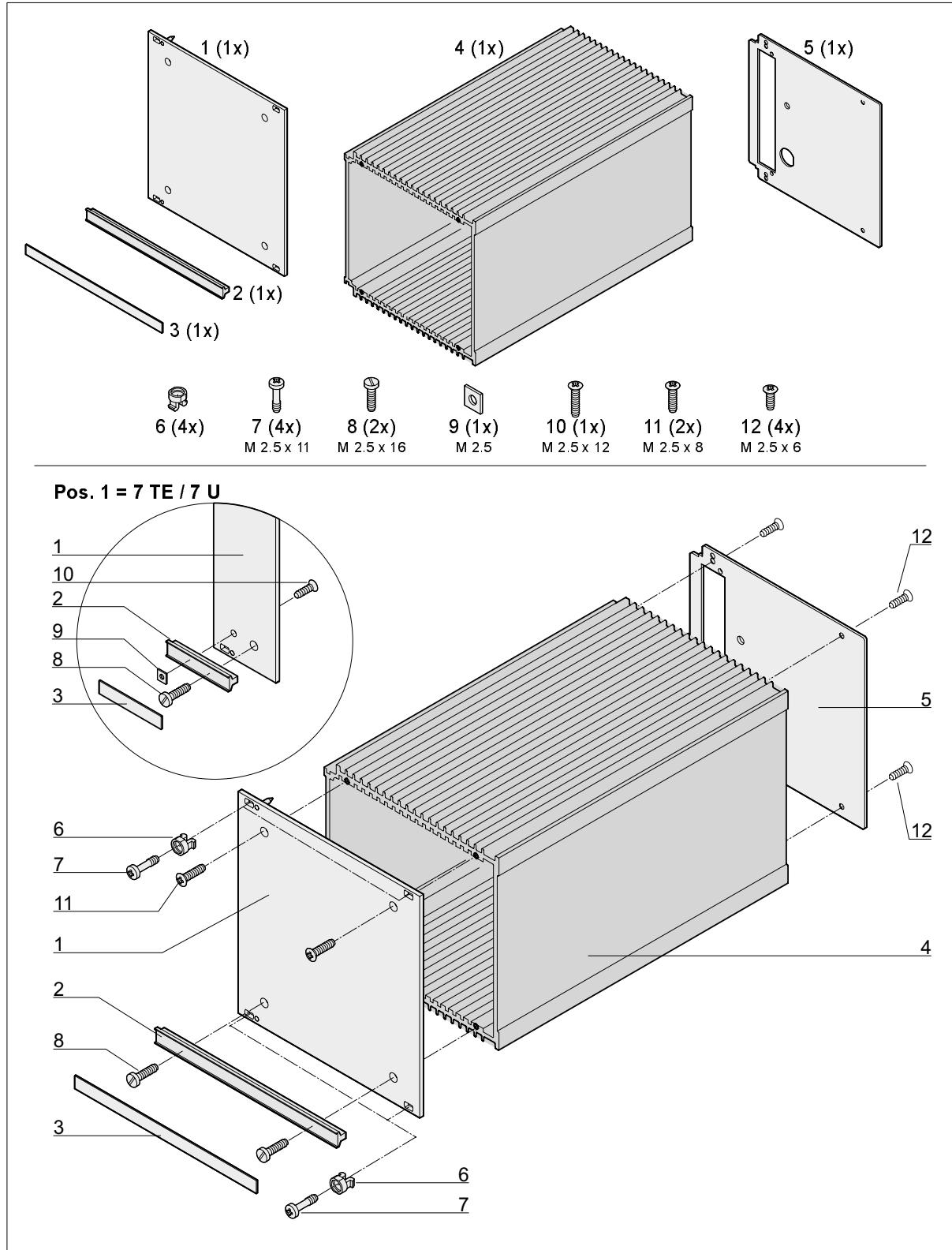
Technical data:

| Height | Width | L |
|--------|-------|--------|
| 3 U | 10 HP | 227 mm |

**Montageanweisung
HF-Kassetten**

**Assembly instructions
Plug in units**

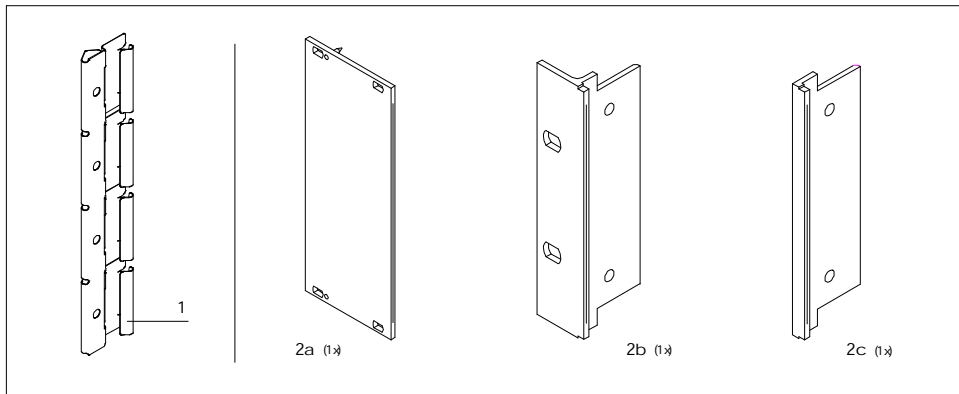
**Instructions de montage
Composants de cassettes**



**Montageanweisung
Schlitz-Kontaktstreifen**

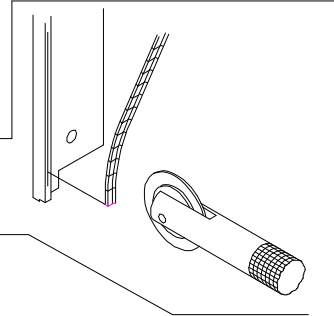
**Assembly instructions
Contact strip**

**Instructions de montage
Des joints HF en rainures**

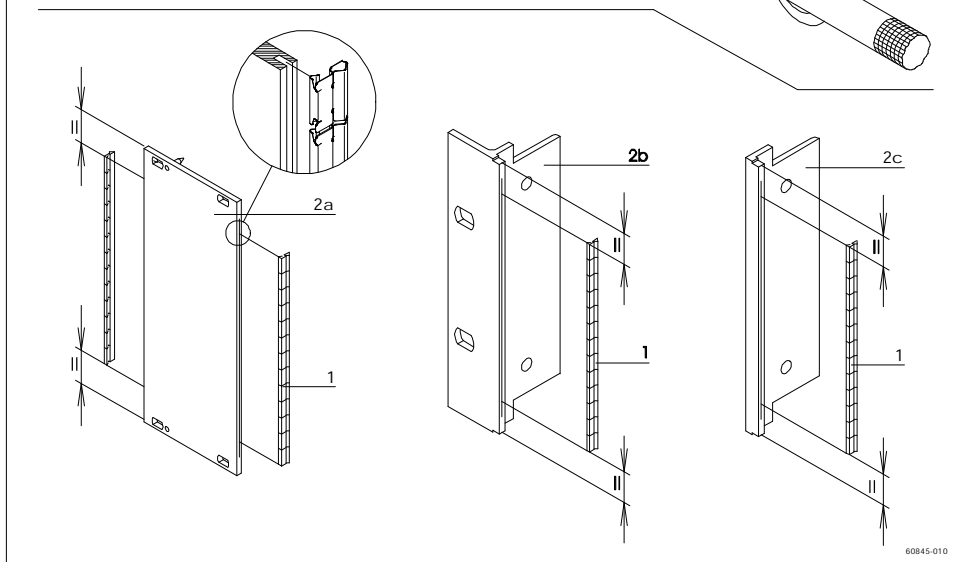


| Pos | Item | Rep. |
|-----|------|------|
| 1 | 2* | |
| 2x | a | |
| 1x | b | |
| | c | |

* Pos 2 ist im Lieferumfang nicht enthalten.
* Item 2 is not supplied.
* Rep. 2 non compris dans la livraison.



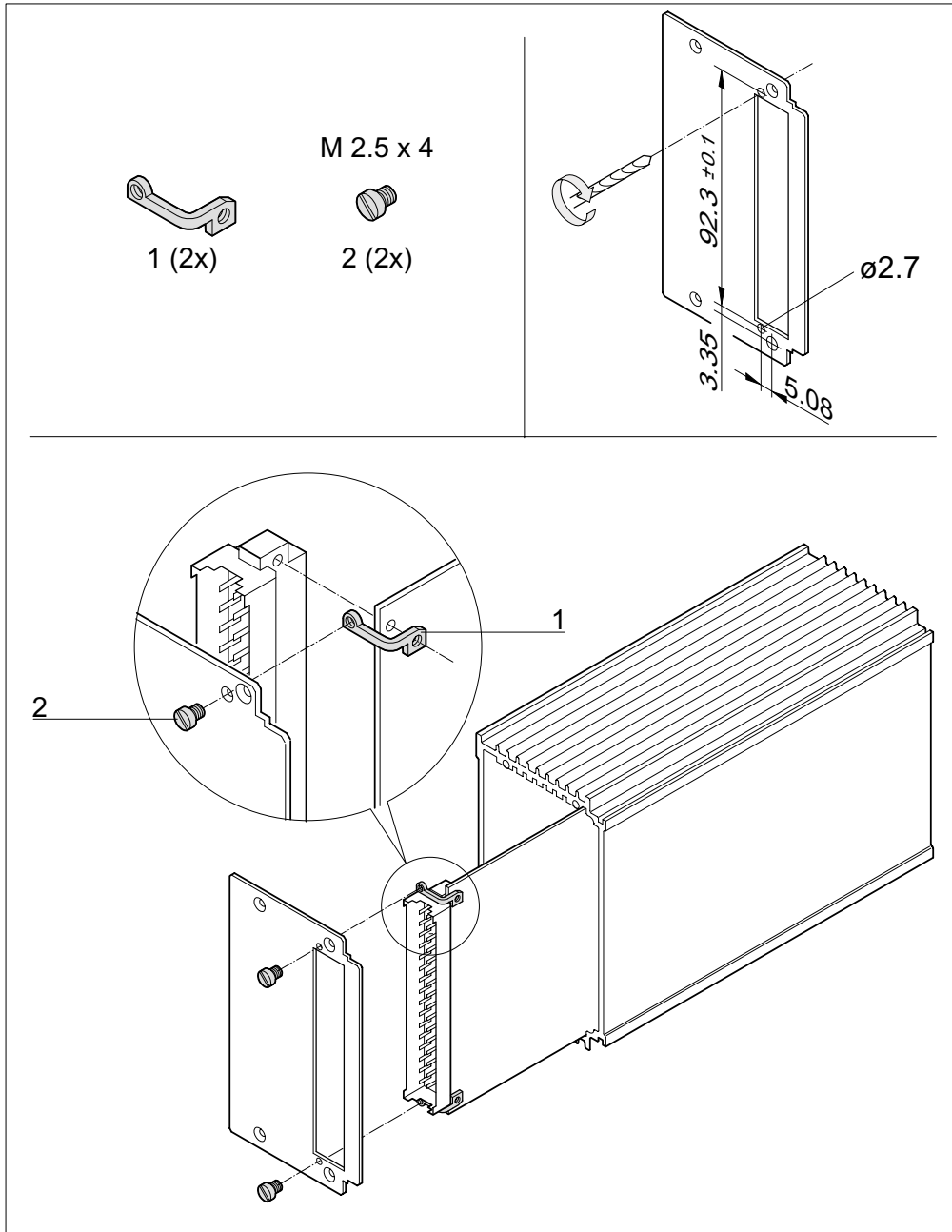
* Montagewerkzeug Nr 24560-270 empfohlen.
* Assembly tool, OrderNo. 24560-270 is recommended.
* O util de fixation recommande 24560-270.



Montageanweisung
Befestigungswinkel
für Leiterplatten

Assembly instructions
mounting bracket fo
printed circuit boards

Instructions de montage
équerre de fixation
pour cartes



60809-086 Rev. 000