



250-089 TO 250-235

ATO

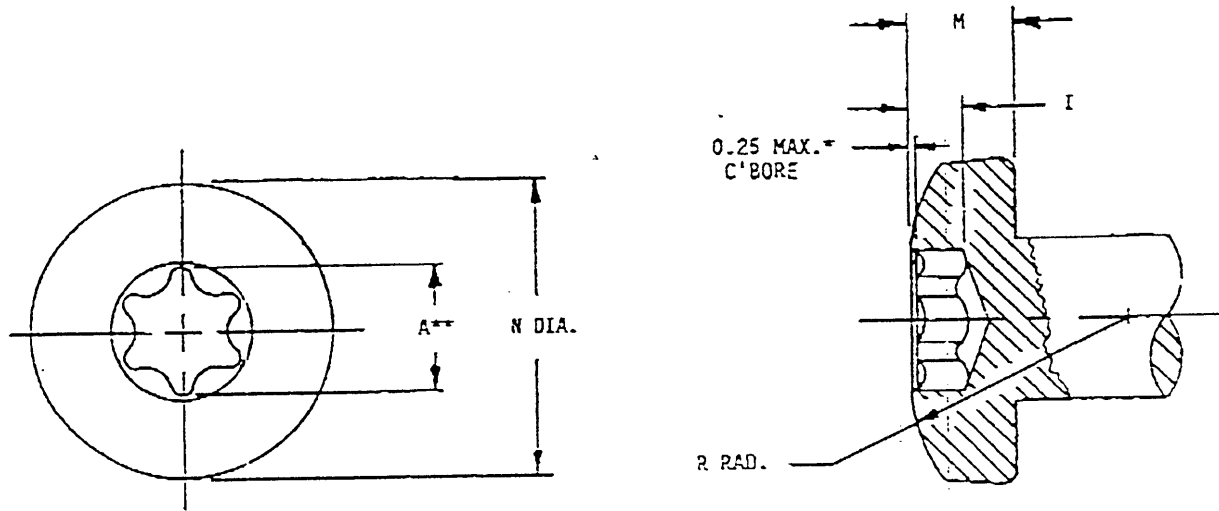
European Industrial Services Limited

Depots Division

Distributors of **NETLEFOLDS** Fasteners

TORX®

BS 4183:1967

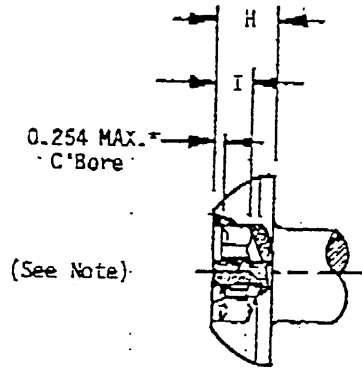
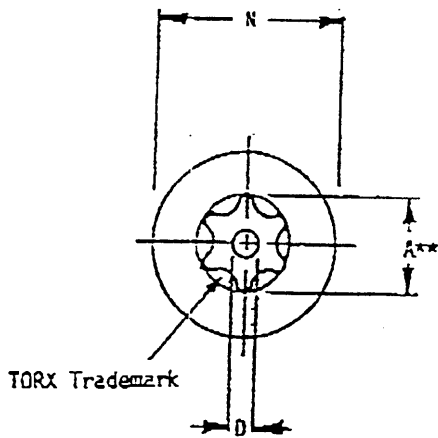


DRIVE SIZE	SCREW SIZE	HEAD DIMENSIONS					RECESS DIMENSIONS			
		N. DIA.		M		R RAD.	A REF.	I GAGE PENE.	FALLAWAY PENE.	
		MAX.	MIN.	MAX.	MIN.			MIN.	MAX.	
T-8	M2.5	5.00	4.70	1.75	1.61	3.80	2.39	0.83	0.41	
T-10	M3	6.00	5.70	2.10	1.96	4.40	2.82	0.88	0.51	
T-15	M3.5	7.00	6.64	2.45	2.31	5.20	3.35	1.14	0.51	
T-20	M4	8.00	7.64	2.80	2.66	6.20	3.94	1.27	0.64	
T-20	M4.5	9.00	8.64	3.15	2.97	7.20	3.94	1.27	0.64	
T-25	M5	10.00	9.64	3.50	3.32	7.20	4.52	1.52	0.64	
T-30	M6	12.00	11.57	4.20	3.98	9.50	5.61	1.90	0.76	
T-40	M8	16.00	15.57	5.60	5.42	13.40	6.76	2.28	0.76	
T-50	M10	20.00	19.48	7.00	6.78	19.80	8.94	3.04	0.76	

* 0.11 MAX. FOR T8 - T15.

** "A" DIMENSION TO BE GAGED.

TAMPER RESISTANT



DRIVE SIZE	SCREW SIZE	HEAD DIMENSIONS				RECESS DIMENSIONS			
		N		H		A	I	FALLAWAY GAGE PENE. MAX.	D
		MAX.	MIN.	MAX.	MIN.	REF.	MIN.		REF.
T8	M3	5.70	5.40	1.65	1.43	2.39	0.838	0.41	0.524
T10	M3.5	6.65	6.29	1.93	1.70	2.82	1.016	0.51	0.762
T15	M4	7.60	7.24	2.20	1.95	3.35	1.143	0.51	1.016
T25	M5	9.50	9.14	2.75	2.50	4.52	1.397	0.64	1.778
T27	M6	10.50	10.07	3.30	3.00	5.08	1.651	0.76	2.032
T40	M8	14.00	13.57	4.40	4.05	6.76	2.413	0.76	2.642
T45	M10	17.50	17.07	5.50	5.20	7.92	2.794	0.76	3.175
T55	M12	21.00	20.48	6.60	6.24	11.33	3.683	0.76	4.572
T55	M14	24.50	23.98	7.70	7.34	11.33	3.683	0.76	4.572

NOTE: TOP OF TAMPER RESISTANT POST SHOULD BE TO APPROXIMATELY THE TOP OF THE HEAD.

* 0.127 for T8-T15
 ** "A" dimension to be gaged.