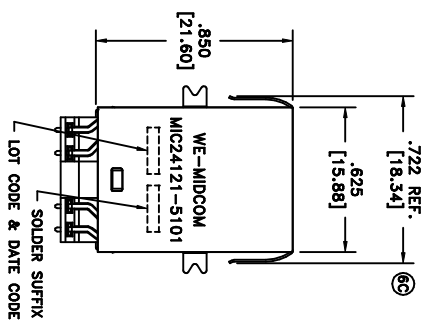
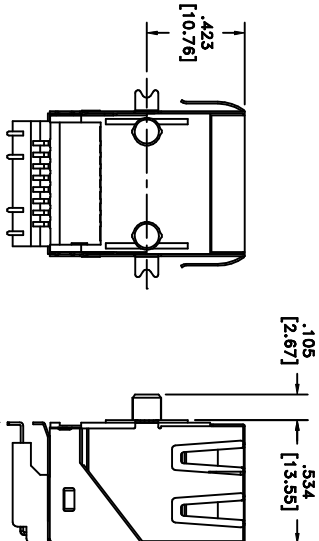
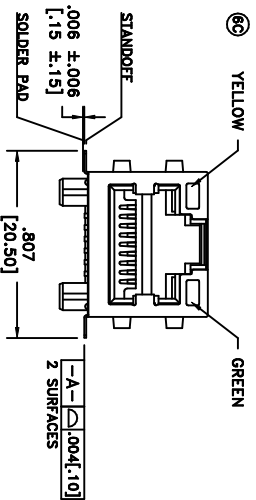


SOLDER SUFFIX	CUSTOMER TERMINAL	ROHS	LEAD(Pb)-FREE
LF3	SM100X	Yes	No



**ELECTRICAL SPECIFICATIONS @ 25°C unless otherwise noted:**

INDUCTANCE: 350uH min., 100kHz, 100mV, 8mADC, J1-J2, J3-J6, Lp.

DIELECTRIC RATING: 1500Vrms for 1 minute between P1-J1(tie P1+P4).

TURNS RATIO/POLARITY: (P1-P3):(J1-J2) = 1:1, ±2%.  
(P4-P6):(J3-J6) = 1:1, ±2%.

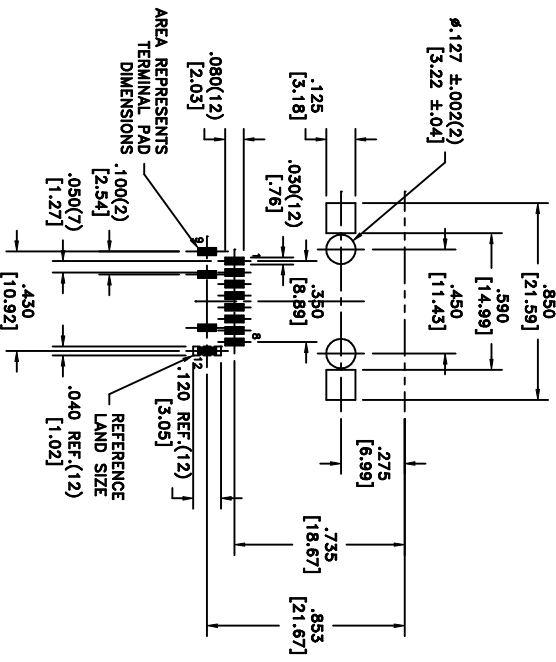
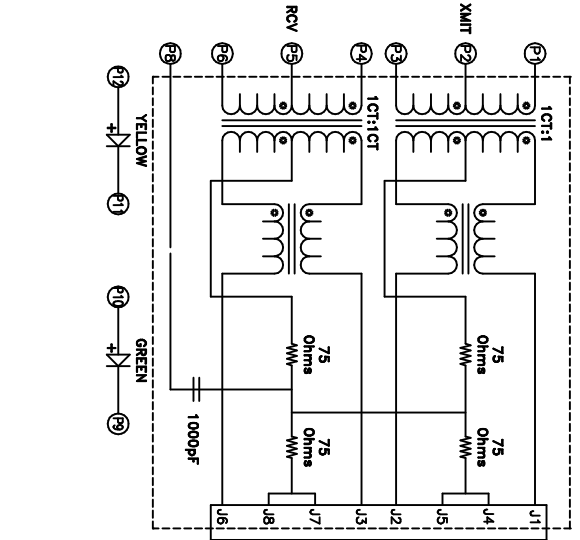
INSERTION LOSS: -1.0dB max., 1MHz - 100MHz.

RETURN LOSS: -18dB min., 1M - 30MHz.  
-16dB min., 30M - 45MHz.  
-14dB min., 45M - 60MHz.  
-12dB min., 60M - 80MHz.

CROSSTALK: -35dB min., 1MHz - 100MHz.

COMMON MODE REJECTION: -35dB min., 1MHz - 100MHz.

OPERATING TEMPERATURE RANGE: 0°C to +70°C.



Unless otherwise specified:  
Tolerances: Fractions: ±1/64  
Angles: ±1° Decimals: ±.010[.25]  
This drawing is dual dimensioned. Dimensions in brackets are in millimeters.

DRAWING TITLE  
**TRANSFORMER**  
10/100Mbs

MIDCOM INC.  
www.midcom-inc.com

DRAWING NO. MIC24121-5101W-LF3  
SCALE ---  
SHEET 2 OF 6  
REV. 9/06

AGENCY NUMBER  
UL60950-1 E205930