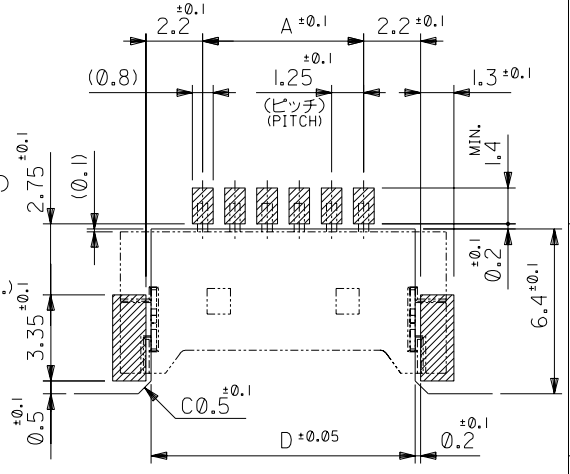
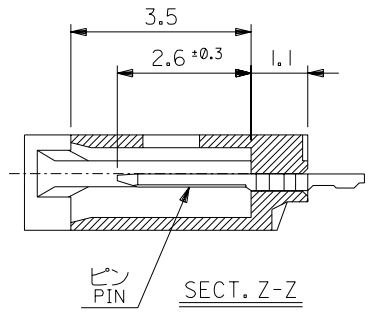
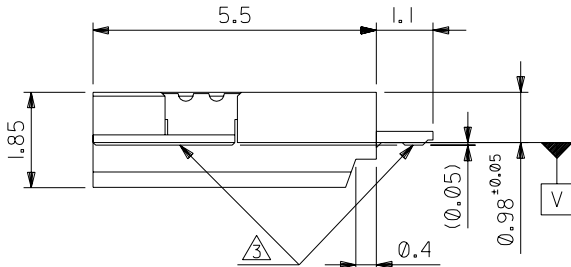
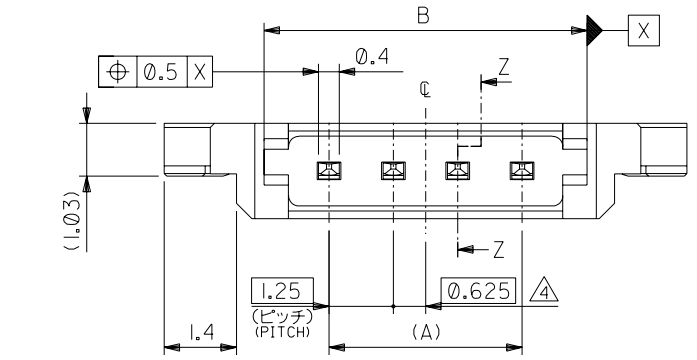
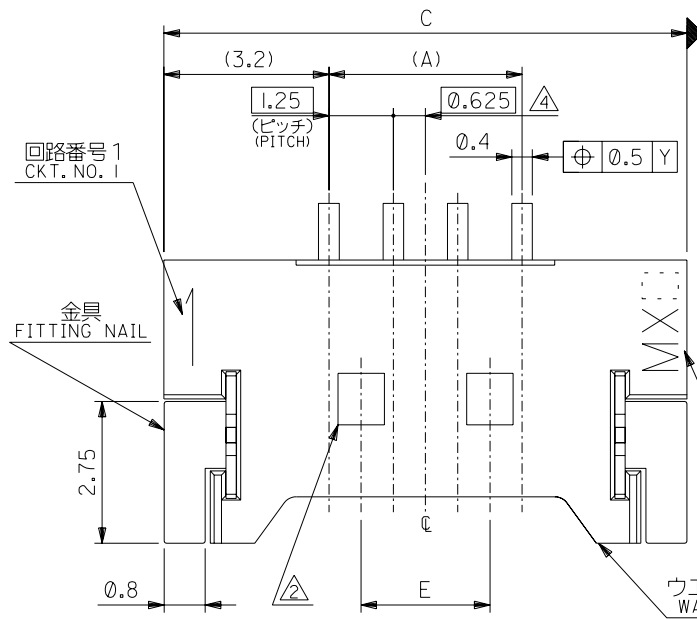


DWG. NO. SD-55063-001
 DIMENSIONS IN METRIC DO NOT SCALE DRAWING

注記 NOTES

1. 嵌合相手：51146 シリーズ
MATES WITH : 51146 SERIES
2. ロック窓は2、3極品は1箇所、4極品以上は2箇所とする。
LOCKING WINDOW : ONE PLACE FOR 2 AND 3 CIRCUIT PRODUCTS
AND TWO PLACES FOR MORE THAN 3 CIRCUIT PRODUCTS.
3. 基準面 ∇ からのソルダーテールと金具の半田付け面のズレ量は、
上方向に 0.05MAX. 、下方向 0.15MAX. とし、 2ϕ 極以下の相互の
バラツキ量は 0.1MAX. とする。
MISALIGNMENT OF SOLDER TAIL AND FITTING NAIL FROM ∇
: UPPER DIRECTION 0.05MAX.
: LOWER DIRECTION 0.15MAX.
: OFFSET BETWEEN UPPER AND LOWER 0.1MAX. (UNDER 2ϕ CKTS.)
4. 偶数極の製品に適用。
APPLY EVEN CIRCUIT PRODUCTS.
5. 材質 MATERIAL
ウエハー WAFER : PPHS , UL94V-0
ピン: リン青銅 (コンタクト部: 金メッキ、テール部: 錫メッキ)
(下地: ニッケルメッキ)
PIN : PHOS-BRO (CONTACT : GOLD PLATING, TAIL : TIN PLATING)
(UNDER PLATING : NICKEL)
金具: リン青銅 (ニッケル下地錫メッキ)
FITTING NAIL : PHOS-BRO (TIN OVER NICKEL PLATING)
6. 本製品は 55063-***10 の鉛フリー品である。
THIS PRODUCT IS LEAD FREE OF 55063-***10

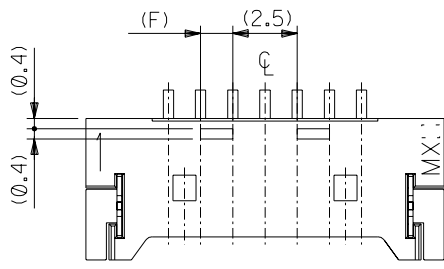


参考基板レイアウト
RECOMMENDED P.C. BOARD PATTERN DIM. (REF.)

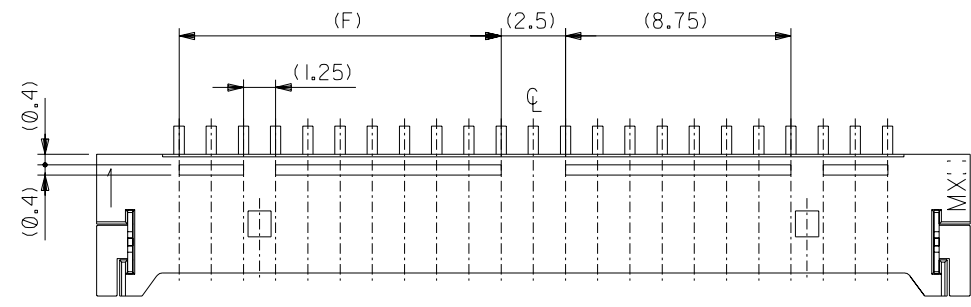
16.25	22.5	40.25	42.65	38.77	36.25	55063-3019	30
15	22.5	37.75	40.15	36.27	33.75		-2819 28
13.75	22.5	35.25	37.65	33.77	31.25		-2619 26
12.5	22.5	32.75	35.15	31.27	28.75		-2419 24
11.25	22.5	30.25	32.65	28.77	26.25		-2219 22
8.75	22.5	27.75	30.15	26.27	23.75		-2019 20
7.5	20	25.25	27.65	23.77	21.25		-1819 18
6.25	17.5	22.75	25.15	21.27	18.75		-1619 16
6.25	16.25	21.5	23.9	20.02	17.5		-1519 15
5	15	20.25	22.65	18.77	16.25		-1419 14
3.75	12.5	17.75	20.15	16.27	13.75		-1219 12
2.5	10	15.25	17.65	13.77	11.25		-1019 10
2.5	8.75	14	16.4	12.52	10		-0919 9
1.25	7.5	12.75	15.15	11.27	8.75		-0819 8
1.25	6.25	11.5	13.9	10.02	7.5		-0719 7
--	5	10.25	12.65	8.77	6.25		-0619 6
--	3.75	9	11.4	7.52	5		-0519 5
--	2.5	7.75	10.15	6.27	3.75		-0419 4
--	--	6.5	8.9	5.02	2.5		-0319 3
--	--	5.25	7.65	3.77	1.25	55063-0219	2

55063-***19	F	E	D	C	B	A	MATERIAL NO.	CKT. 極数
MODEL NO.								

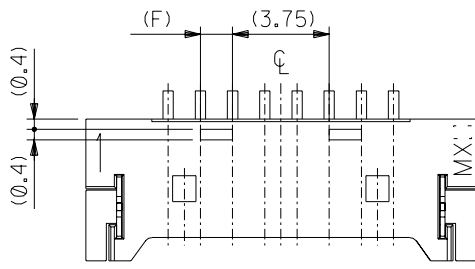
材料 MATERIAL	注記参照 SEE NOTES	molex MOLEX-JAPAN CO.,LTD. 日本モレックス株式会社	
仕上げ FINISH	--	REVISE ONLY ON CAD SYSTEM	
適用電線範囲 WIRE RANGE	--	TITLE 名称 1.25 WIRE TO BOARD CONN. WAFER ASS'Y FOR S.M.T. (H=1.03) -LEAD FREE-	
被覆外径 INS. RANGE	--	DWG. NO. (SHEET 1 OF 2) REV SD-55063-001 0	
DRAWN BY 04/03/09 CHK'D BY 04/03/09	M.NABEI K.TOJO		
APP'D BY 04/03/09	M.SASAO		
角度 ANGLE	+3°		
30 以上 OVER	+0.3		
10 以上 30 未満 UNDER	+0.25		
10 未満 UNDER	+0.2		
一般公差 GENERAL TOLERANCES	記号 LTR	変更内容 REVISION RECORD	日付 DATE
	0	新規作成 (J2004-2963)	04/03/09
			M.S
			DR. CHK.
			尺 寸 尺 度
			SCALE



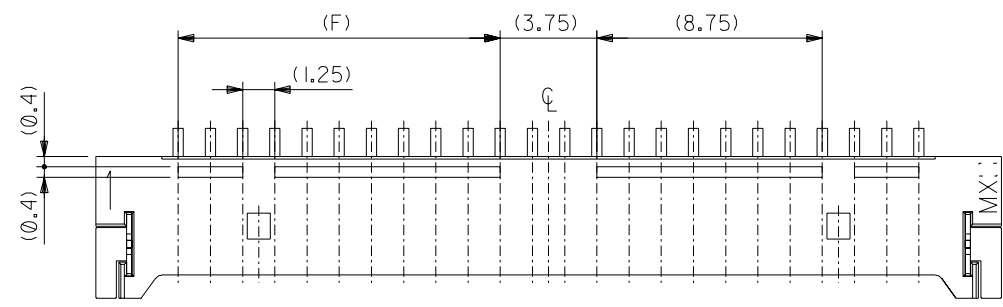
7~19極の奇数極に適用
APPLY FOR ODD CIRCUITS OF 7~19



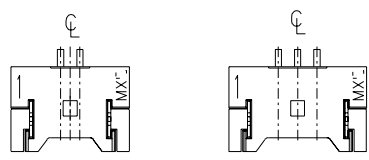
21極以上の奇数極に適用
APPLY FOR ODD CIRCUITS 21~29



8~20極の偶数極に適用
APPLY FOR EVEN CIRCUITS OF 8~20



22極以上の偶数極に適用
APPLY FOR EVEN CIRCUITS 22~30



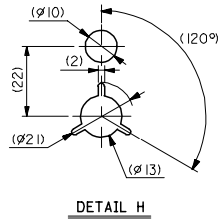
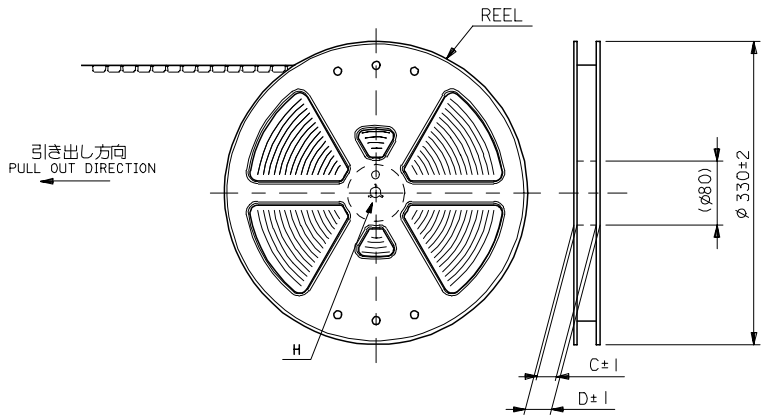
2 CKT. 3 CKT.

ロック形状図
LOCK CONFIGURATION

55063-***19
MODEL NO.

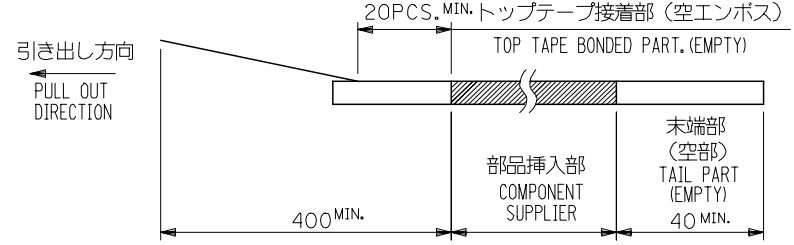
角度 ANGLE		±3°	材料 MATERIAL		注記参照 SEE NOTES
30 以上 OVER		+0.3	仕上げ FINISH		—
10 以上 OVER 30 未満 UNDER		+0.25	適用電線範囲 WIRE RANGE		—
10 未満 UNDER		+0.2	被覆外径 INS. RANGE		—
一般公差 GENERAL TOLERANCES		①	DRAWN BY '04/03/09		CHK'D BY '04/03/09
記号 LTR	変更内容 REVISION RECORD	新規作成 (J2004-2963) RELEASED	M.N. M.S	04/03/09	M.NABEI
			DR. DR.	DATE	K.TOJO
			CHK. CHK.		M.SASAO
					尺 度 SCALE
					—

MOLEX-JAPAN CO.,LTD. 日本モレックス株式会社	
REVISE ONLY ON CAD SYSTEM	
TITLE 名称 1.25 WIRE TO BOARD CONN. WAFER ASS'Y FOR S.M.T. (H=1.03) -LEAD FREE-	
DWG. NO. (SHEET 2 OF 2)	REV ①
SD-55063-001	



NOTES

- 1. 梱包数量：1500個/リール
NUMBER OF CONNECTORS : 1500PCS/REEL
- 2. リードテープ長さ LEAD TAPE LENGTH



- 3. 材料
キャリアテープ：ポリプロピレン (PP)
トップテープ：PET, PE, PEF
リール：ポリスチレン (PS) <リサイクル材を含む>

MATERIAL CARRIER TAPE:POLYPROPYLENE
TOP TAPE:PET,PE,PEF
REEL:POLYSTYRENE(PS)
<RECYCLE MATERIAL CONTAINED>

- 4. 本製品は 55063-***90 の鉛フリー品である。
THIS PRODUCT IS LEAD FREE OF 55063-***90

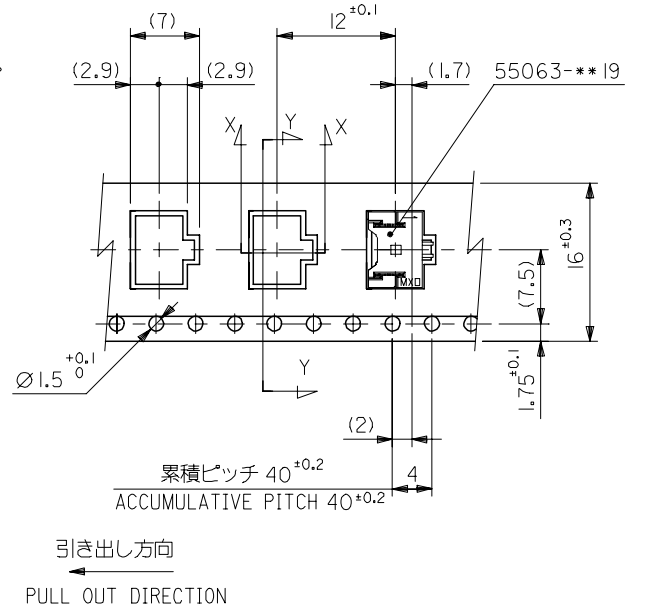
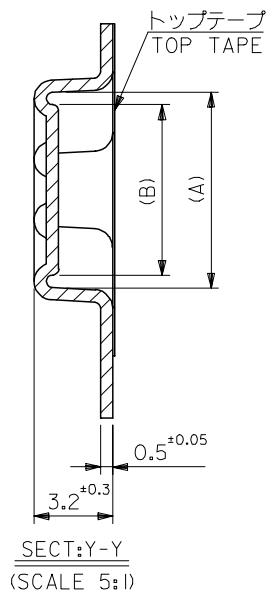
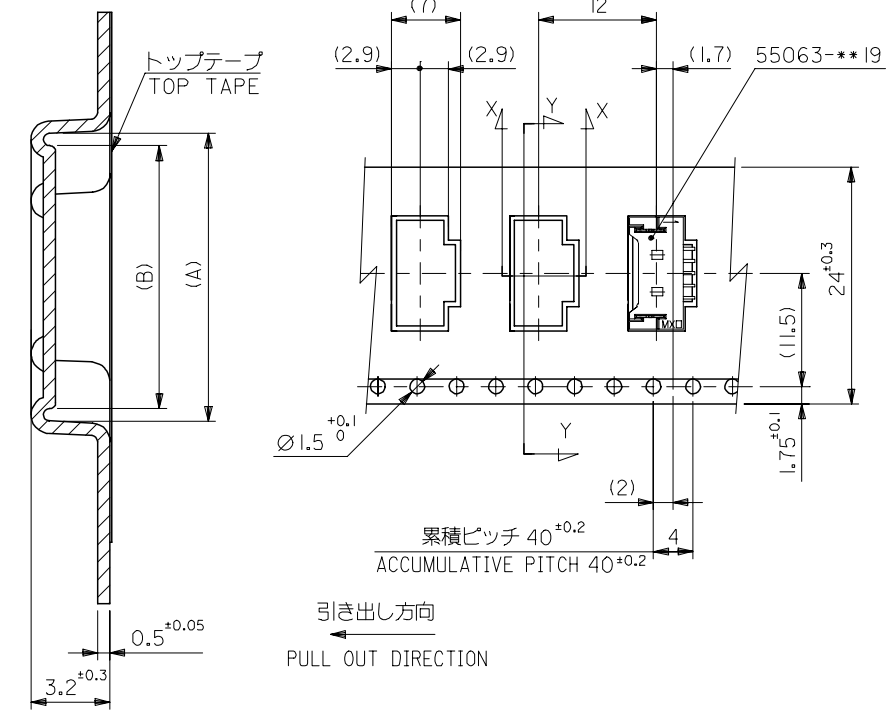
55063-***70
MODEL NO.

REVISED EC NO: J2007-1035 DRWN:MABEI 2006/10/17 CHKDK:TOYODA 2006/10/19 APPR:NUKITA 2006/10/23	GENERAL TOLERANCES (UNLESS SPECIFIED)		DIMENSION STYLE MM ONLY		SCALE ---	DESIGN UNITS METRIC	THIRD ANGLE PROJECTION	
	10 UNDER	±0.2	DRAWN BY M.NABEI	DATE '04/03/09	TITLE 1.25 BTB CONN ASSY SMT H=1.03 EMBSTP PKG -LEAD FREE- MOLEX INCORPORATED			
	10 OVER 30 UNDER	±0.25	CHECKED BY K.TOJO	DATE '04/03/09				
	30 OVER	±0.3	APPROVED BY M.SASAO	DATE '04/03/09				
	ANGULAR ±3 °		MATERIAL NO. SEE CHART		DOCUMENT NO. SD-55063-002		SHEET NO. 1 OF 3	
DRAFT WHERE APPLICABLE MUST REMAIN WITHIN DIMENSIONS		SIZE A3		THIS DRAWING CONTAINS INFORMATION THAT IS PROPRIETARY TO MOLEX INCORPORATED AND SHOULD NOT BE USED WITHOUT WRITTEN PERMISSION				

10 9 8 7 6 5 4 3 2 1

F
E
D
C
B
A

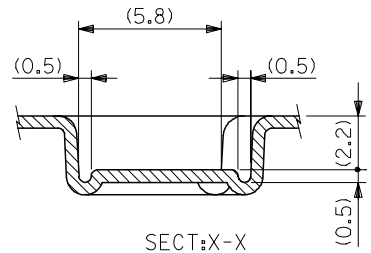
F
E
D
C
B
A



SECT:Y-Y
(SCALE 5:1)

SECT:Y-Y
(SCALE 5:1)

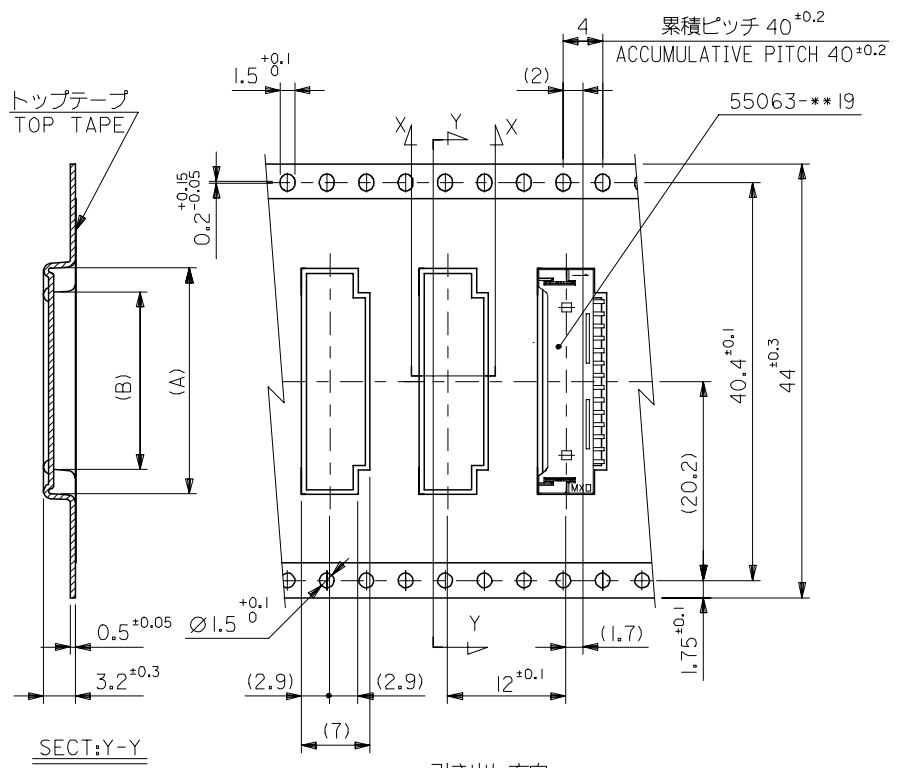
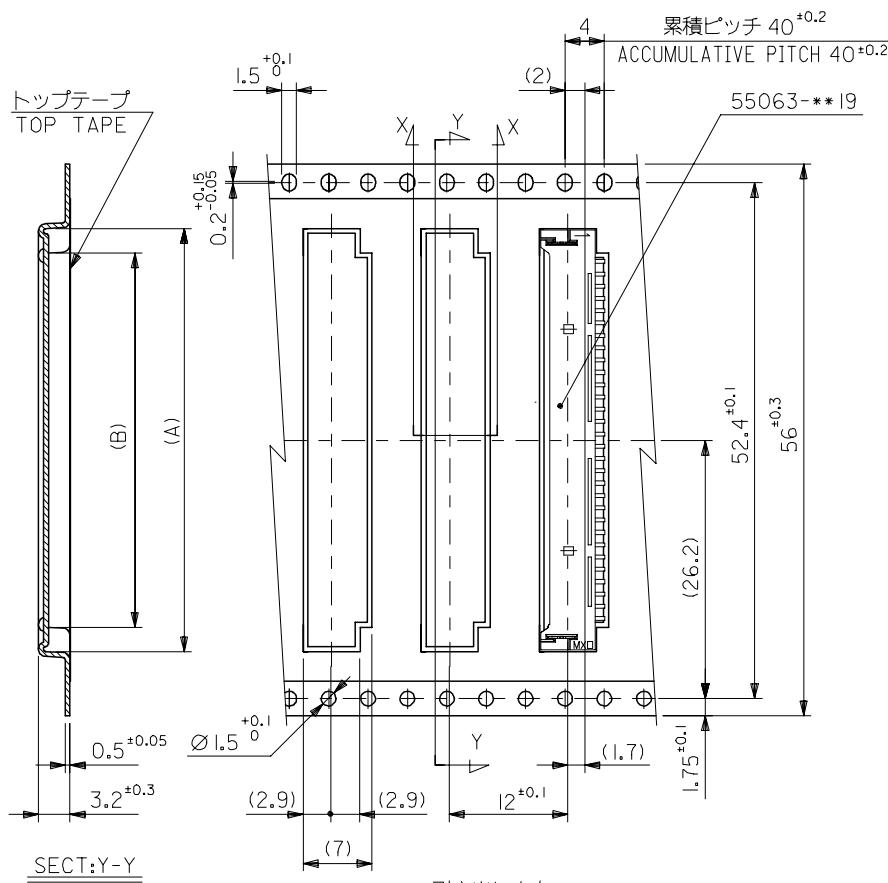
SECT:X-X
(SCALE 5:1)



24	29.4	25.4	11.75	16.7	55063-0970	9
			10.5	15.45	55063-0870	8
			9.25	14.2	55063-0770	7
			8	12.95	55063-0670	6
			6.75	11.7	55063-0570	5
			5.5	10.45	55063-0470	4
16	21.4	17.4	4.25	9.2	55063-0370	3
			3	7.95	55063-0270	2
			(B)	(A)	MATERIAL NO.	種 敷 C K T

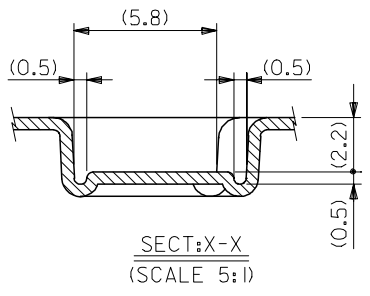
REVISED EC NO: J2007-1035 DRWN: NABEI 2006/10/17 CHKD: TOYODA 2006/10/19 APPR: NUKITA 2006/10/23	GENERAL TOLERANCES (UNLESS SPECIFIED)		DIMENSION STYLE MM ONLY		SCALE ---	DESIGN UNITS METRIC	THIRD ANGLE PROJECTION
	10 UNDER	±0.2	DRAWN BY M. NABEI	DATE '04/03/09	TITLE 1.25 BTB CONN ASSY SMT H=1.03 EMBSTP PKG -LEAD FREE-		
	10 OVER 30 UNDER	±0.25	CHECKED BY K. TOJO	DATE '04/03/09	MOLEX INCORPORATED		
	30 OVER	±0.3	APPROVED BY M. SASAO	DATE '04/03/09	DOCUMENT NO. SD-55063-002		
	ANGULAR	±3 °	MATERIAL NO. SEE CHART		SHEET NO. 2 OF 3		
A	DRAFT WHERE APPLICABLE MUST REMAIN WITHIN DIMENSIONS		SIZE A3		THIS DRAWING CONTAINS INFORMATION THAT IS PROPRIETARY TO MOLEX INCORPORATED AND SHOULD NOT BE USED WITHOUT WRITTEN PERMISSION		

10 9 8 7 6 5 4 3 2 1



引き出し方向
PULL OUT DIRECTION

引き出し方向
PULL OUT DIRECTION



55063-***70	MODEL NO.	キャリアテープ幅	D	C	(B)	(A)	MATERIAL NO.	極致
-------------	-----------	----------	---	---	-----	-----	--------------	----

56	61.4	57.4	38	42.95	55063-3070	30
			33	37.95	55063-2670	26
			30.5	35.45	55063-2470	24
44	49.4	45.4	28	32.95	55063-2270	22
			25.5	30.45	55063-2070	20
			19.25	24.2	55063-1570	15
			18	22.95	55063-1470	14

REVISED EC NO: J2007-1035 DRWN: NABEI 2006/10/17 CHKD: KTOYODA 2006/10/19 APPR: NUKITA 2006/10/23	GENERAL TOLERANCES (UNLESS SPECIFIED)		DIMENSION STYLE MM ONLY		SCALE ---	DESIGN UNITS METRIC	THIRD ANGLE PROJECTION
	10 UNDER	±0.2	DRAWN BY M. NABEI	DATE '04/03/09	TITLE 1.25 BTB CONN ASSY SMT H=1.03 EMBSTP PKG -LEAD FREE-		
	10 OVER 30 UNDER	±0.25	CHECKED BY K. TOJO	DATE '04/03/09	MOLEX INCORPORATED		
	30 OVER	±0.3	APPROVED BY M. SASAO	DATE '04/03/09	SHEET NO. 3 OF 3		
	ANGULAR	±3 °	MATERIAL NO. SEE CHART		DOCUMENT NO. SD-55063-002		
	DRAFT WHERE APPLICABLE MUST REMAIN WITHIN DIMENSIONS		SIZE A3		THIS DRAWING CONTAINS INFORMATION THAT IS PROPRIETARY TO MOLEX INCORPORATED AND SHOULD NOT BE USED WITHOUT WRITTEN PERMISSION		