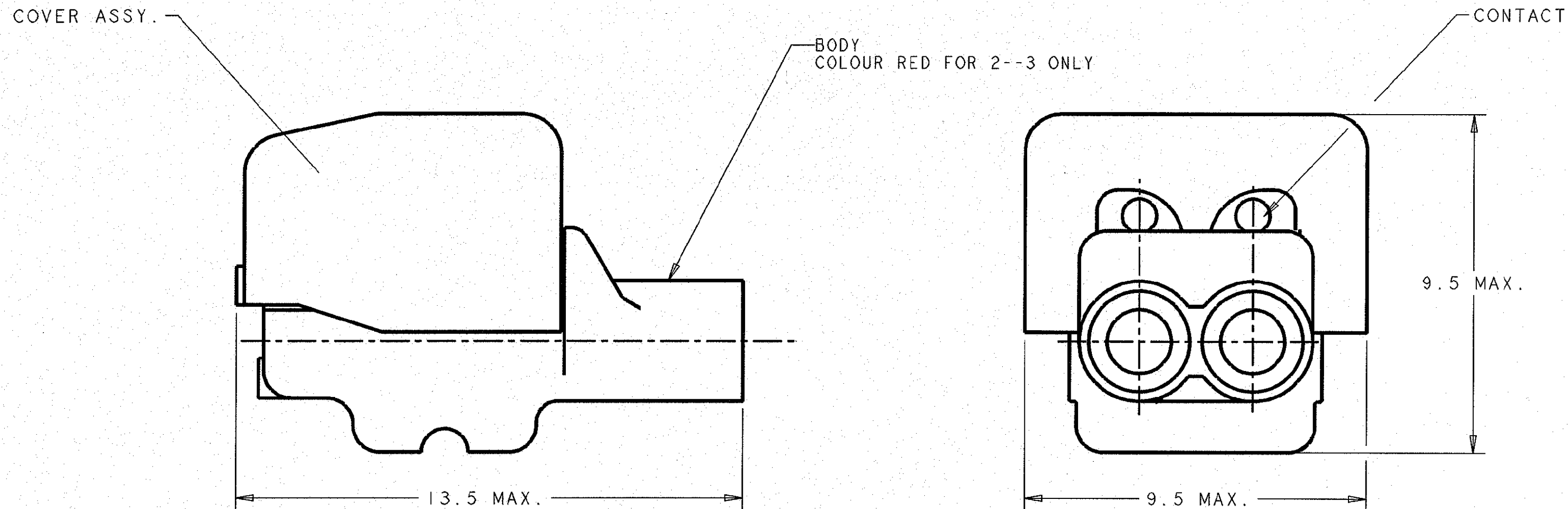


C.A.D. FILE CODE
C342583



1. TO SPLICE ANY TWO WIRES 0.5mm DIA. ALUM. ALLOY. NOMINAL SOLID CONDUCTOR, OR 0.4 TO 0.9mm DIA. COPPER NOMINAL SOLID CONDUCTORS. MAXIMUM INSULATION 1.55DIA.

2. FINISH CRIMPED HEIGHT 6.3mm MAX.

△ THIS PART CONFORMS TO AMP PRODUCT SPEC. NO 108-3038

4. FIGURES SHOWN ARE THE QUANTITY OF TELSPLICE ASSEMBLIES PER PART NO.

EXAMPLES:- 1 OFF PT NO 342583-6 = 100 ASSEMBLIES.
 10 OFF PT NO 342583-6 = 10 X 100 ASSEMBLIES.
 100 OFF PT NO 342583-4 = 100 X 1 ASSEMBLIES.
 1000 OFF PT NO 342583-4 = 1000 X 1 ASSEMBLIES.

△ THIS PART CONFORMS TO BT SPEC. LN363, CONNECTOR WIRE INSULATED No 8A.

	1000	PLASTIC BAG	1	2-342583-4	△
OBSOLETE	500	ROUND TUB	1	2-342583-3	
OBSOLETE	500	ROUND TUB	500	2-342583-2	
OBSOLETE	500	ROUND TUB	500	2-342583-1	
OBSOLETE	500	ROUND TUB	1	1-342583-3	△
OBSOLETE	500	ROUND TUB	1	1-342583-2	△
OBSOLETE	500	ROUND TUB	500	1-342583-1	△ 5
OBSOLETE	110	PLASTIC BOX	1	342583-9	△
OBSOLETE	5000	REEL	1	342583-8	
	5000	REEL	1	342583-7	△
	100	PLASTIC BOX	100	342583-6	△
	100	PLASTIC BOX	1	342583-4	△
	500	ROUND TUB	1	342583-2	△
OBSOLETE	500	ROUND TUB	1	342583-1	△ 5

REV	APPROVED	CHANGE No.	DATE	SCALE	LOC	SIZE	DWG. No.	REV	SHEET
				1/1	E	A 2	C342583	J	1/2

CUSTOMER DWG FOR REFERENCE ONLY		COPYRIGHT 1984 BY AMP OF GREAT BRITAIN LTD. ALL INTERNATIONAL RIGHTS RESERVED. ALL PRODUCTS MAY BE COVERED BY BRITISH AND FOREIGN PATENTS AND/OR PATENTS PENDING.		RELEASED FOR PUBLICATION 31 DEC 1984	
TOLERANCES UNLESS OTHERWISE STATED :		DR. D.R. TERRY 25 MAY 1994		CH. R. GOODALL APP. R. GOODALL	
J	F.W-K	EB00-0372-00	06-07-00	AMP of Great Britain Ltd. TERMINAL HOUSE STANMORE MIDD.	
H	F.W-K	EB00-0035-99	18-2-99		
G	J. HUTCHINSON	EB00-0490-98	25-9-98		
F	R. GANDY	EB00-0569-96	11-11-96		
E	R. GOODALL	EB00-0252-94	25-5-94		