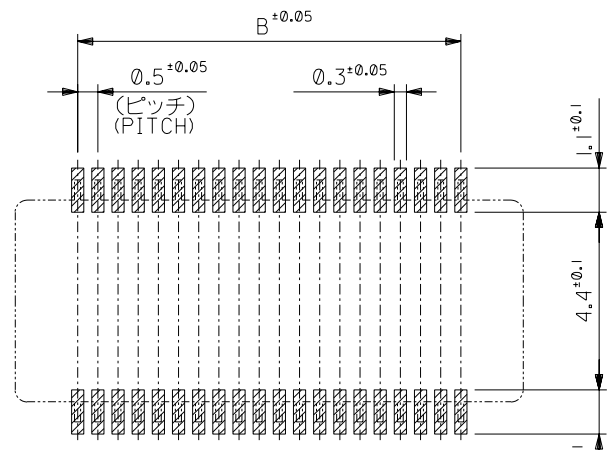
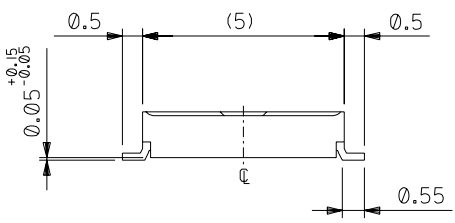
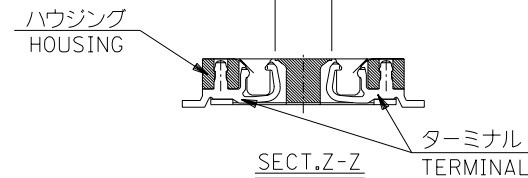
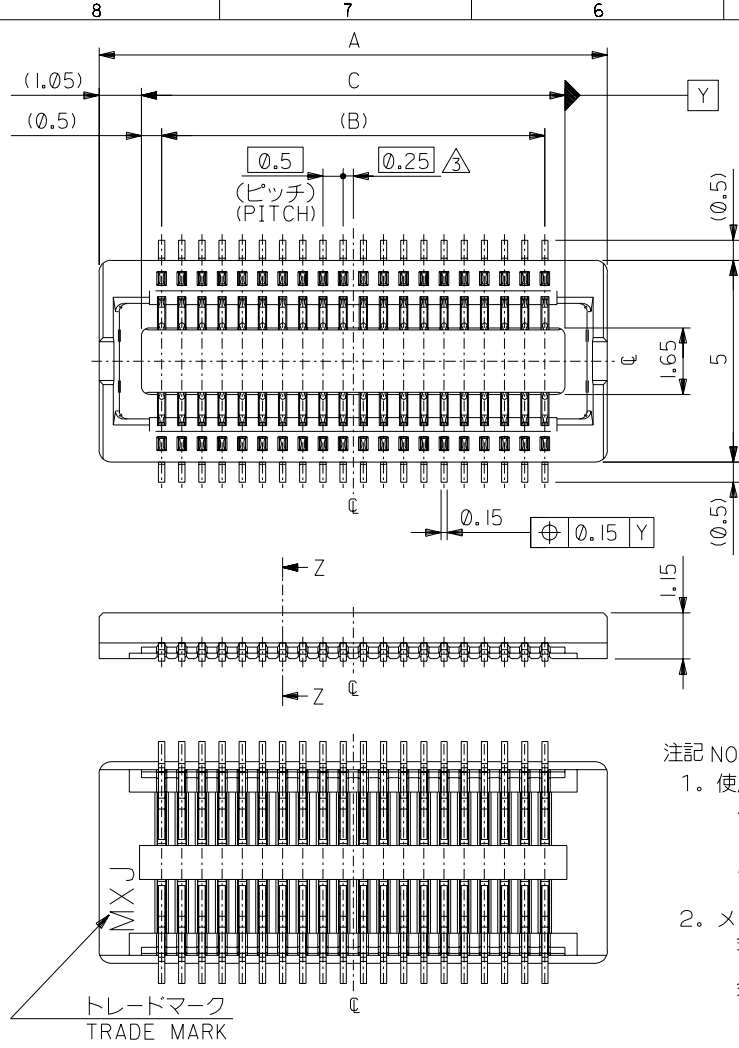


DWG. NO. SD-54722-007
 F
 D
 V
 C
 B
 DO NOT SCALE DRAWING
 A



参考基板レイアウト (マウント面)
 P.C. BOARD PATTERN DIMENSION. (REF.) (MOUNTING AREA)

30極以下品形状
 SHAPE OF 30 CIRCUITS OR LESS

注記 NOTES:

- 使用材料 MATERIAL
 ハウジング: 液晶ポリマー ガラス充填, UL94V-0 (黒)
 HOUSING: LIQUID CRYSTAL POLYMER (GLASS FILLED) UL94V-0, (COLOR: BLACK)
 ターミナル: リン青銅 (t=0.15)
 TERMINAL: PHOSPHOR BRONZE (t=0.15)
- メッキ仕様 PLATING
 金メッキ 0.25 MICROMETER MINIMUM (コンタクト部)
 GOLD 0.25 MICROMETER MINIMUM. (CONTACT AREA)
 金メッキ 0.4 MICROMETER MAXIMUM (テール部)
 GOLD 0.4 MICROMETER MAXIMUM. (TAIL AREA)
 下地メッキ: ニッケルメッキ 1.5 MICROMETER MINIMUM
 UNDER PLATING: NICKEL 1.5 MICROMETER MINIMUM

- △ (全極数/2) = 偶数の場合に適用。
 APPLY FOR (CIRCUIT/2)=EVEN.
 4 嵌合相手: 55560 シリーズ, 53794 シリーズ
 MATE WITH: 55560 SERIES, 53794 SERIES.
 5 テール平坦度は、0.1 MAXIMUM.
 TAIL COPLANARITY TO BE 0.1 MAXIMUM.

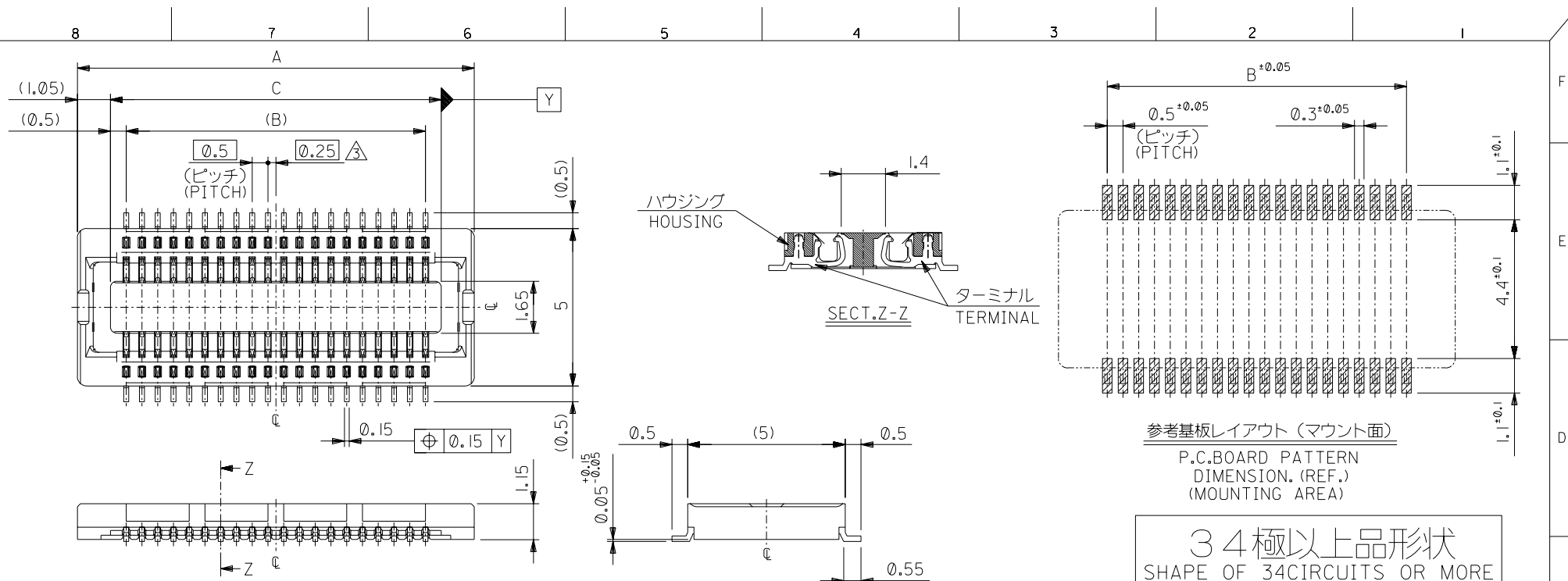
8.0	7.0	10.1	54722-0301	30
6.5	5.5	8.6	54722-0241	24
6.0	5.0	8.1	54722-0221	22
5.5	4.5	7.6	54722-0201	20
4.5	3.5	6.6	54722-0161	16
C	B	A	MATERIAL. NO	極数 CIRCUIT

①64NO. DRWN: CH'K: APPR:	①63NO. DRWN: CH'K: APPR:	REVISED ①62NO. J2003-2517 DRWN: S.AIHARA '03/03/31 CH'K: M.SASAO APPR: M.SASAO	REVISED ①61NO. J2003-1929 DRWN: T.YASUI '03/11/23 CH'K: T.IITO APPR: T.IITO	REVISED ①60NO. J2003-1468 DRWN: T.YASUI '02/11/25 CH'K: T.IITO APPR: T.YAMAGUCHI
G	F	E	REV	

MATERIAL 材料	注記参照 SEE NOTES
FINISH 仕上げ	—
WIRE RANGE 適用線径範囲	—
INS. RANGE 被覆外径	—

GENERAL TOLERANCES: (UNLESS SPECIFIED) 一般公差	SCALE 1/1	DESIGN UNITS <input checked="" type="checkbox"/> mm <input type="checkbox"/> INCH
10 UNDER 未満	±0.2	DRAWN BY & DATE S.AIHARA '00/10/5 CHECKED BY & DATE M.SASAO '03/03/31 APPROVED BY & DATE M.SASAO '03/03/31 CAD FILENAME 54722007.S01
10 OVER 30 UNDER 未満	±0.25	
30 OVER 以上	±0.3	
ANGLE 角度	±3°	

MODEL NO. 54722-***		DIMENSIONS: <input type="checkbox"/> mm <input type="checkbox"/> INCH <input checked="" type="checkbox"/> mm ONLY		SHT 2	REV 2
TITLE: 0.5 B-To-B Conn Rec HOUSING Assy (Hgt±1.5mm)		MOLEX INCORPORATED			
MATERIAL NO.	DRAWING NO.	SEE CHART		SD-54722-007	SHEET NO. 1 OF 2
DRAWING CONTAINS INFORMATION THAT IS PROPRIETARY TO MOLEX INCORPORATED AND SHOULD NOT BE USED WITHOUT WRITTEN PERMISSION.					SIZE B



34極以上品形状
SHAPE OF 34 CIRCUITS OR MORE

注記 NOTES:

1. 使用材料 MATERIAL
 ハウジング: 液晶ポリマー ガラス充填, UL94V-0 (黒)
 HOUSING: LIQUID CRYSTAL POLYMER (GLASS FILLED)
 UL94V-0, (COLOR: BLACK)
 ターミナル: リン青銅 (t=0.15)
 TERMINAL: PHOSPHOR BRONZE (t=0.15)
2. メッキ仕様 PLATING
 金メッキ 0.25 MICROMETER MINIMUM (コンタクト部)
 GOLD 0.25 MICROMETER MINIMUM. (CONTACT AREA)
 金メッキ 0.4 MICROMETER MAXIMUM (テール部)
 GOLD 0.4 MICROMETER MAXIMUM. (TAIL AREA)
 下地メッキ: ニッケルメッキ 1.5 MICROMETER MINIMUM
 UNDER PLATING: NICKEL 1.5 MICROMETER MINIMUM

- △ (全極数/2) = 偶数の場合に適用。
 APPLY FOR (CIRCUIT/2)=EVEN.
 4 嵌合相手: 55560 シリーズ, 53794 シリーズ
 MATE WITH: 55560 SERIES, 53794 SERIES.
 5 テール平坦度は、0.1 MAXIMUM.
 TAIL COPLANARITY TO BE 0.1 MAXIMUM.

20.5	19.5	22.6	54722-0801	80
15.5	14.5	17.6	54722-0601	60
13.0	12.0	15.1	54722-0501	50
12.0	11.0	14.1	54722-0461	46
10.5	9.5	12.6	54722-0401	40
9.0	8.0	11.1	54722-0341	34
C	B	A	MATERIAL. NO	極数 CIRCUIT

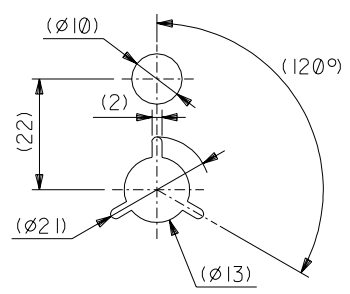
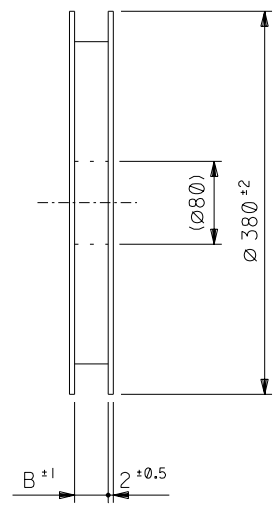
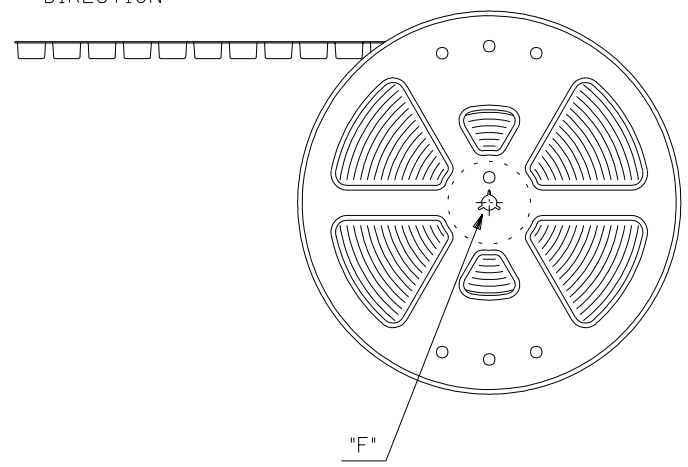
DO NOT SCALE DRAWING

64 NO. DRWN: CH'K: APPR: 63 NO. DRWN: CH'K: APPR: 62 NO. DRWN: CH'K: APPR: 61 NO. DRWN: CH'K: APPR:	REVISED 60 NO. J2003-2517 DRWN: S.AIHARA '02/03/31 CH'K: M.SASAO APPR: M.SASAO	MATERIAL 材料 注記参照 SEE NOTES	GENERAL TOLERANCES: (UNLESS SPECIFIED) 一般公差 10 UNDER 未満 ±0.2 10 OVER 以上 30 UNDER 未満 ±0.25 30 OVER 以上 ±0.3		SCALE 1/1 DESIGN UNITS mm INCH	DIMENSIONS: mm INCH SHT 2 REV 2
			WIRE RANGE 適用層線範囲 INS. RANGE 被覆外径	DRAWN BY & DATE S.AIHARA '01/02/13 CHECKED BY & DATE M.SASAO '03/03/31 APPROVED BY & DATE M.SASAO '03/03/31 CAD FILENAME 54722007.S02	TITLE: 0.5 B-To-B Conn Rec HOUSING Assy (Hgt=1.5mm) MOLEX INCORPORATED	MATERIAL NO. SEE CHART DRAWING NO. SD-54722-007 SHEET NO. 2 OF 2

THIS DRAWING CONTAINS INFORMATION THAT IS PROPRIETARY TO MOLEX INCORPORATED AND SHOULD NOT BE USED WITHOUT WRITTEN PERMISSION. SIZE B

DWG. NO. SD-54722-008

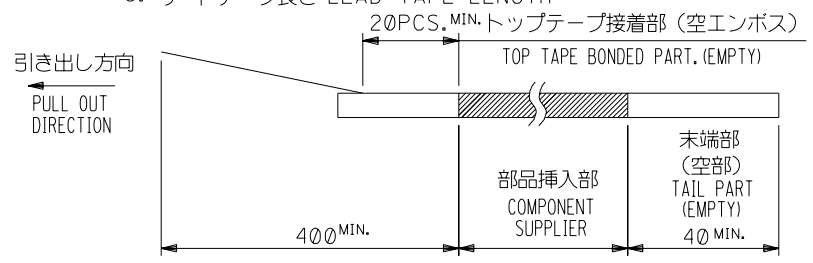
引き出し方向
PULL OUT DIRECTION



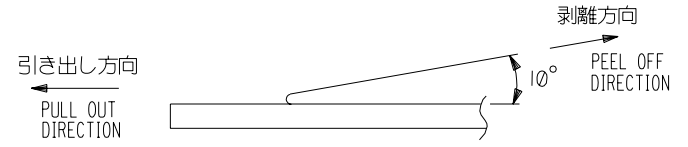
DETAIL "F"

注記 NOTES

- 製品詳細寸法については図面 SD-54722-007 を参照下さい。
RE DETAILED DIMENSION, SEE SD-54722-007
- 梱包数量：3000個/リール
NUMBER OF CONNECTORS：3000PCS/REEL
- リードテープ長さ LEAD TAPE LENGTH



- トップテープの剥離強度：0.1N ~ 0.7N(10.2gf ~ 71.4gf)
(剥離方向は下図参照)
尚、本規格値は出荷時に適用。(但し、輸送時に剥離が発生しないこと。)
PEELING OFF FORCE OF TOP TAPE：0.1N ~ 0.7N(10.2gf ~ 71.4gf)
(PEELING DIRECTION AS SHOWN IN FOLLOWING FIG.)
THIS REQUIREMENT SHOULD BE APPLIED AT SHIPMENT.
PEEL OFF SHOULD NOT BE ALLOWED, DURING TRANSPORTATION.



- 材料
キャリアテープ：ポリプロピレン (PP)
トップテープ：PET, PE, PEF
リール：ポリスチレン (PS) <リサイクル材を含む>

MATERIAL CARRIER TAPE: POLYPROPYLENE
TOP TAPE: PET, PE, PEF
REEL: POLYSTYRENE (PS)
<RECYCLE MATERIAL CONTAINED>

DO NOT SCALE DRAWING

EC NO. DRAWN: CHK'g: APPR:	REVISED EC NO. J2004-1680 DRAWN: K.SETO '03/12/22 CHK'g: H.TAKASE APPR: J.MIYAZAWA	REVISED EC NO. J2003-2517 DRAWN: S.AIHARA '03/03/31 CHK'g: M.SASAO APPR: M.SASAO	REVISED EC NO. J2003-1929 DRAWN: T.YASUI '03/11/23 CHK'g: T.IIO APPR: T.IIO	REVISED EC NO. J2003-1468 DRAWN: T.YASUI '02/11/25 CHK'g: T.IIO APPR: T.YAMAGUCHI	MATERIAL 材料 注記参照 SEE NOTES	GENERAL TOLERANCES: (UNLESS SPECIFIED) 一般公差	SCALE //	MODEL NO. 54722-***7	DIMENSIONS: <input type="checkbox"/> mm <input type="checkbox"/> INCH <input checked="" type="checkbox"/> mm ONLY	SHT	REV
					FINISH 仕上げ //	10 UNDER 未満 30 UNDER 未満	DESIGN UNITS <input checked="" type="checkbox"/> mm <input type="checkbox"/> INCH	THIRD ANGLE PROJECTION	REVISIONS REVISE ON CAD ONLY		
EC NO. DRAWN: CHK'g: APPR:	REVISED EC NO. J2004-1680 DRAWN: K.SETO '03/12/22 CHK'g: H.TAKASE APPR: J.MIYAZAWA	REVISED EC NO. J2003-2517 DRAWN: S.AIHARA '03/03/31 CHK'g: M.SASAO APPR: M.SASAO	REVISED EC NO. J2003-1929 DRAWN: T.YASUI '03/11/23 CHK'g: T.IIO APPR: T.IIO	REVISED EC NO. J2003-1468 DRAWN: T.YASUI '02/11/25 CHK'g: T.IIO APPR: T.YAMAGUCHI	WIRE RANGE 適用層線範囲 //	10 OVER 以上 30 OVER 以上	DRAWN BY & DATE S.AIHARA '00/10/16	TITLE: 0.5 B-To-B Conn Rec Assy (Hgt=1.5) Embstp Pkg	<input checked="" type="checkbox"/> mm <input type="checkbox"/> INCH	MATERIAL NO. 54722008.S01	DRAWING NO. SD-54722-008
					INS. RANGE 被覆外径 //	ANGLE 角度 ±3°	CHECKED BY & DATE M.SASAO '03/03/31				
8	7	7	7	6	5	4	3	2	EN-02J(097) MXJ-54		

54722008.S01

DWG. NO. SD-54722-008

F

D

V

C

B

DO NOT SCALE DRAWING

8 7 6 5 4 3 2 1

F

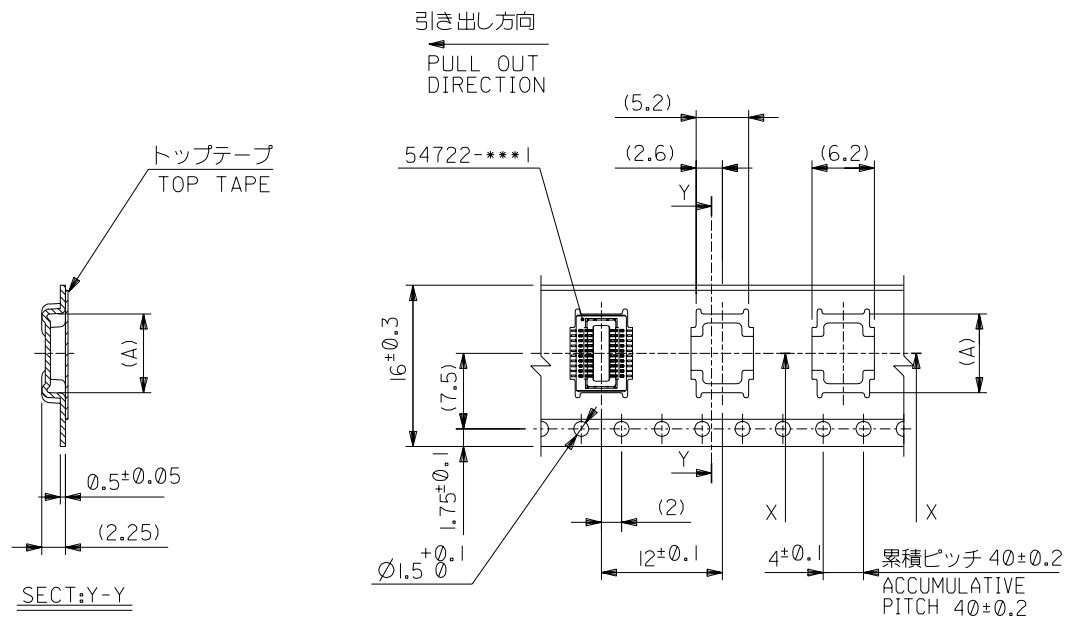
E

D

C

B

A



16mm幅キャリアテープ
16mm WIDTH CARRIER TAPE

16	17.5	7.8	54722-0207	20
キャリアテープ幅 CARRIER TAPE WIDTH		B	(A)	極数 CIRCUIT
MODEL NO.		54722-***7		DIMENSIONS:
				<input type="checkbox"/> mm <input type="checkbox"/> INCH <input checked="" type="checkbox"/> mm ONLY
				SHT REV
				REVISION ON CAD ONLY

EC NO.	REVISED	MATERIAL	GENERAL TOLERANCES:	SCALE	DESIGN UNITS	THIRD ANGLE	TITLE:
DRWN: K.SETO	EC NO. J2004-1680	材料	(UNLESS SPECIFIED)	///	<input checked="" type="checkbox"/> mm <input type="checkbox"/> INCH	<input checked="" type="checkbox"/> PROJECTION	0.5 B-To-B Conn Rec Assy
CHK: H.TAKASE	DRWN: K.SETO '03/12/22	SHEET 1 OF 5 参照	10 UNDER				(Hgt=1.5) Embstp Pkg
APPR: J.MIYAZAWA	CHK: H.TAKASE	REFER TO SHEET 1 OF 5	30 UNDER				
	APPR: J.MIYAZAWA		10 OVER				
			30 OVER				
			ANGLE				

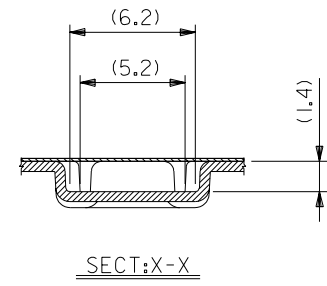
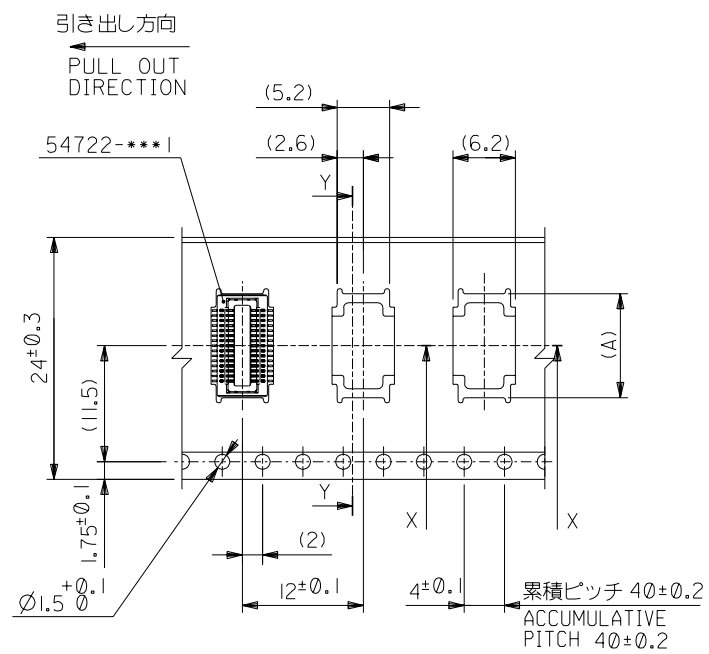
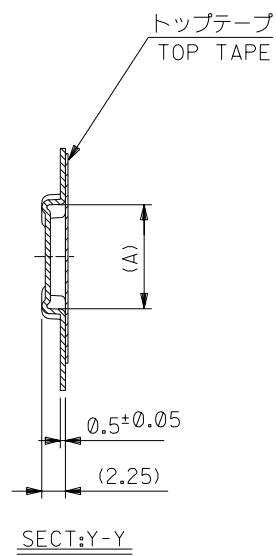
EC NO.	REVISED	FINISH	WIRE RANGE	INS. RANGE
J2003-2517	EC NO. J2003-2517	仕上げ	適用 規格 範囲	被覆 外径
S.AIHARA	DRWN: S.AIHARA '03/03/31	//	//	//
M.SASAO	CHK: M.SASAO			
M.SASAO	APPR: M.SASAO			

EC NO.	REVISED	DESCRIPTION
J2003-1468	EC NO. J2003-1468	
T.YASUI	DRWN: T.YASUI '02/11/25	
T.IITO	CHK: T.IITO	
T.IITO	APPR: T.IITO	

DRAWN BY & DATE	TITLE:	
S.AIHARA '00/10/16	0.5 B-To-B Conn Rec Assy	
CHECKED BY & DATE	(Hgt=1.5) Embstp Pkg	
M.SASAO '03/03/31		
APPROVED BY & DATE	MOLEX INCORPORATED	
M.SASAO '03/03/31		
CAD FILENAME	MATERIAL NO.	DRAWING NO.
54722008.S02	SEE CHART	SD-54722-008
		SHEET NO.
		2 OF 5
THIS DRAWING CONTAINS INFORMATION THAT IS PROPRIETARY TO MOLEX INCORPORATED AND SHOULD NOT BE USED WITHOUT WRITTEN PERMISSION.		SIZE
		B

8 7 6 5 4 3 2 1 EN-02J(097) MXJ-54

8 7 6 5 4 3 2 1



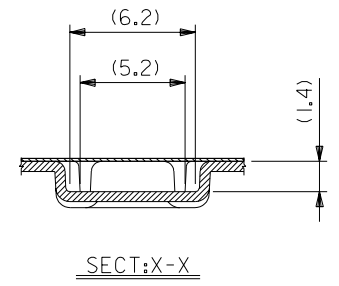
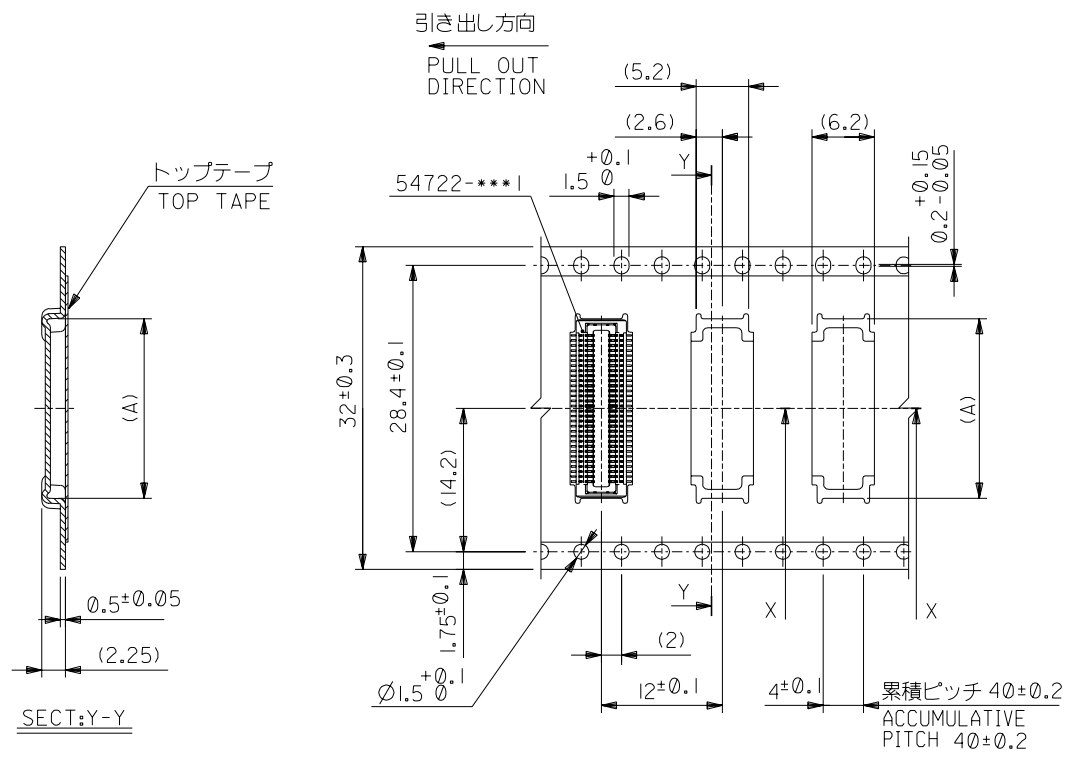
24mm幅キャリアテープ
24mm WIDTH CARRIER TAPE

24	25.5	15.3	54722-0507	50	
		14.3	54722-0467	46	
		12.8	54722-0407	40	
		11.3	54722-0347	34	
		10.3	54722-0307	30	
		8.8	54722-0247	24	
		8.3	54722-0227	22	
キャリアテープ幅 CARRIER TAPE WIDTH		B	(A)	MATERIAL NO.	極数 CIRCUIT
MODEL NO.		54722-***7		DIMENSIONS: SHT REV UNLESS SPECIFIED	

EC NO.	REVISED	SHEET 1 OF 5 参照 REFER TO SHEET 1 OF 5	
DRWN: K.SETO '03/12/22	EC NO. J2004-1680	FINISH 仕上げ	//
CHK: H.TAKASE	DRWN: S.AIHARA '03/03/31	WIRE RANGE 適用層線範囲	//
APPR: J.MIYAZAWA	CHK: M.SASAO	INS. RANGE 被覆外径	//
	APPR: M.SASAO		
	REVISED		
	EC NO. J2003-1929		
	DRWN: T.YASUI '03/11/23		
	CHK: T.IIO		
	APPR: T.IIO		
	REVISED		
	EC NO. J2003-1468		
	DRWN: T.YASUI '02/11/25		
	CHK: T.IIO		
	APPR: T.YAMAGUCHI		
	DESCRIPTION		

GENERAL TOLERANCES: (UNLESS SPECIFIED) 一般公差	SCALE	DESIGN UNITS	THIRD ANGLE PROJECTION
10 UNDER 未滿	//	mm <input checked="" type="checkbox"/> INCH <input type="checkbox"/>	<input type="checkbox"/> THIRD ANGLE PROJECTION
10 OVER 以上 30 UNDER 未滿	±0.2	mm <input type="checkbox"/> INCH <input type="checkbox"/>	
30 OVER 以上	±0.25	mm ONLY	
ANGLE 角度	±0.3		
	±3°		

DRAWN BY & DATE S.AIHARA '00/10/ 6	TITLE: 0.5 B-To-B Conn Rec Assy (Hgt=1.5) Embstp Pkg
CHECKED BY & DATE M.SASAO '03/03/31	MOLEX INCORPORATED
APPROVED BY & DATE M.SASAO '03/03/31	
CAD FILENAME 54722008.S03	MATERIAL NO. SEE CHART
	DRAWING NO. SD-54722-008
	SHEET NO. 3 OF 5
THIS DRAWING CONTAINS INFORMATION THAT IS PROPRIETARY TO MOLEX INCORPORATED AND SHOULD NOT BE USED WITHOUT WRITTEN PERMISSION.	
	SIZE B



32mm幅キャリアテープ
32mm WIDTH CARRIER TAPE

32	33.5	17.8	54722-0607	60
キャリアテープ幅 CARRIER TAPE WIDTH		B	(A)	極数 CIRCUIT
MODEL NO.		54722-***7		DIMENSIONS:
				mm INCH mm ONLY

EC NO.	REVISED	EC NO.	REVISED	EC NO.	REVISED	EC NO.	REVISED	EC NO.	REVISED	EC NO.	REVISED
DRWN: K.SETO '03/12/22	EC NO. J2004-1680	DRWN: S.AIHARA '03/03/31	EC NO. J2003-2517	DRWN: T.YASUI '03/11/23	EC NO. J2003-1929	DRWN: T.YASUI '02/11/25	EC NO. J2003-1468	DRWN: T.YASUI '02/11/25	EC NO. J2003-1468	DRWN: T.YASUI '02/11/25	DRWN: T.YASUI '02/11/25
CHK: H.TAKASE	CHK: H.TAKASE	CHK: M.SASAO	CHK: M.SASAO	CHK: T.IITO	CHK: T.IITO	CHK: T.IITO	CHK: T.IITO	CHK: T.IITO	CHK: T.IITO	CHK: T.IITO	CHK: T.IITO
APPR: J.MIYAZAWA	APPR: J.MIYAZAWA	APPR: M.SASAO	APPR: M.SASAO	APPR: T.IITO	APPR: T.IITO	APPR: T.IITO	APPR: T.IITO	APPR: T.IITO	APPR: T.IITO	APPR: T.IITO	APPR: T.IITO

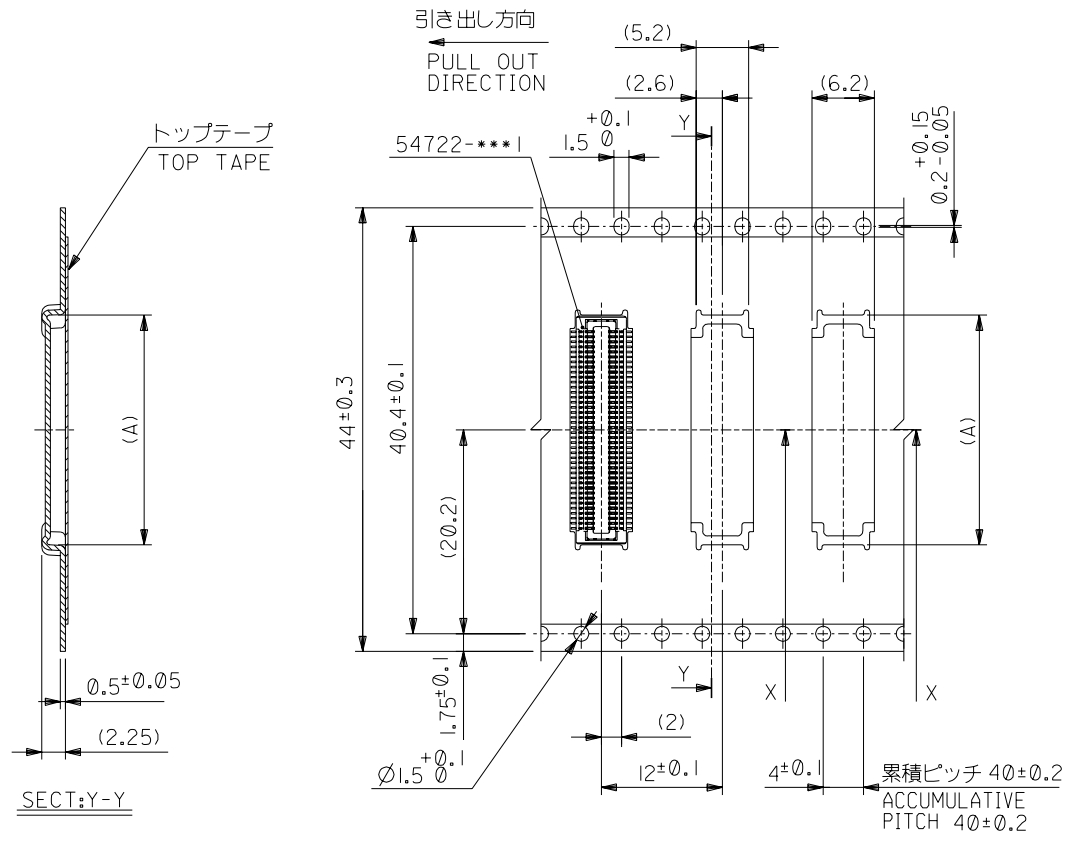
MATERIAL 材料	SHEET 1 OF 5 参照 REFER TO SHEET 1 OF 5
FINISH 仕上げ	//
WIRE RANGE 適用線径範囲	//
INS. RANGE 被覆外径	//

GENERAL TOLERANCES: (UNLESS SPECIFIED) 一般公差	SCALE //	DESIGN UNITS mm INCH	THIRD ANGLE PROJECTION
10 UNDER 未満	±0.2	DRAWN BY & DATE T.YASUI '02/11/25	TITLE: 0.5 B-To-B Conn Rec Assy (Hgt=1.5) Embstp Pkg
10 OVER 以上	±0.25	CHECKED BY & DATE M.SASAO '03/03/31	APPROVED BY & DATE M.SASAO '03/03/31
30 UNDER 未満	±0.3	MATERIAL NO. SD-54722-008	
30 OVER 以上	±3°	DRAWING NO. EN-02J(097) MXJ-54	

CAD FILENAME 54722008.S05	MATERIAL NO. SEE CHART	DRAWING NO. SD-54722-008	SHEET NO. 4 OF 5
THIS DRAWING CONTAINS INFORMATION THAT IS PROPRIETARY TO MOLEX INCORPORATED AND SHOULD NOT BE USED WITHOUT WRITTEN PERMISSION.			SIZE B

DO NOT SCALE DRAWING

DWG. NO. SD-54722-008



44mm幅キャリアテープ
44mm WIDTH CARRIER TAPE

44	45.5	22.8	54722-0807	80
キャリアテープ幅 CARRIER TAPE WIDTH		B	(A)	極数 CIRCUIT
MODEL NO.		54722-***7		DIMENSIONS:
				<input type="checkbox"/> mm <input type="checkbox"/> INCH <input checked="" type="checkbox"/> mm ONLY
				SHT REV
				REVISE ON CAD ONLY

EC NO.	REVISED	EC NO.	REVISED	EC NO.	REVISED	EC NO.	REVISED
DRWN: K.SETO '03/12/22	EC NO. J2004-1680	DRWN: S.AIHARA '03/03/31	EC NO. J2003-2517	DRWN: T.YASUI '03/11/23	EC NO. J2003-1929	DRWN: T.YASUI '02/11/25	EC NO. J2003-1468
CHK: H.TAKASE	DRWN: J.MIYAZAWA	CHK: M.SASAO	DRWN: S.AIHARA '03/03/31	CHK: T.IITO	DRWN: T.YASUI '03/11/23	CHK: T.IITO	DRWN: T.YASUI '02/11/25
APPR: J.MIYAZAWA	APPR: J.MIYAZAWA	APPR: M.SASAO	APPR: M.SASAO	APPR: T.IITO	APPR: T.IITO	APPR: T.YAMAGUCHI	APPR: T.YAMAGUCHI

MATERIAL 材料	SHEET 1 OF 5 参照 REFER TO SHEET 1 OF 5	
FINISH 仕上げ	//	
WIRE RANGE 適用線径範囲	//	
INS. RANGE 被覆外径	//	

GENERAL TOLERANCES: (UNLESS SPECIFIED) 一般公差	SCALE 1/1	DESIGN UNITS <input checked="" type="checkbox"/> mm <input type="checkbox"/> INCH
10 UNDER 未満	±0.2	
10 OVER 以上 30 UNDER 未満	±0.25	
30 OVER 以上	±0.3	
ANGLE 角度	±3°	

DRAWN BY & DATE T.YASUI '02/03/06	TITLE: 0.5 B-To-B Conn Rec Assy (Hgt=1.5) Embstp Pkg
CHECKED BY & DATE M.SASAO '03/03/31	MOLEX INCORPORATED
APPROVED BY & DATE M.SASAO '03/03/31	
CAD FILENAME 54722008.S04	MATERIAL NO. SEE CHART
	DRAWING NO. SD-54722-008
	SHEET NO. 5 OF 5
THIS DRAWING CONTAINS INFORMATION THAT IS PROPRIETARY TO MOLEX INCORPORATED AND SHOULD NOT BE USED WITHOUT WRITTEN PERMISSION.	
	SIZE B

DO NOT SCALE DRAWING