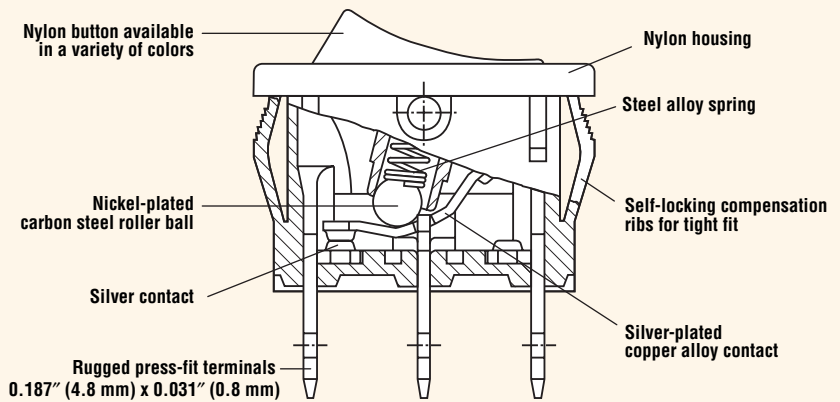


DOUBLE-POLE ROCKER SWITCH

FR Series

Features

- 12 amp switching in a compact design
- Single-throw and double-throw options
- Choice of actuator and housing color
- Mechanical life: min. 50,000 operations



Electrical Ratings

Switch Series	EN61058 Rating	UL1054 Rating	Electrical Life at Rated Load	
			According to VDE (Min. Operations)	According to UL (Min. Operations)
FR	16(4)A, 250V~, T125/55	12A, 125/250VAC	10,000	6,000

Specifications

Electrical

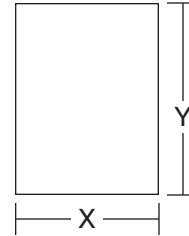
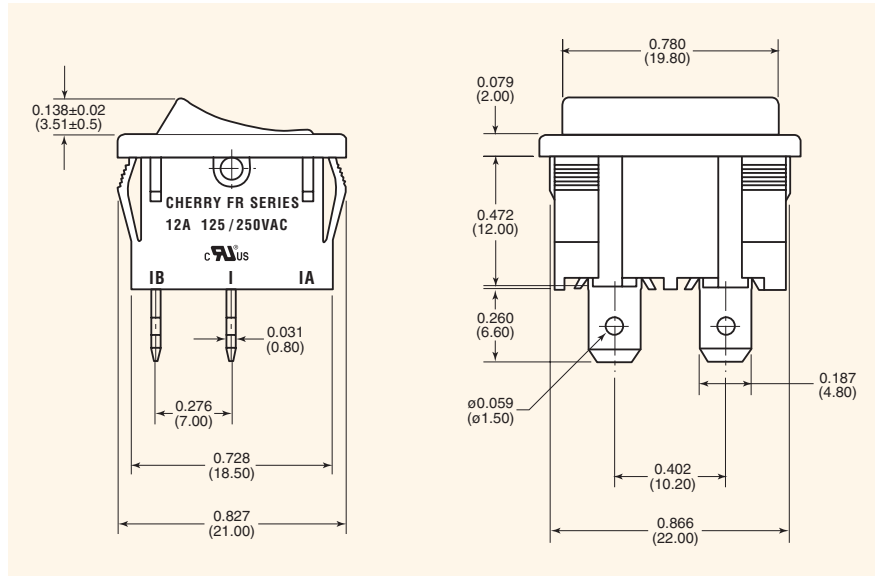
Ratings:	12A, 125/250VAC (UL, cUL) 16A, (4) 250V~, T125/55 (VDE)
Dielectric Strength:	1000VAC for 1 minute
Insulation Resistance:	10 ⁸ ohms min at 500VDC
Initial Contact Resistance:	0.030 ohms max
Temperature Range:	-20°C to +125°C (VDE) -20°C to +55°C (UL)

Materials

Actuator:	Nylon 66 94V-2
Base:	Nylon 66 94V-2
Spring:	Steel Wire
Contacts:	Silver Alloy
Movable Arm:	Silver-Plated Copper Alloy
Terminals:	Tin-Plated Copper Alloy



Dimensions inches (mm)



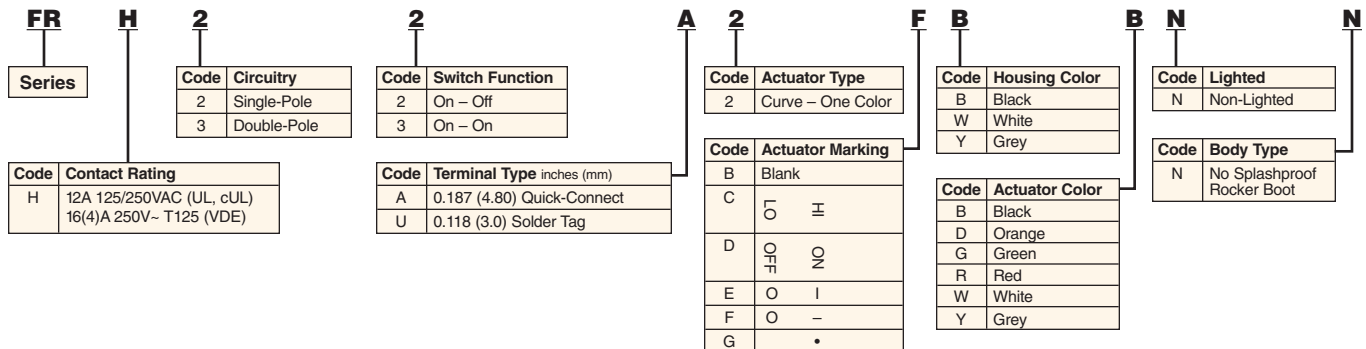
Z = Panel Thickness

Recommended Panel Cut-Out Dimensions

inches (mm) ±0.002 (0.005)

Dim. Z	Dim. X	Dim. Y
0.030 to 0.049 (0.76 to 1.25)	0.752 (19.15)	0.862 (21.90)
0.049 to 0.079 (1.24 to 2.00)	0.760 (19.35)	0.862 (21.90)
0.079 to 0.118 (2.01 to 3.00)	0.775 (19.75)	0.862 (21.90)

Ordering Information



Examples of Common Part Numbers and Descriptions inches (mm)

Part Number	Circuitry	Switch Function	Terminal Type	Actuator/Housing Color	Legend Marking
FRH32A2DBBNN		On - Off	0.187 (4.80) Quick-Connect	Black/Black	
FRH33A2BBBNN		On - On	0.187 (4.80) Quick-Connect	Black/Black	
FRH32A2BBBNN		On - Off	0.187 (4.80) Quick-Connect	Black/Black	
FRH32A2FWWNN		On - Off	0.187 (4.80) Quick-Connect	White/White	
FRH32A2BBWNN		On - Off	0.187 (4.80) Quick-Connect	White/Black	
FRH32A2FBBNN		On - Off	0.187 (4.80) Quick-Connect	Black/Black	