

110-Series Heavy Action Toggle Switches



The 110-Series is a compactly designed, versatile metal construction toggle switch which is appropriate for a variety of uses. Features include single or double pole options, maintained or momentary construction with termination choices including solder lug end or bottom, wire leads and .250 tab terminals. The quick make/quick break contact mechanism makes the switch suitable for high voltage (125-250 volt) applications. This switch is popular within the Small Appliance, Floor Maintenance, and most low current AC/DC market segments.

Dielectric Strength

UL/CSA: 1000 - live to dead metal parts & opposite polarity

Electrical Life

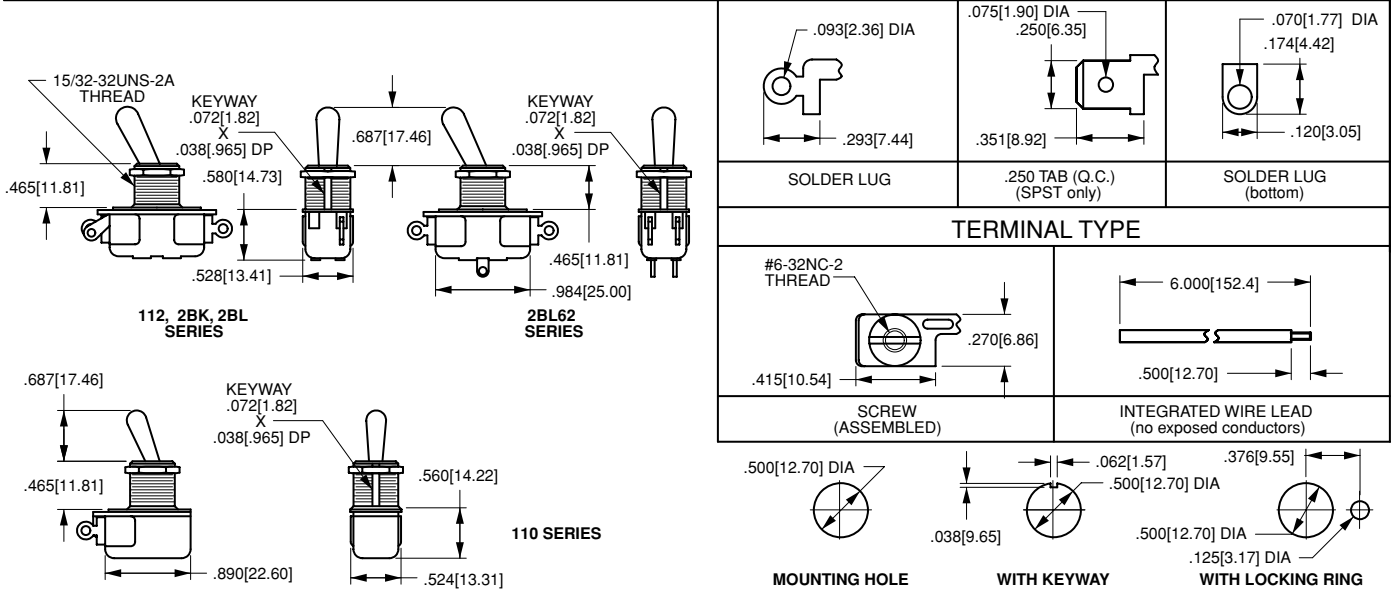
25,000 cycles

Mechanical Life

50,000 cycles

Operating Temperature

0°F to 150°F (-17.8°C to +65.6°C)



110-S - 73

¹ Base Part Number

² Actuator Style

1 BASE PART NUMBER: SERIES/CIRCUITRY¹/RATING/TERMINATION²

3A 250V, 6A 125V, AC/DC

	solder lug (end)	solder lug (bottom)	screw terminals	wire leads
Single Pole				
ON-NONE-OFF	110	110-B	110-S	111-16
OFF-NONE-(ON)	110-M-NO	110-BM-NO	110-SM-NO	111-16M-NO
ON-NONE-(OFF)	110-M-NC	110-BM-NC	110-SM-NC	111-16M-NC

Double Pole

ON-NONE-OFF	2BK62	-	-	2BK65
ON-NONE-ON	2BL62	-	-	2BL65

1A 250V, 3A 125V, AC/DC

Single Pole

ON-NONE-ON	112	-	-	112-A
ON-NONE-(ON)	112-M	-	-	112-M-A

Double Pole

ON-NONE-OFF	216	-	-	216A
OFF-NONE-(ON)	216-M-NO	-	-	216A-M-ANO
ON-NONE-(OFF)	216-M-NC	-	-	216A-M-ANC

ON-NONE-ON

ON-NONE-ON	316	316-B	-	-
ON-NONE-(ON)	316-M	316-BM	-	-

2 circuit

1 ON - 1 OFF	516	516-B	-	516-A
1 (ON) - 1 (OFF)	516-M	516-BM	-	516-AM

6A 120VAC

Single Pole

ON-NONE-ON	2BB62	-	-	2BB65
------------	-------	---	---	-------

5A 250V, 10A 125V, 1/4HP, 125V

Single Pole

ON-NONE-OFF	160H	160H-B	160H-S	160H-A
-------------	------	--------	--------	--------

2 ACTUATOR STYLE

BAT STYLE TOGGLE

unsealed	sealed	toggle length	bushing length
52	57	0.375	0.343
63	68	0.500	0.465
73	78	0.687	0.465

BALL STYLE TOGGLE

unsealed	sealed	toggle length	bushing length
21	-	0.375	0.250
22	-	0.375	0.343
25	-	0.375	0.875

NOTES

- Momentary function only available with 73 toggles.
 - 160H and 110-Series are available with .250 tab terminals. Add suffix /TABS to end of part number. ex. 110-73/TABS
- () Indicates momentary function.