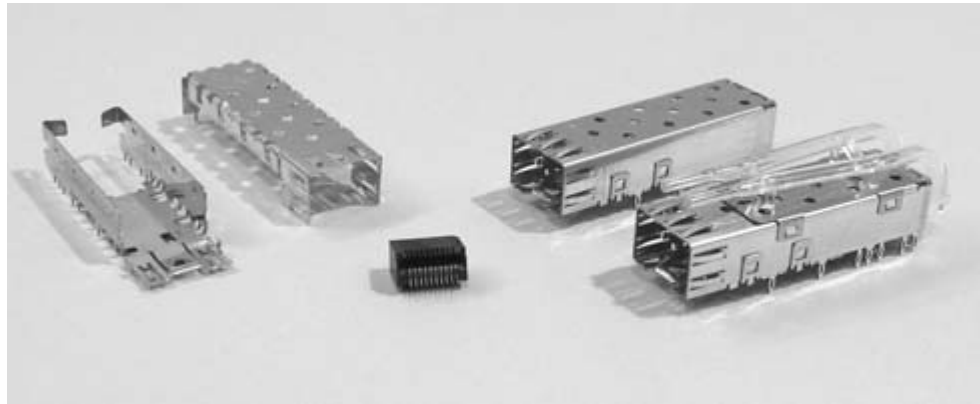


Small Form-factor Pluggable (SFP) System — Single Port

Product Facts

- RoHS Compliant
- Used in conjunction with 20 pin SMT SFP Connector
- Offers full metal housing for superior grounding and EMI suppression
- Solder, SMT, and Press Fit configurations available
- Single piece and two piece available
- Hot Swappable
- Compatible with SFP MSA Compliant Modules
- UL/CSA Report File E28476
- Connector supports data rates beyond 10 Gb/s
- Chassis grounds for pass through EMI protection to 12.5 Gb/s



Tyco Electronics, continuing to support the OEM market with high speed I/O product, offers a full line of Small Form-factor Pluggable (SFP) products, including SFP cages, connectors, dust caps, and

SFP direct attach cable assemblies. The SFP system can be used with any SFP MSA compliant optic or copper module. The cage system is a copper alloy with nickel sub-plate with a matte tin finish.

The SFP system is part of the Tyco Electronics family of Pluggable I/O solutions.

Applications

- Fiber Channel
- Fast/Gigabit Ethernet
- ATM/SONET/SDH
- InfiniBand (IB)

Technical Documents

Instruction Sheet

408-8495 SFP Connector and Cage Assembly

Application Specification

114-13017 SFP Connector a SMT Cage Assembly
 114-13120 SFP Connector and Press Fit Cage Assy

Product Specifications

108-1949 SFP Connector
 108-1950 SFP Cage

SFP Documentation

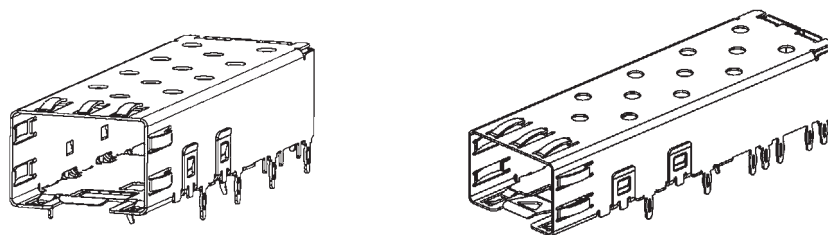
INF-8074

Part Number	Description	Belly-to-Belly Applications
6367034-1	SFP Bottom Cage (2 pc SMT)	Yes
6367035-1	SFP Top Cage (2 pc)	Yes
1489669-1	One Piece Press Fit	Yes
1489779-1	One Piece Press Fit	No
1489962-1	One Piece SMT or Wave Solder	No
1367629-1	One Piece Press Fit w/Light Pipes	No

Related Products

Part Number	Description
1367073-1	20 pin, surface mount connector; 15µm gold plating
1367073-2	20 pin, surface mount connector; 30µm gold plating
1658197-1	20 pin, surface mount connector; 30µm gold plating with contact surface treatment
1888247-1	20 pin, surface mount connector; enhanced contact formation
1367147-1	SFP Dust Cap with AMP logo
1367147-3	SFP Dust Cap without AMP logo

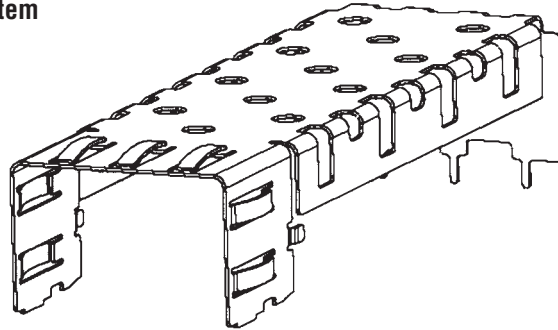
Note: For a listing of SFP Direct Attach Cable Assemblies, refer to page 12.



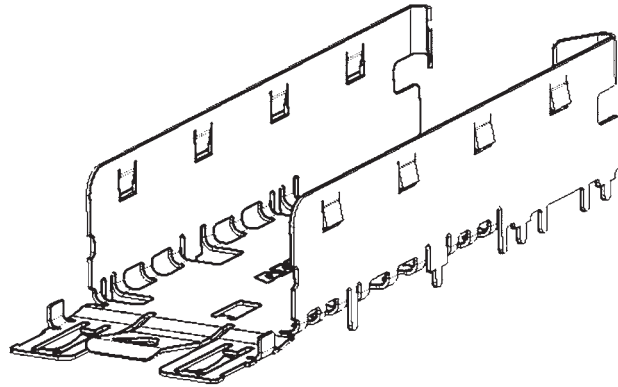
Note: All part numbers are RoHS compliant.

SFP Top Plate
Part Number 6367035-1

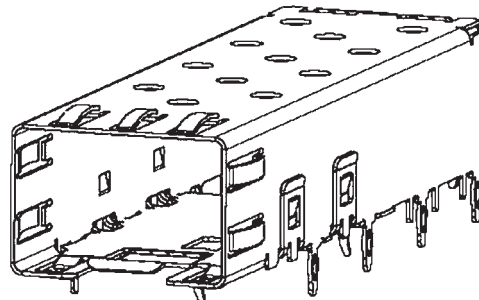
2 Pc Cage System



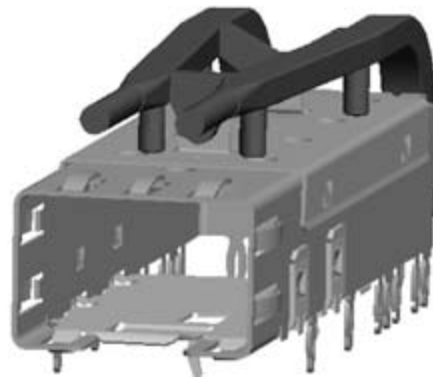
SFP Bottom Plate
Part Number 6367034-1



SFP Press Fit Cage Assembly
Part Number 1489669-1



SFP Press Fit Cage Assembly with Light Pipe Assembly
Part Number 1367629-1



Note: All part numbers are RoHS compliant.