

F		G
Amend. No	Amend. Rec.	Amend. Date

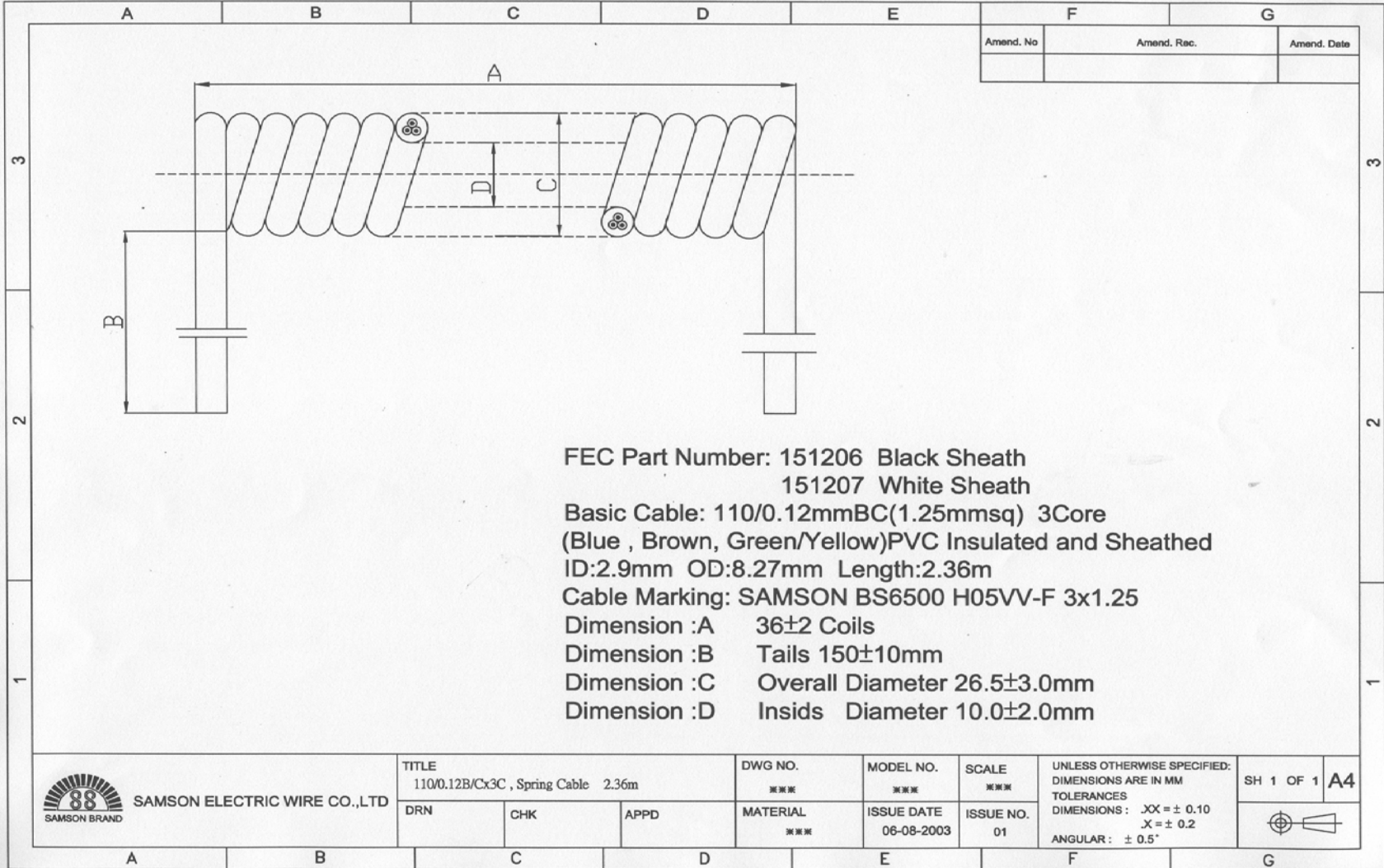
FEC Part Number: 151202 Black Sheath
151203 White Sheath
Basic Cable: 18/0.12B/Cx3C (0.22mmsq) 3Core
(Blue , Brown, Green/Yellow)PVC Insulated and Sheathed
ID:1.5mm OD:5.3mm Length:1.5m
Dimension :A 25±2 Coils
Dimension :B Tails 150±10mm
Dimension :C Overall Diameter 20.6±3.0mm
Dimension :D Insids Diameter 10.0±2.0mm



SAMSON ELECTRIC WIRE CO.,LTD

TITLE 18/0.12B/Cx3C , Spring Cable 1.5m			DWG NO. ***	MODEL NO. ***	SCALE ***	UNLESS OTHERWISE SPECIFIED: DIMENSIONS ARE IN MM TOLERANCES DIMENSIONS : .XX = ± 0.10 X = ± 0.2 ANGULAR : ± 0.5°	SH 1 OF 1 A4
DRN	CHK	APPD	MATERIAL ***	ISSUE DATE 06-08-2003	ISSUE NO. 01		

A B C D E F G



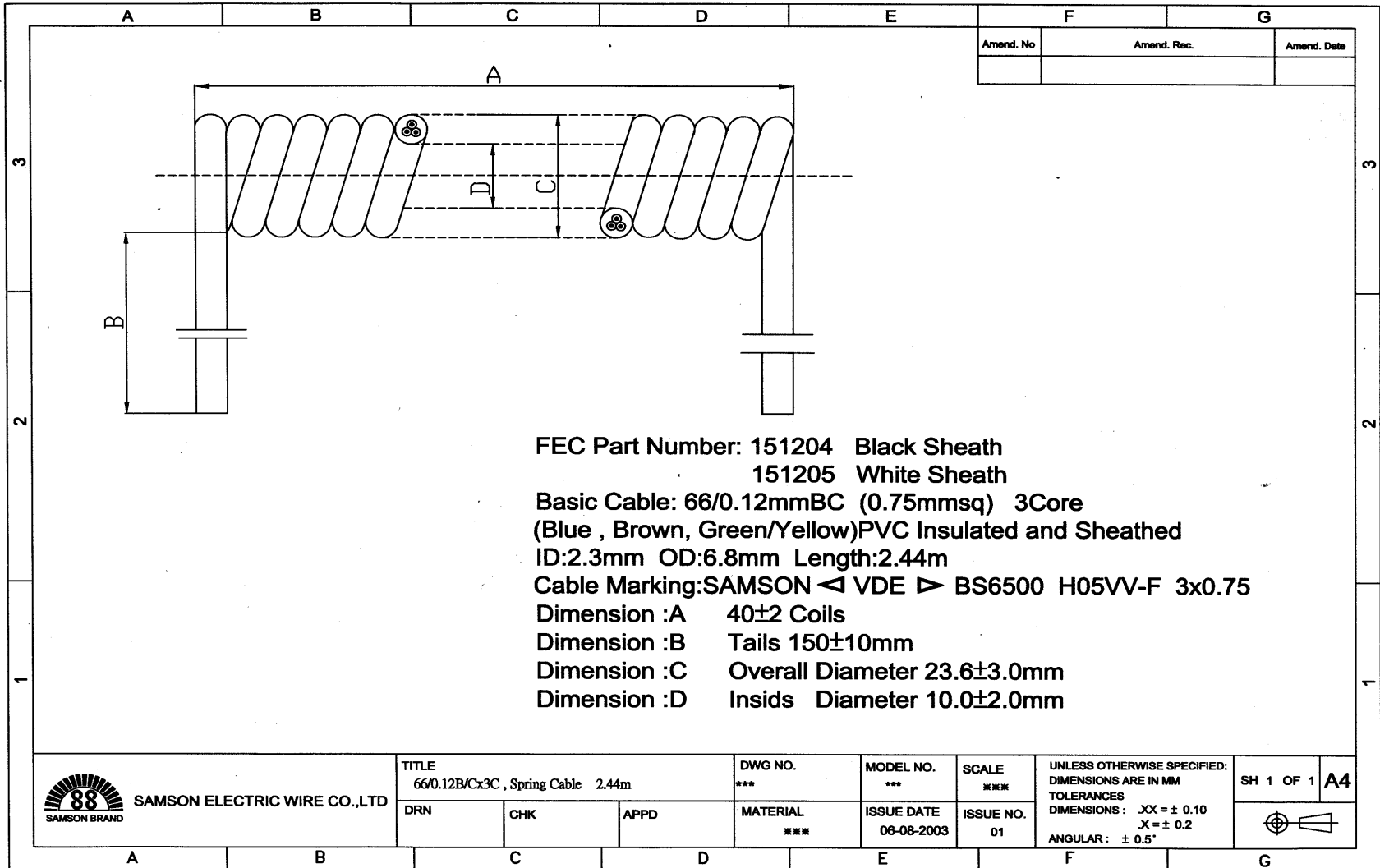
Amend. No	Amend. Rec.	Amend. Date

FEC Part Number: 151206 Black Sheath
 151207 White Sheath
 Basic Cable: 110/0.12mmBC(1.25mmsq) 3Core
 (Blue , Brown, Green/Yellow)PVC Insulated and Sheathed
 ID:2.9mm OD:8.27mm Length:2.36m
 Cable Marking: SAMSON BS6500 H05VV-F 3x1.25
 Dimension :A 36±2 Coils
 Dimension :B Tails 150±10mm
 Dimension :C Overall Diameter 26.5±3.0mm
 Dimension :D Insids Diameter 10.0±2.0mm



SAMSON ELECTRIC WIRE CO.,LTD

TITLE 110/0.12B/Cx3C , Spring Cable 2.36m			DWG NO. ***	MODEL NO. ***	SCALE ***	UNLESS OTHERWISE SPECIFIED: DIMENSIONS ARE IN MM TOLERANCES DIMENSIONS : XX = ± 0.10 X = ± 0.2 ANGULAR : ± 0.5°	SH 1 OF 1 A4
DRN	CHK	APPD	MATERIAL ***	ISSUE DATE 06-08-2003	ISSUE NO. 01		



F		G
Amend. No	Amend. Rec.	Amend. Date

FEC Part Number: 151204 Black Sheath
 151205 White Sheath
 Basic Cable: 66/0.12mmBC (0.75mmsq) 3Core
 (Blue , Brown, Green/Yellow)PVC Insulated and Sheathed
 ID:2.3mm OD:6.8mm Length:2.44m
 Cable Marking:SAMSON ◁ VDE ▷ BS6500 H05VV-F 3x0.75
 Dimension :A 40±2 Coils
 Dimension :B Tails 150±10mm
 Dimension :C Overall Diameter 23.6±3.0mm
 Dimension :D Insids Diameter 10.0±2.0mm



SAMSON ELECTRIC WIRE CO.,LTD

TITLE 66/0.12B/Cx3C , Spring Cable 2.44m			DWG NO. ***	MODEL NO. ***	SCALE ***	UNLESS OTHERWISE SPECIFIED: DIMENSIONS ARE IN MM TOLERANCES DIMENSIONS : XX = ± 0.10 X = ± 0.2 ANGULAR : ± 0.5°	SH 1 OF 1	A4
DRN	CHK	APPD	MATERIAL ***	ISSUE DATE 06-08-2003	ISSUE NO. 01			

