

MICRO SWITCH

A DIVISION OF MINNEAPOLIS-HONEYWELL REGULATOR COMPANY
FREDERICK, MINNESOTA

FED. MFR. CODE 91929

ASSEMBLY-SWITCH

CATALOG LISTING

IAC2

5

(M) IAC2
ISSUE II

IAC2

M

DRAWING NUMBER

1213

ISSUE

REVISIONS

A	CO15200	MBF	17 OCT 60
B	CO 61338	GRT	28 MAY 67

REPLACES

RELEASE NO.

CHECK

CHECK

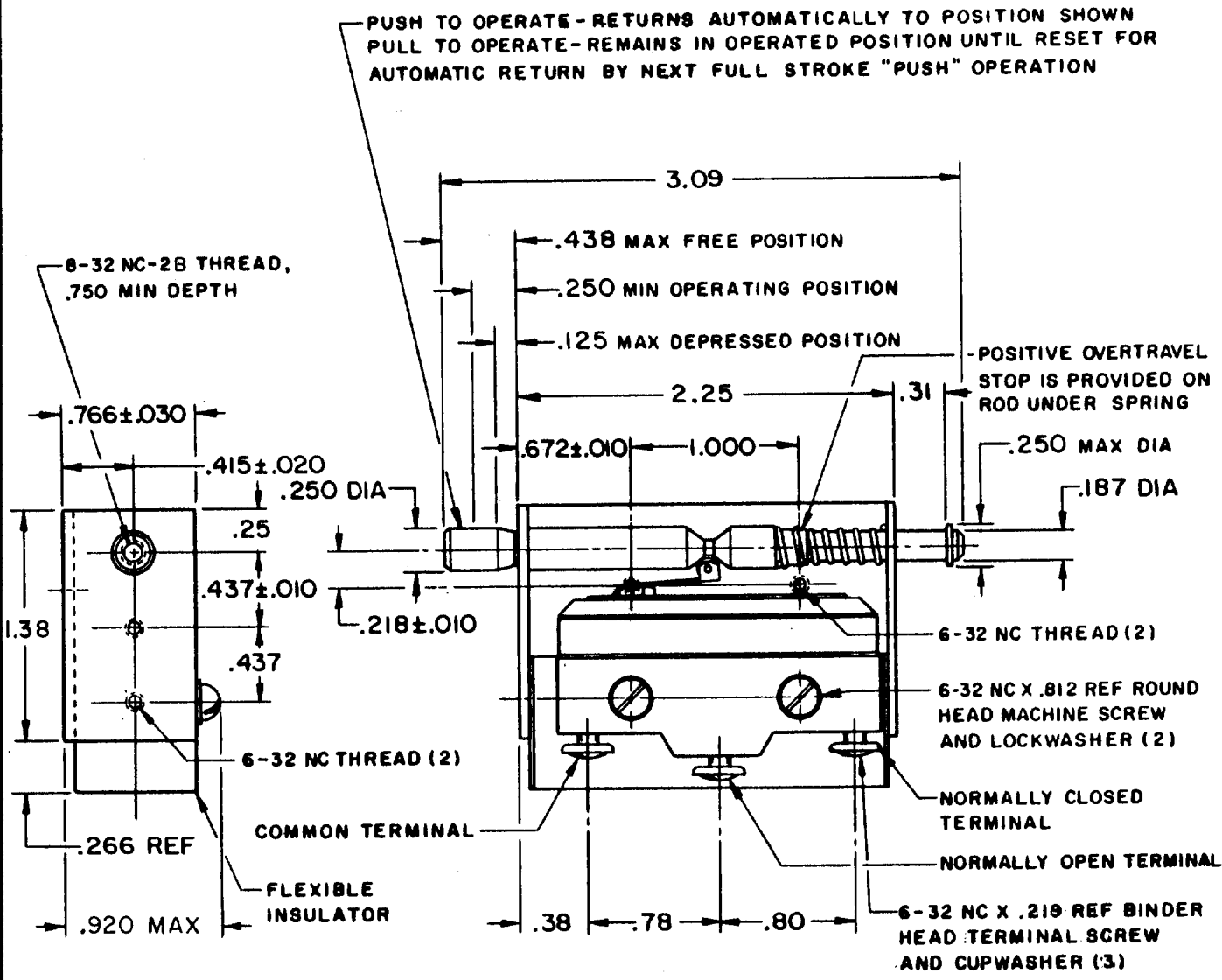
DAW 21 OCT 60

CHECK

17 OCT 60

MBF

FO-50378



PUSH TO OPERATE - RETURNS AUTOMATICALLY TO POSITION SHOWN
PULL TO OPERATE - REMAINS IN OPERATED POSITION UNTIL RESET FOR
AUTOMATIC RETURN BY NEXT FULL STROKE "PUSH" OPERATION

NOTE -
1-UNIT INCLUDES CAT. LIST. BZ-2RL711 BASIC SWITCH
2-NOTCH IN ACTUATOR ROD WILL PERMIT .035 DISPLACEMENT
BETWEEN END OF ROD AND HOLE IN BRACKET

THIS DRAWING COVERS A PROPRIETARY ITEM AND IS THE PROPERTY OF MICRO SWITCH, A DIVISION OF MINNEAPOLIS-HONEYWELL REGULATOR CO. THIS DRAWING IS NOT TO BE COPIED OR USED WITHOUT THE APPROVAL OF MICRO SWITCH.

CHARACTERISTICS	ELECTRICAL DATA		SCALE FULL
TOTAL TRAVEL-.312 APPROX PUSH DIRECTION .312 APPROX PULL DIRECTION	CONTACT ARRANGEMENT S P D T	BREAK DISTANCE .020 MIN	DO NOT SCALE PRINT
FULLY DEPRESSED FORCE --- -3 1/2 LBS	TS A-125, 250 OR 480 VAC 1/2 A-125 VDC; 1/4 A-250 VDC		UNLESS OTHERWISE SPECIFIED DIMENSIONS ARE IN INCHES TOLERANCES ARE: ONE PLACE (.0) ±.030 TWO PLACE (.00) ±.015 THREE PLACE (.000) ±.005 ANGLES ±
			WEIGHT .190 LB