



product details

**HTM 150/230-240 UNV1**

Product description: HTM 150/230-240 UNV1  
EAN/ Product: 4050300581415  
Quantity: Unpacked (UNV) contains 1 Piece (PCE)

You can find this product in the eCatalog:

[http://catalog.myosram.com?~language=EN&~country=COM&it\\_p=4050300581415](http://catalog.myosram.com?~language=EN&~country=COM&it_p=4050300581415)

Applications	
Dimmable	Yes
Dimmer	trailing or leading edge phase control for inductive load dimmers
Type of protection	IP20
Protection against ignition and fire	F, MM
Short-circuit protection	automatic reversible
Overload protection	automatic reversible
Overtemperature protection	automatic reversible

General Description	
Design / version	compact
SEG no.	5280333
Standards	acc. to EN 55015   acc. to EN 61000-3-2   acc. to EN 61547   acc. to EN 61347   acc.to EN 61047
Sstl-Number	4031030

Technical - Electrical Data	
Operating frequency	≈ 40 kHz
Mains frequency	50-60 Hz
Device power loss	... 7 W <sup>1)</sup>
Lamp wattage	50 ... 150 W
Power factor c	0.99
Nominal voltage	230-240 V
Output voltage	11.4 (150 W)/11.5 (50 W) V
IP inrush current	1.1 A
Max. no. of ECGs on circuit breaker 10A	16
Max. no. of ECGs on circuit breaker 16A	26

Technical - Geometries	
Width	54 mm
Height	36 mm
Wire preparation length, output side	cable sheath 12 mm, wire 8 mm
Wire preparation length, input side	cable sheath 12 mm, wire 8 mm
Length	153 mm
Max. cable length - system in meters	2 m

Technical - Temperatures	
Max. casing temp. in case of fault	110 °C
Max. operating temp. at the Tc point	80 °C
Ambient temperature range	0 ... +45 °C
Storage temperature	-40 ... 85 °C
Relative humidity	5 ... 85 % <sup>2)</sup>



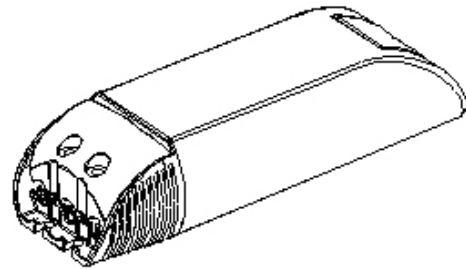
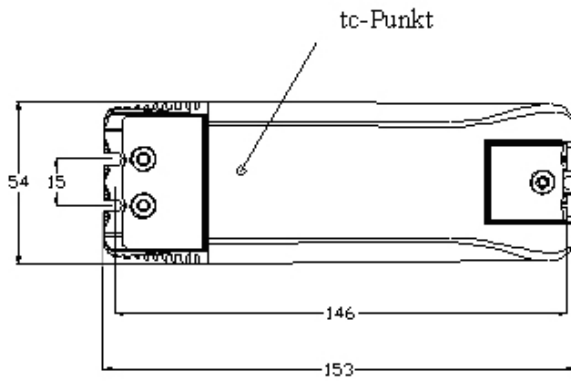
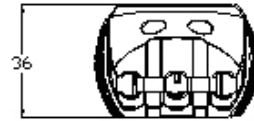
product details

## HTM 150/230-240 UNV1

Packaging units				
EAN	Packaging type and content	Dimensions in h x w x l	Gross weight	Volume
4050300581415	Unpacked contains 1 Piece	55,000 mm x 35,000 mm x 152,000 mm	192,500 g (0,000 g)	0,293 Cubic dec.
4050300581422	Shipping carton box contains 10 Piece	166,000 mm x 98,000 mm x 276,000 mm	1.998,000 g (0,000 g)	4,490 Cubic dec.

1) maximum

2) max. 56 d/y at 85%



Max. allowed temperature at test point in normal operation:  $t_c \leq 80 \text{ }^\circ\text{C}$

To meet the radio protection standard, a minimal distance of 40 cm to grounded areas must be maintained when installing a transformer with more than 3 output lines.