

MATERIAL:
 HOUSING MATERIAL: PPS
 COLOR: BEIGE
 ACTUATOR MATERIAL: PPS
 COLOR: BROWN
 CONTACT MATERIAL: PHOSPOR BRONZE
 CONTACT PLATING: 100µ TIN OVER 50µ NI
 QUALITY CLASS: 25 MATING CYCLES

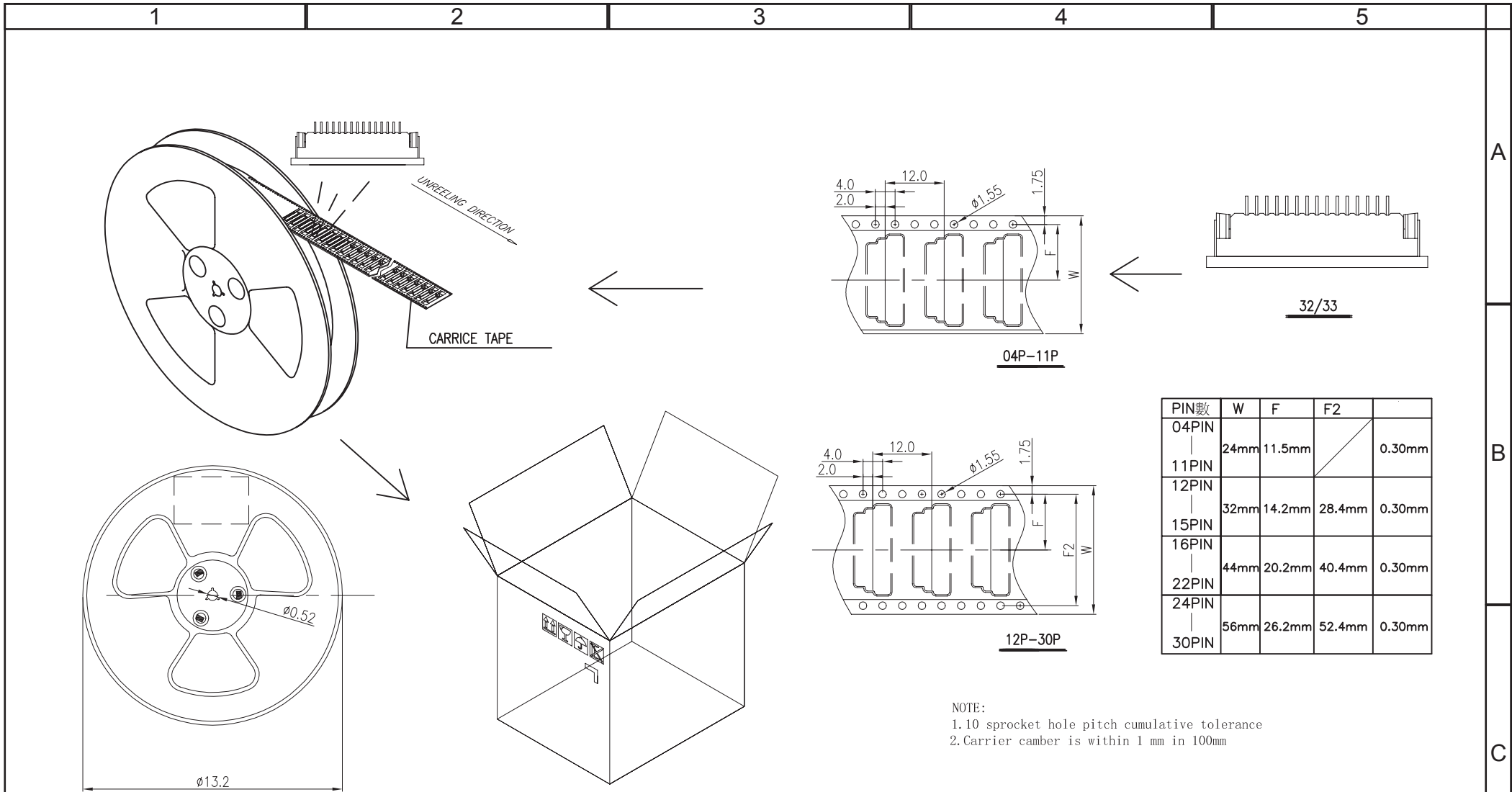
ENVIRONNEMENTAL:
 OPERATING TEMPERATURE: -25°C UP TO 85°C
 FLAMABILITY RATING: UL94-V0
 COMPLIANCE: LEAD FREE AND ROHS

ELECTRICAL:
 CURRENT RATING: 1A
 WORKING VOLTAGE: 125V
 INSULATION RESISTANCE: >100MOHM
 DIELECTRIC WITHSTANDING VOLT.: 500VAC/MN
 CONTACT RESISTANCE: 20mOHM MAX

SOLDERING:
 REFLOW PROCESS ONLY

DIMENSION:
 A = B + 8.00
 B = 1.00 x (NB PINS - 1)
 C = B + 2.1
 D = B + 6.00

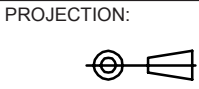
RoHS Compliant				PROJECTION: 	GENERAL TOLERANCE .X = +/- 0.2 .XX = +/- 0.15	
G						
F						
E						
D	29-JUL-08	INSERTION DEPTH	CH	APPROVAL: RJ	UNIT: MM	DESCRIPTION: 1.0MM ZIF FPC HORIZONTAL BOTTOM CONTACT TYPE - TAPE & REEL PACKAGING WERI PART NO: 6861 xx 14422
C	26-NOV-07	MODIFICATIONS	EC			
B	14-MAR-07	CHARACTERISTIC	EC			
A	02-OCT-06	PDF	JP			
REV	DATE	FILE	BY			
DRAW: PEARL						SIZE A4



PIN數	W	F	F2	
04PIN	24mm	11.5mm	/	0.30mm
11PIN				
12PIN	32mm	14.2mm	28.4mm	0.30mm
15PIN				
16PIN	44mm	20.2mm	40.4mm	0.30mm
22PIN				
24PIN	56mm	26.2mm	52.4mm	0.30mm
30PIN				

NOTE:
 1. 1.0 sprocket hole pitch cumulative tolerance
 2. Carrier camber is within 1 mm in 100mm

RoHS Compliant			
G			
F			
E			
D	29-JUL-08	INSERTION DEPTH	CH
C	26-NOV-07	MODIFICATIONS	EC
B	14-MAR-07	CHARACTERISTIC	EC
A	02-OCT-06	PDF	JP
REV	DATE	FILE	BY



GENERAL TOLERANCE
 .X = +/- 0.2
 .XX = +/- 0.15



APPROVAL: RJ

UNIT: MM
 SCALE:
 SHEET: 2/2
 DRAW: PEARL

DESCRIPTION: 1.0MM ZIF FPC HORIZONTAL BOTTOM CONTACT TYPE - TAPE & REEL PACKAGING
 WERI PART NO: 6861 xx 14422

SIZE
A4